

10 9 8 7 6 5 4 3 2 1

F

E

D

C

B

A

F

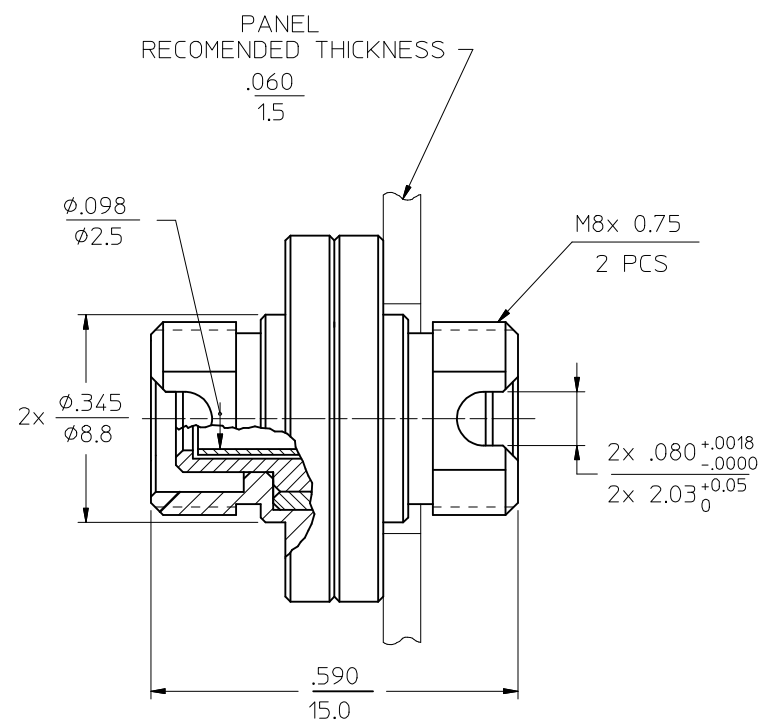
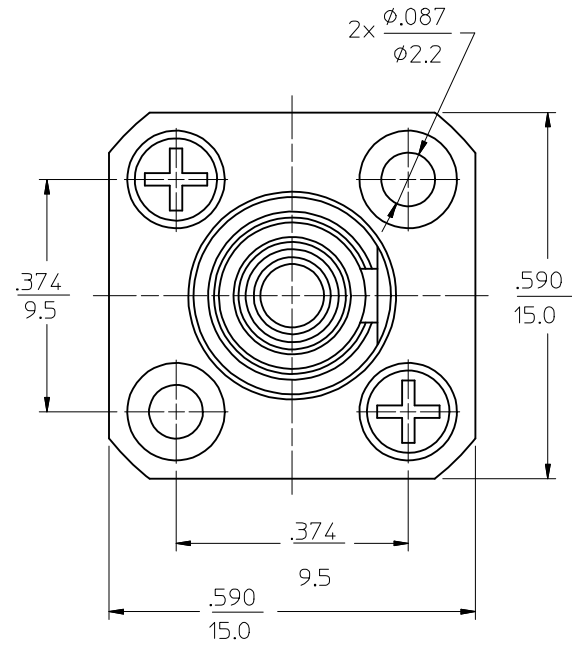
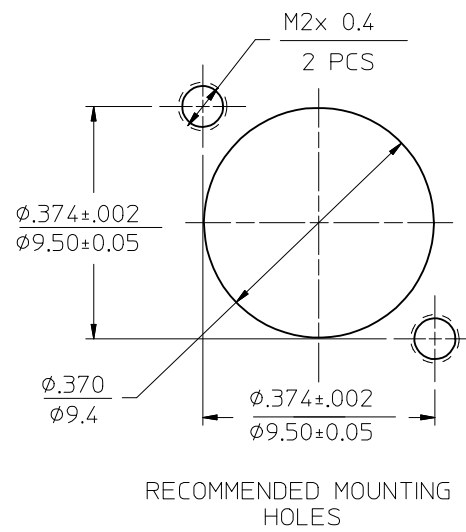
E

D

C

B

A



NOTE:
1. DUST CAPS ARE SHOWN, BUT NOT INCLUDED.

ENTER DESCRIPTION EC NO: MF2009-0610 DR: MANKPEVZNER 2009/05/12 CHKD: 2009/05/12 APPR: LGUMIN 2009/05/13 A1	QUALITY SYMBOLS ▽=0 ▽=0	GENERAL TOLERANCES (UNLESS SPECIFIED) mm INCH 4 PLACES ± --- ± --- 3 PLACES ± --- ± --- 2 PLACES ± --- ± --- 1 PLACE ± --- ± --- ANGULAR ±1/2°	DIMENSION STYLE IN/MM DRAWN BY DATE PGIBL IN 2005/10/25 CHECKED BY DATE APPROVED BY DATE	SCALE 5:1 TITLE FC ADAPTER (TIGHT FIT KEY)	DESIGN UNITS INCH THIRD ANGLE PROJECTION
	DRAFT WHERE APPLICABLE MUST REMAIN WITHIN DIMENSIONS		MATERIAL NO. 1061522000	DOCUMENT NO. SD-106152-2000	SHEET NO. 1 OF 01
	Molex MOLEX INCORPORATED				
	THIS DRAWING CONTAINS INFORMATION THAT IS PROPRIETARY TO MOLEX INCORPORATED AND SHOULD NOT BE USED WITHOUT WRITTEN PERMISSION				

9 8 7 6 5 4 3 2 1