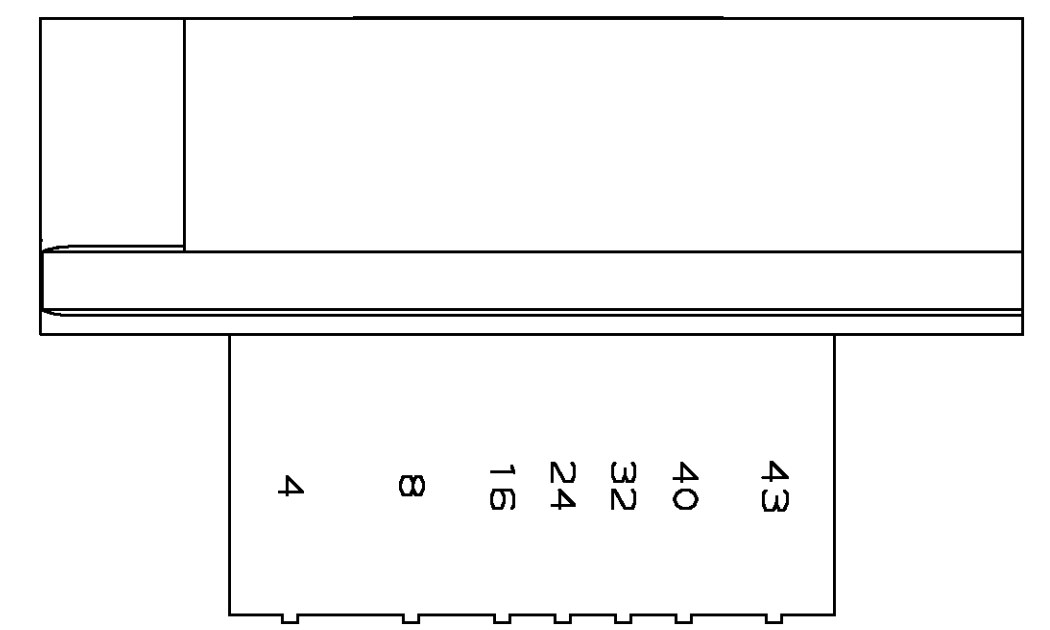
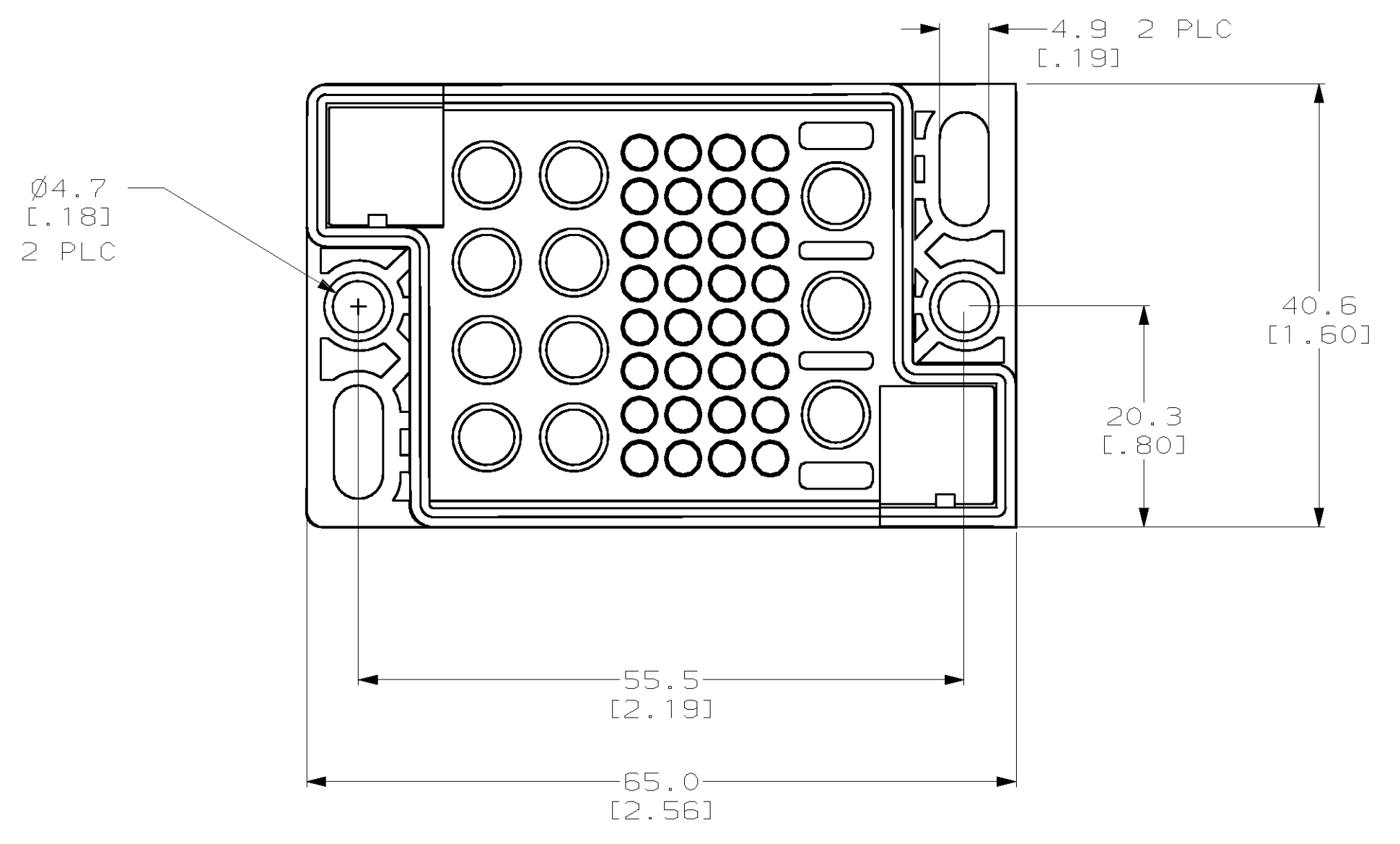
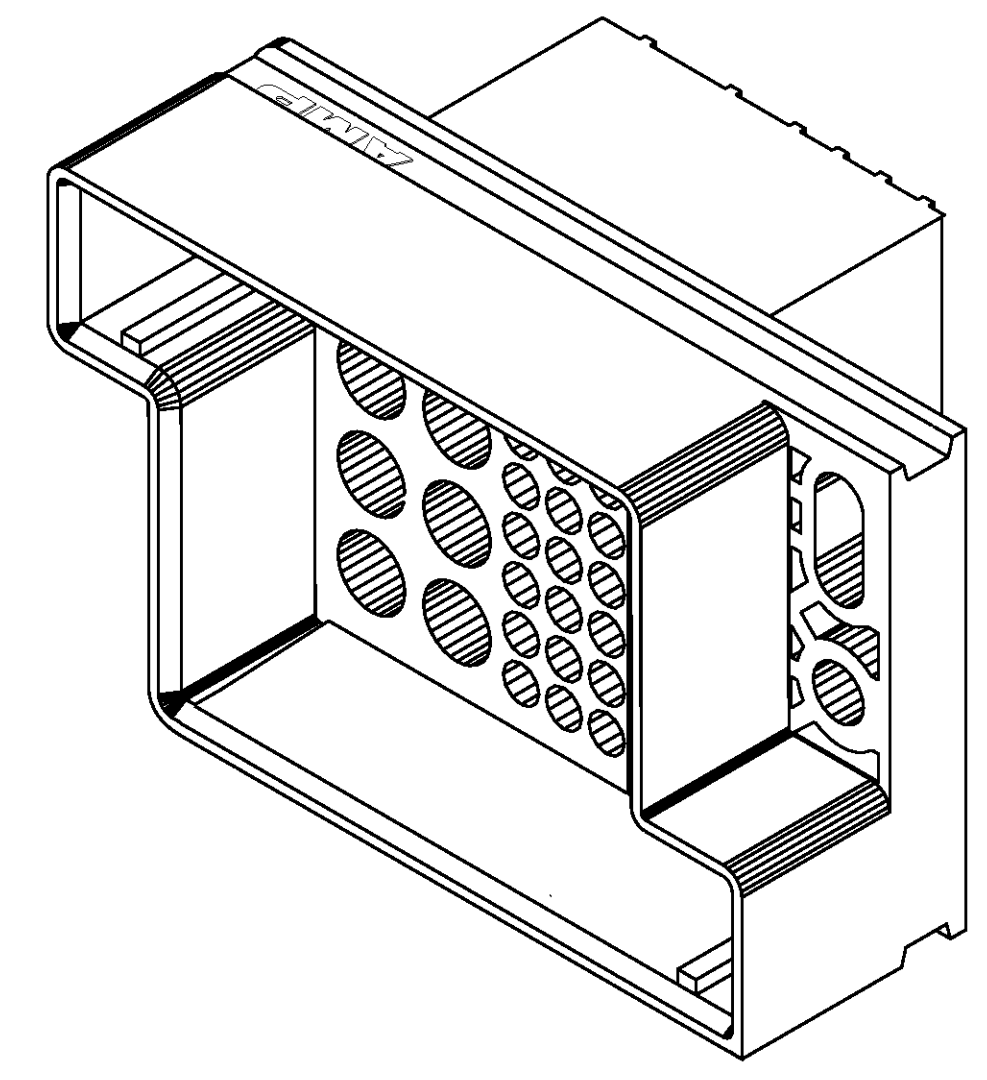
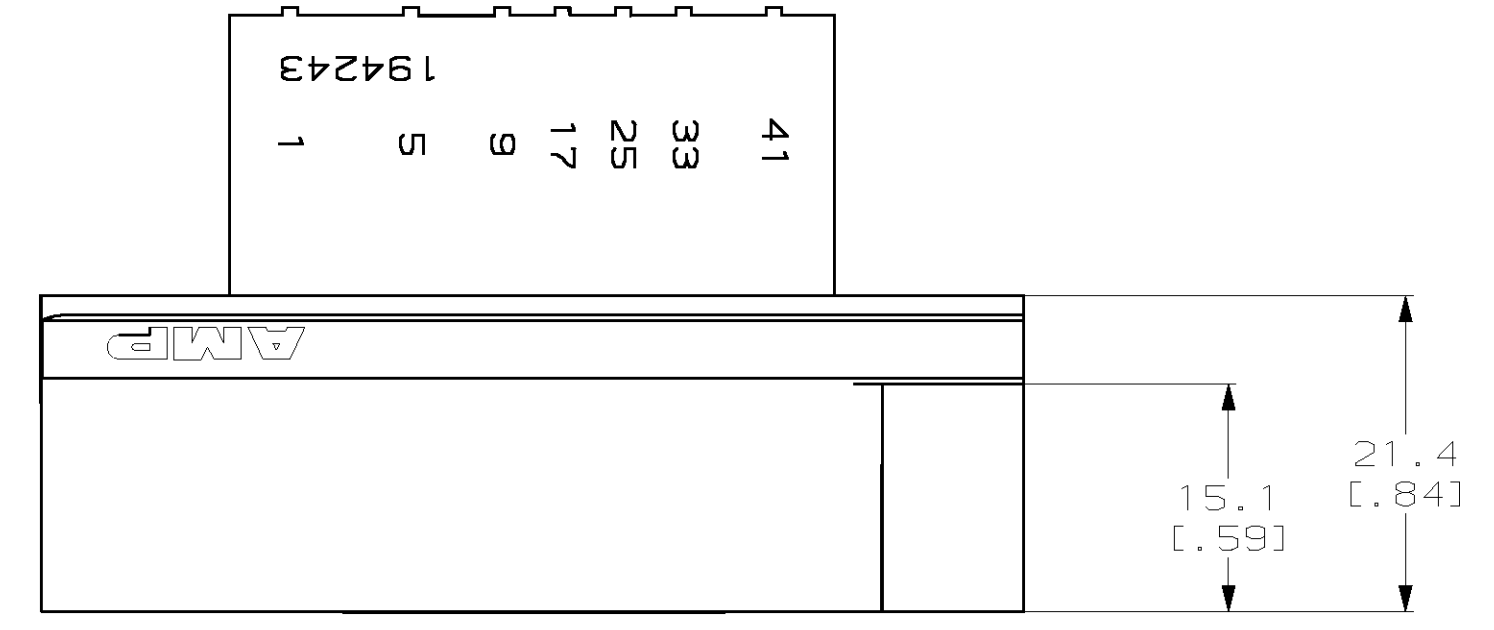


REVISIONS					
CH	NO	DATE	DESCRIPTION	BY	APPD
A	EC	0B20-0551-97	25/APR/97	RNP	RAR
B	EC	0B20-0126-98	22/JAN/98	DAP	RAR
C	EC	0B20-0188-98	22/JAN/98	DAP	RAR
D	EC	0B20-0093-99	20/JAN/99	RNP	RAR

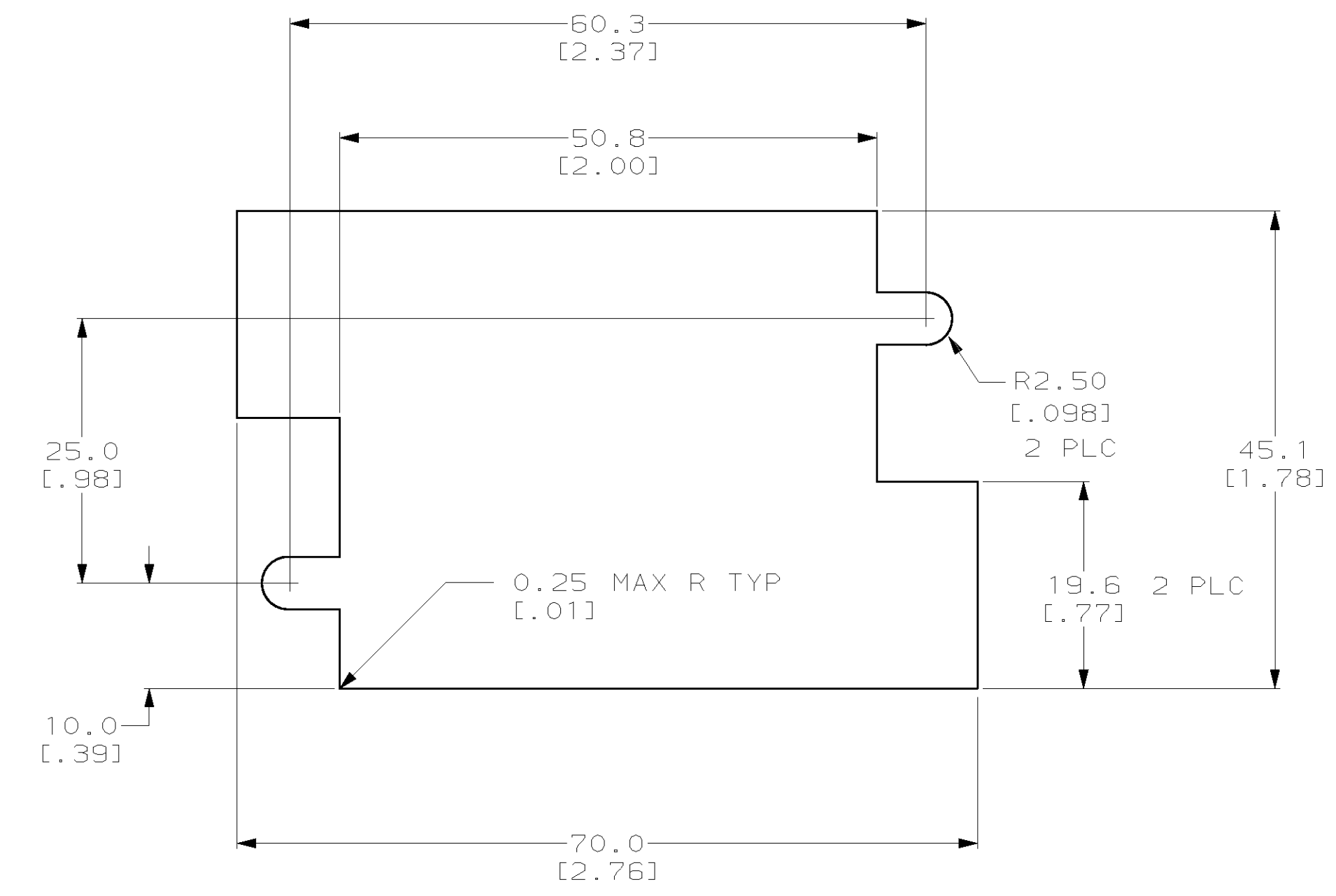
* AMPPOWER is a trademark



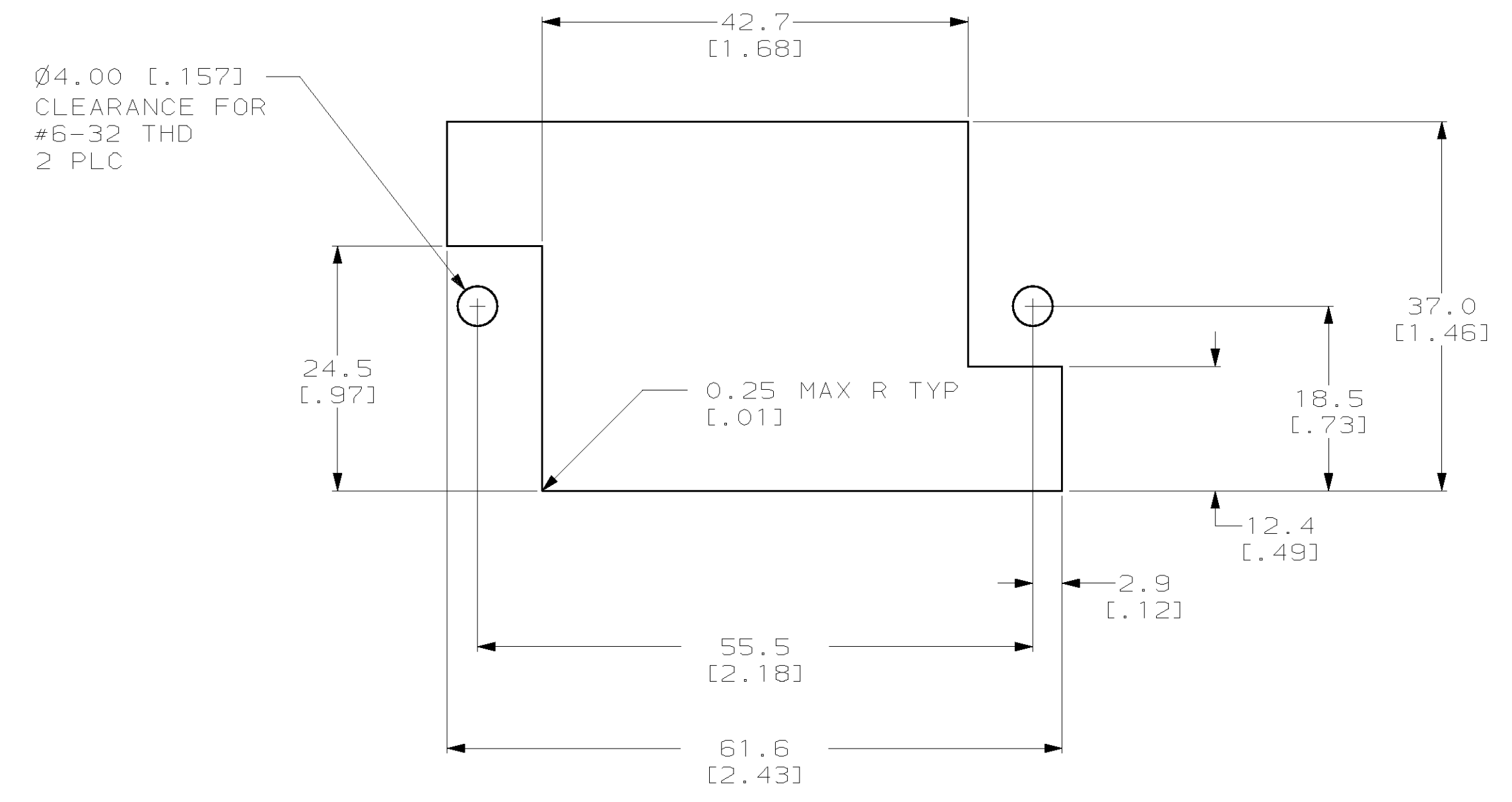
194243-1
PART NO

- POSITIONS 1-8 ARE FOR 3mm CONTACTS.
- POSITIONS 9-40 ARE FOR SIZE 16 CONTACTS.
- POSITIONS 41-43 ARE FOR 3mm CONTACTS.
- INSERTS ARE NOT REQUIRED WHEN FLOAT MOUNTING.
- ALL DIMENSIONS EXCEPT PANEL CUTOUTS ARE REFERENCE ONLY.

<small>THIS DRAWING IS A CONTROLLED DOCUMENT AND IS UNPUBLISHED. IT IS SUBJECT TO CHANGE AND THE CONTROLLING ENGINEERING DEPARTMENT SHALL BE CONTACTED FOR THE LATEST REVISION.</small>		DWN: R N POLK CHK: 25APR97 APPD: - DATE: - PRODUCT SPEC: - APPLICATION SPEC: - ANGLE: - FINISH: - WEIGHT: - CUSTOMER DRAWING	AMP AMP Incorporated Harrisburg, PA 17105-3608 AMPPOWER* Multi Pin Plus HOUSING, RECEPTACLE SIZE: A1 CAGE CODE: 00779 DRAWING NO: C=194243 SCALE: 2:1 SHEET: 12 REV: 0
---	--	---	--



RECOMMENDED FLOAT MOUNT PANEL CUTOUT #5
 EXTERNAL VIEW



RECOMMENDED STATIONARY MOUNT PANEL CUTOUT #6
 EXTERNAL VIEW

THIS DRAWING IS A CONTROLLED DOCUMENT.		Dwn	R N POLK	25/APR/97
DIMENSIONS:		CHK	-	-
mm (in)	TOLERANCES UNLESS OTHERWISE SPECIFIED:	APVD	-	-
0 PLC	±	PRODUCT SPEC	-	-
1 PLC	±	APPLICATION SPEC	-	-
2 PLC	±	SCALE	2/1	SHEET 22
3 PLC	±	REV	C	REV
4 PLC	±	CUSTOMER DRAWING		
MATERIAL	FINISH	WEIGHT	-	-
AMP 4805 REV 23FEB95		AMP Incorporated Harrisburg, PA 17105-3608 NAME: AMPPOWER Multi Pin Plus HOUSING, RECEPTACLE SIZE: A1 CAGE CODE: 00779 DRAWING NO: 194243 SCALE: 2/1 SHEET 22 OF 22 REV C		