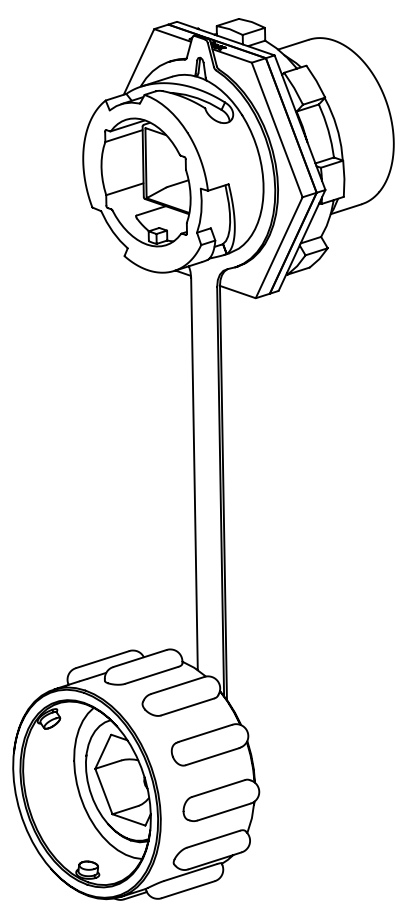
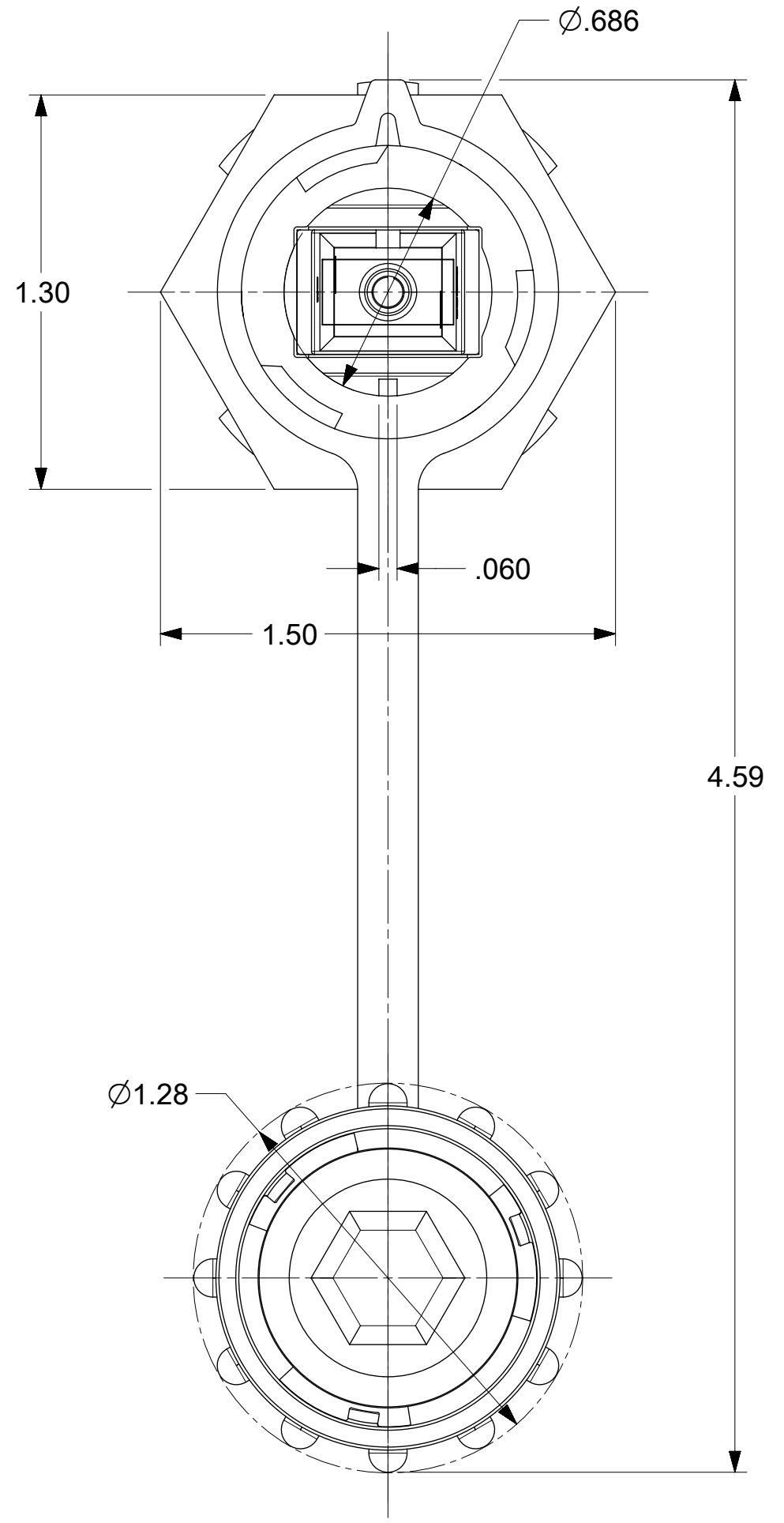
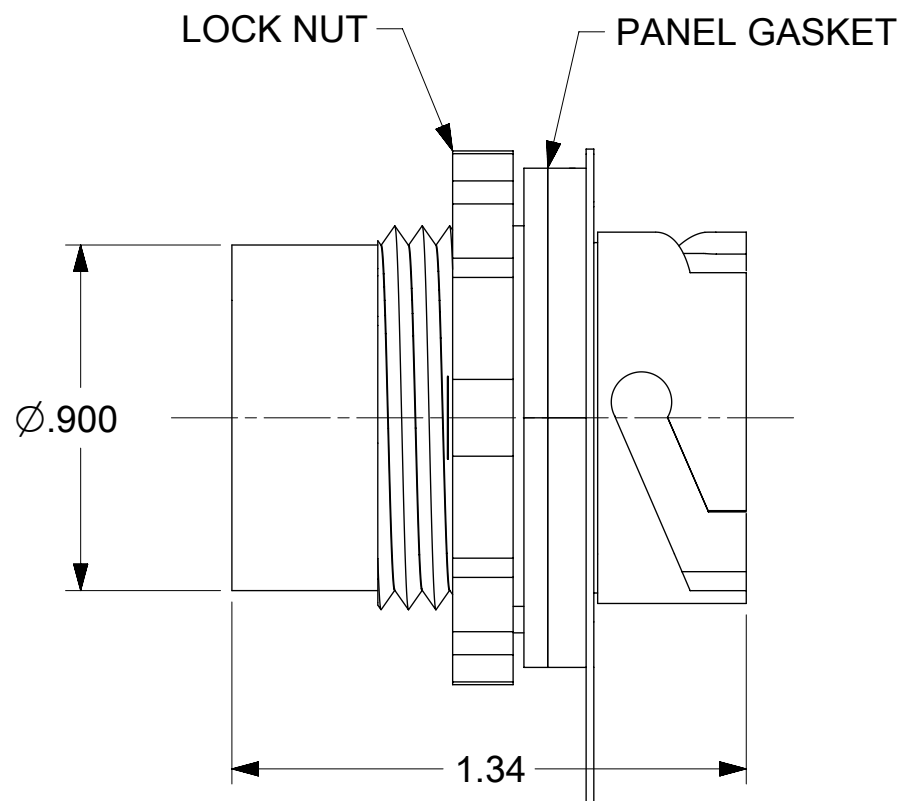
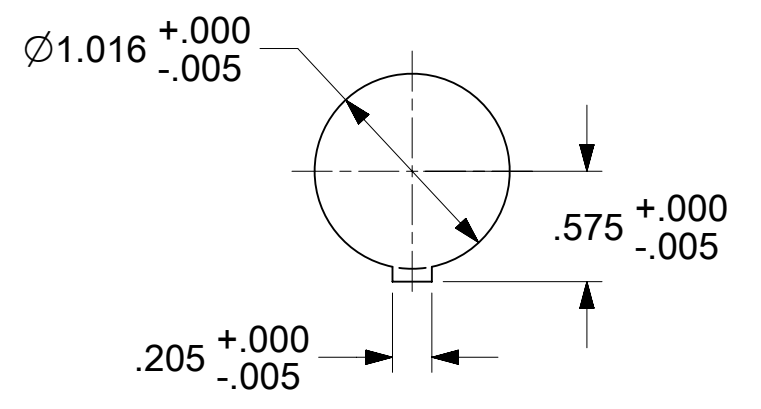


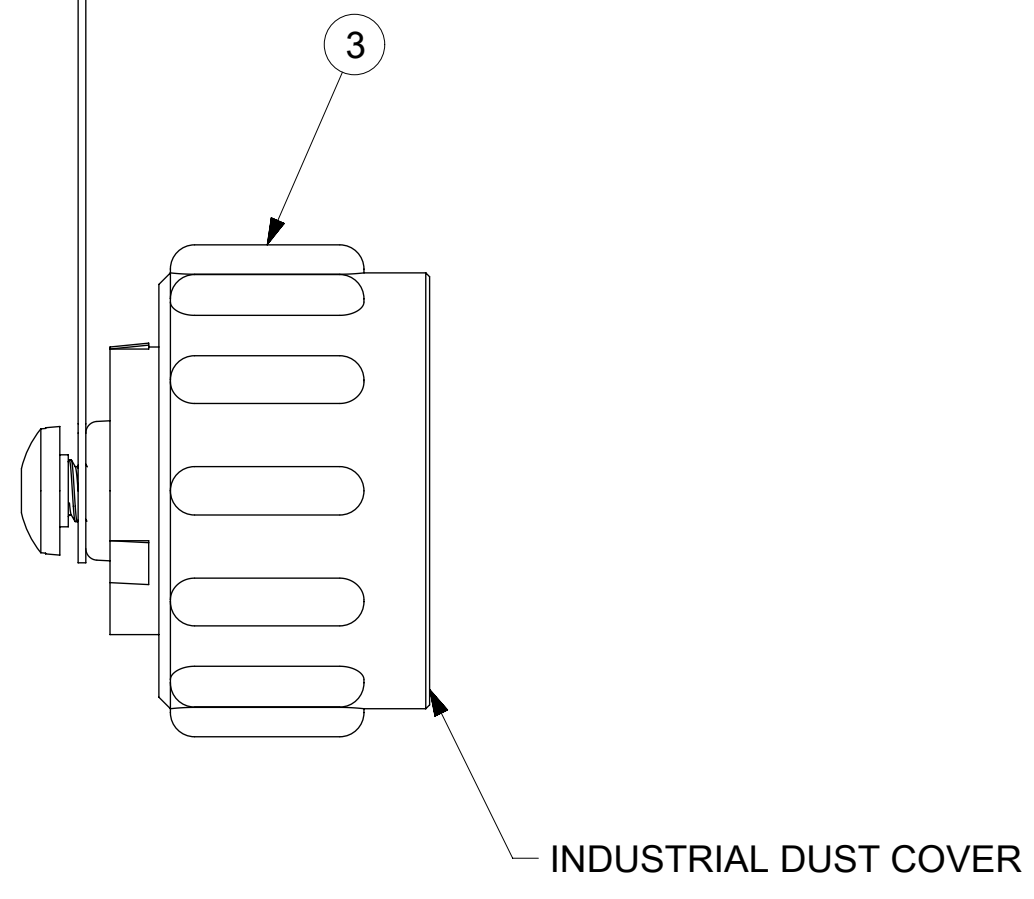
ADAPTER P/N	ADAPTER TYPE
1060592030	SINGLE MODE
1060592032	APC



ISOMETRIC VIEWS
SCALE 1:1



RECOMMENDED MOUNTING CUTOUT
SCALE: 1:1



NOTES:
1. ALL DIMENSIONS ARE FOR REFERENCE ONLY.
2. SC ADAPTER DUST CAPS ARE NOT SHOWN.

THIS DRAWING CONTAINS INFORMATION THAT IS PROPRIETARY TO MOLEX ELECTRONIC TECHNOLOGIES, LLC AND SHOULD NOT BE USED WITHOUT WRITTEN PERMISSION									
DIMENSION UNITS		SCALE		CURRENT REV DESC: REMOVED OBSOLETE PART NUMBER AS PER PCN #511691					
INCH		2:1							
GENERAL TOLERANCES (UNLESS SPECIFIED)				EC NO: 737858		2023/02/13		SC INDUSTRIAL ADAPTER	
				DRWN: SANTHN		2023/02/24			
				CHK'D: GGA		2023/02/24		PRODUCT CUSTOMER DRAWING	
				APPR: GGA		2023/02/24			
				INITIAL REVISION:				DOCUMENT NUMBER SD-106059-203X	
				DRWN: D.B		09/07/2006			
				APPR: I.G		09/07/2006		DOC TYPE PSD	
				ANGULAR TOL ± 0.5°				DOC PART 001	
DRAFT WHERE APPLICABLE MUST REMAIN WITHIN DIMENSIONS				THIRD ANGLE PROJECTION		DRAWING		REVISION B	
						SERIES C-SIZE 106059		SHEET NUMBER 1 OF 1	
MATERIAL NUMBER		CUSTOMER		SEE TABLE		GENERAL MARKET			

DOCUMENT STATUS	P1	RELEASE DATE	2023/02/24	09:13:37
-----------------	----	--------------	------------	----------