

Customer Information Sheet

DRAWING No.: M80-614XXXX

SHEET 2 OF 2

IF IN DOUBT - ASK

©

NOT TO SCALE

THIRD ANGLE PROJECTION

ALL DIMENSIONS IN mm

SPECIFICATION

MATERIALS:
 MOULDING = HIGH-TEMP. POLYAMIDE 46 UL94V-0
 CLIP = BERYLLIUM COPPER
 BODY = BRASS

FINISH:
 01 = 3.5µ 90/10 TIN/LEAD BODY, 0.3µ GOLD CLIP
 42 = 3.5/5.0µ 100% TIN BODY, 0.3µ GOLD CLIP
 45 = 0.25/0.3µ GOLD BODY, 0.3µ GOLD CLIP

ELECTRICAL:
 CURRENT RATING AT 25°C = 3.0A MAX
 CURRENT RATING AT 85°C = 2.2A MAX
 WORKING VOLTAGE = 120V AC/DC
 VOLTAGE PROOF = 360V AC/DC

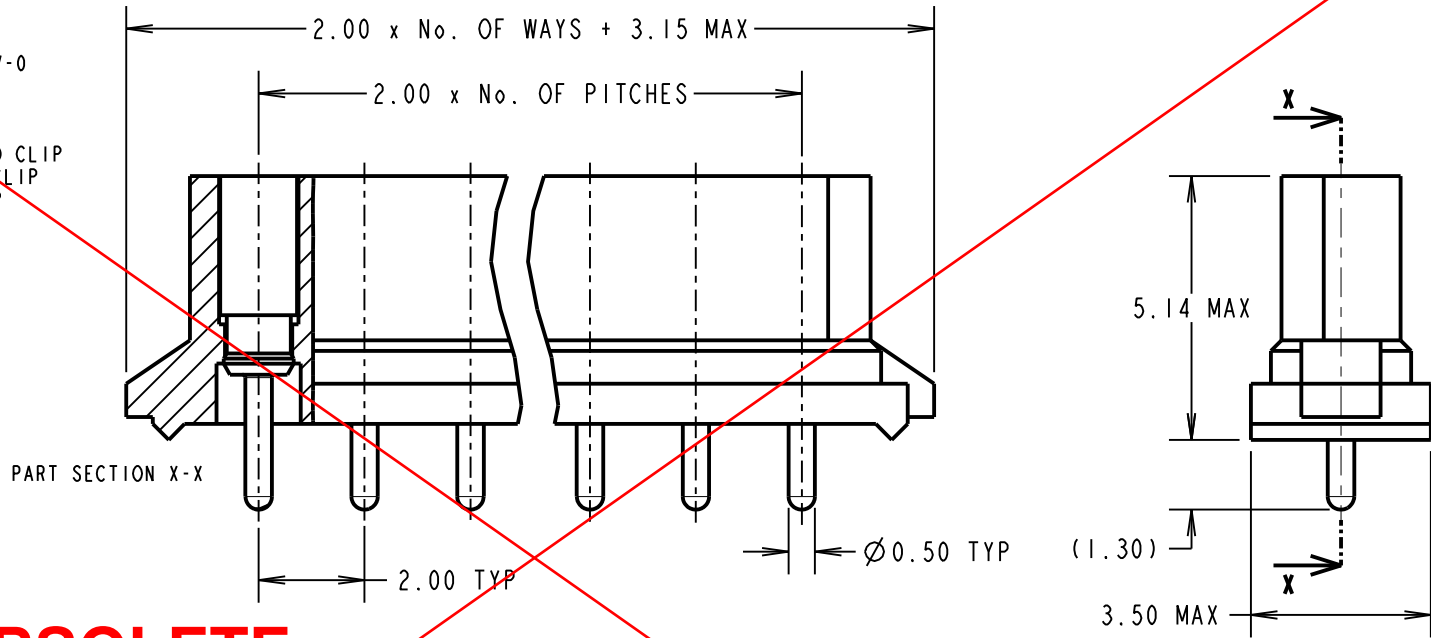
CONTACT RESISTANCE:
 INITIAL = 20mΩ MAX
 AFTER CONDITIONING = 25mΩ MAX

INSULATION RESISTANCE:
 INITIAL = 1000MΩ MIN
 AFTER CONDITIONING = 100MΩ MIN

MECHANICAL:
 DURABILITY = 500 OPERATIONS
 INSERTION FORCE = 2.8N MAX, 1.0N MIN
 WITHDRAWAL FORCE = 1.8N MAX, 0.2N MIN

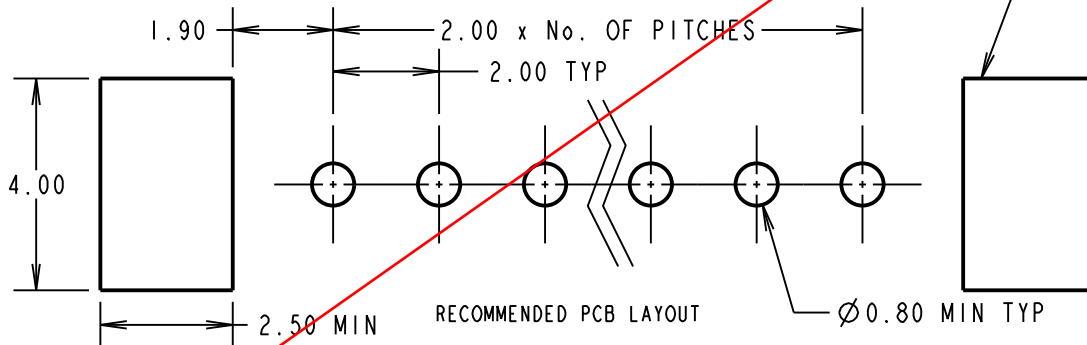
ENVIRONMENTAL:
 TEMPERATURE RANGE = -55°C TO +125°C

PACKING:
 TUBE
 FOR COMPLETE SPECIFICATION SEE
 COMPONENT SPECIFICATION C005XX
 (LATEST ISSUE)



OBSOLETE

(OPTIONAL) HOLES REQUIRED FOR
 USE WITH LATCHED MALE CONNECTORS



ORDER CODE:

M80-614XXXX

No. OF WAYS
 02-07, 17

FINISH
 01 = GOLD CLIP, TIN/LEAD SHELL
 42 = 100% TIN SHELL, GOLD CLIP
 45 = GOLD SHELL, GOLD CLIP

SB	6	28.06.11	11350
NAME	ISS.	DATE	C/NOTE
APPROVED:		S. BENNETT	
CHECKED:		S. FLOWER	
DRAWN:		W. J. BOURNE	
CUSTOMER REF.:			
ASSEMBLY DRG.:			

HARWIN

HARWIN USA
 TEL: 603 893 5376
 FAX: 603 893 5396
 mis@harwin.com

HARWIN Europe (UK)
 TEL: 023 9231 4545
 FAX: 023 9231 4590
 mis@harwin.co.uk

HARWIN Asia
 TEL: +65 6 779 4909
 FAX: +65 6 779 3868
 mis@harwin.com.sg

THIS DRAWING AND ANY
 INFORMATION OR DESCRIPTIVE
 MATTER SET OUT HEREON ARE
 CONFIDENTIAL AND COPYRIGHT
 PROPERTY OF THE HARWIN
 GROUP AND MUST NOT BE
 DISCLOSED, LOANED, COPIED
 OR USED FOR MANUFACTURING,
 TENDERING OR FOR ANY
 OTHER PURPOSE WITHOUT
 THEIR WRITTEN PERMISSION.

TOLERANCES
 X. = ±1mm
 X.X = ±0.25mm
 X.XX = ±0.10mm
 X.XXX = ±0.01mm
 ANGLES = ±5°
 UNLESS STATED

MATERIAL:
 SEE ABOVE

FINISH: SEE ABOVE

S/AREA: mm²

TITLE:
 DATAMATE SIL
 FEMALE PC TAIL ASSEMBLY

DRAWING NUMBER:
M80-614XXXX

SHT
 2 OF 2