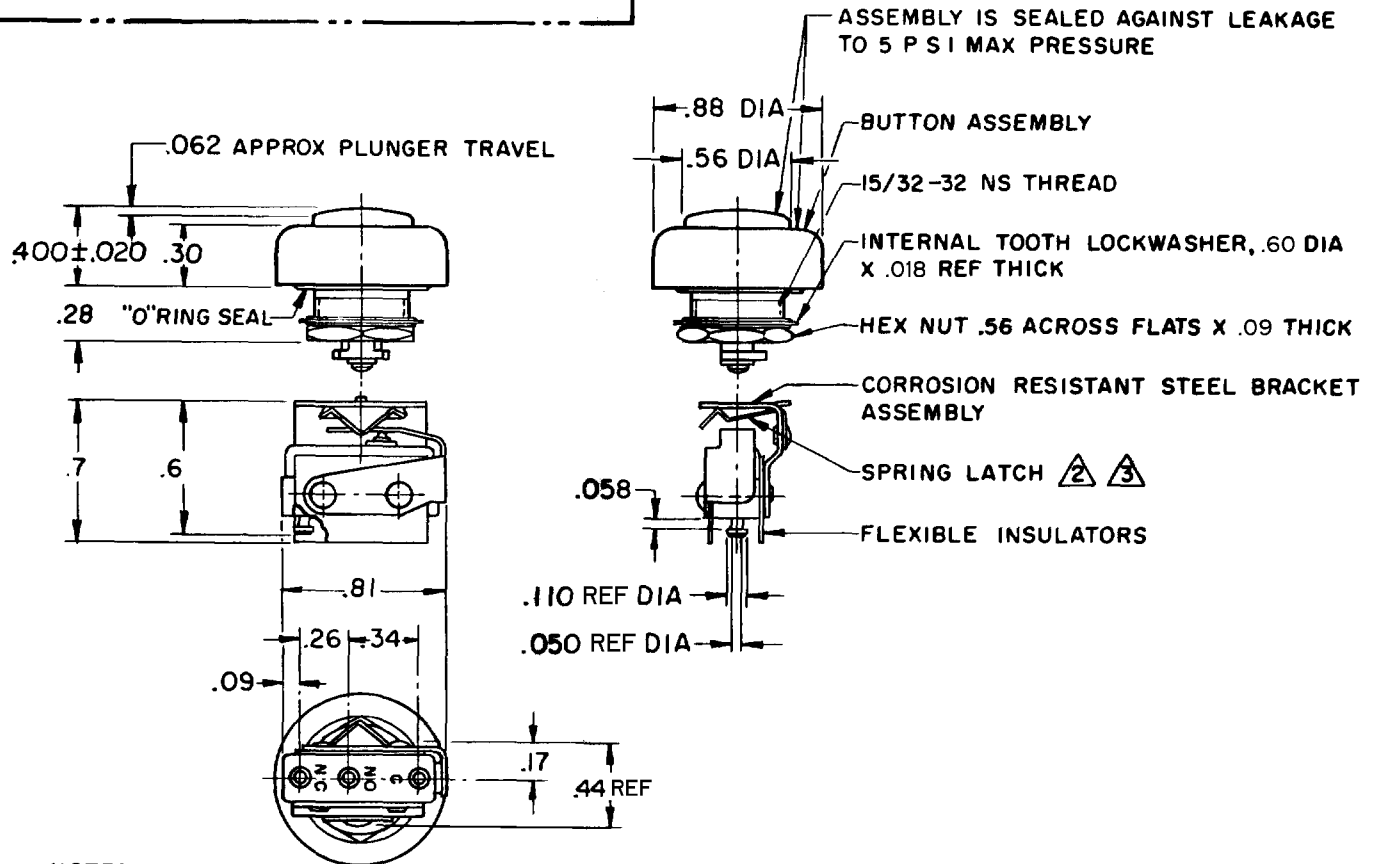
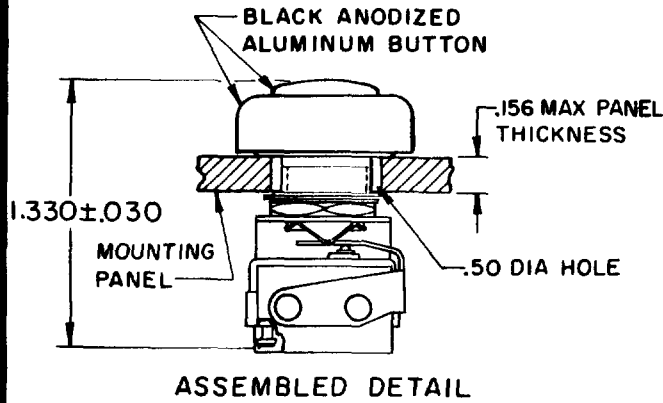


MICRO SWITCH

FREEMONT ILLINOIS, U.S.A.
A DIVISION OF HONEYWELL
FED. MFG. CODE 91929

ASSEMBLY - PUSHBUTTON SWITCH

CATALOG LISTING
IPB403-T



NOTES

- 1- UNIT INCLUDES CATALOG LISTING 11SM TYPE BASIC SWITCH
- 2 SPRING LATCH PERMITS ASSEMBLY AND DISASSEMBLY AS REQUIRED
- 3 "D" SHAPED HOLE IN SPRING LATCH PREVENTS ROTATION BETWEEN THE TWO PARTS
- 4- ASSEMBLY IS COMPLETED AFTER INSTALLING BUTTON TO PANEL
- 5- TERMINALS ARE PLATED FOR SOLDERING
- 6- BASIC SWITCH HAS 24K SOLID GOLD CONTACTS

THIS DRAWING COVERS A PROPRIETARY ITEM AND IS THE PROPERTY OF MICRO SWITCH, A DIVISION OF HONEYWELL. THIS DRAWING IS NOT TO BE COPIED OR USED WITHOUT THE APPROVAL OF MICRO SWITCH.

CHARACTERISTICS

OPERATING FORCE - - - - - 2 LB MAX

ELECTRICAL DATA

CONTACT ARRANGEMENT
S P D T

30 VOLTS DC RATING

INDUCTIVE - - - - - SEA LEVEL - - - 1/2 AMP
50,000 FT - - - 1/2 AMP
RESISTIVE - - - - - SE LEVEL - - - 1 AMP
50,000 FT - - - 1 AMP
MAXIMUM INRUSH - - - - - 2 AMP

SCALE FULL

DO NOT SCALE PRINT

UNLESS OTHERWISE NOTED
DIMENSIONS ARE IN INCHES

TOLERANCES ARE:

ONE PLACE (.0) ± .030
TWO PLACE (.00) ± .015
THREE PLACE (.000) ± .005
ANGLES ±

WEIGHT

IPB403-T

PAGE 1 OF 1

M

DRAWING NUMBER

ISSUE 2

REVISIONS

A C095143
DLT
15 JUL 99

REPLACES

PR-695

RELEASE NO.

CHECK

CHECK

6 MAY 69

DCS

CHECK

69

M B S 2 MAY 69

CHECK

FORMTEK

0-50378-1A

DRAWN