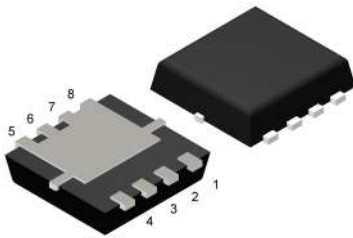
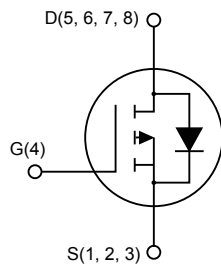


P-channel 30 V, 24 mΩ typ., 6 A STripFET H6 Power MOSFET in a PowerFLAT 3.3 x 3.3 package



PowerFLAT 3.3x3.3



AM01475v4


Product status link
[STL6P3LLH6](#)
Product summary

Order code	STL6P3LLH6
Marking	6P3L
Package	PowerFLAT 3.3 x 3.3
Packing	Tape and reel

Note: For the P-channel Power MOSFETs the actual polarity of the voltages and the current must be reversed.

Features

Order code	V _{DS}	R _{DS(on)} max.	I _D	P _{TOT}
STL6P3LLH6	30 V	30 mΩ	6 A	2.9 W

- Very low on-resistance
- Very low gate charge
- High avalanche ruggedness
- Low gate drive power loss

Applications

- Switching applications

Description

This device is a P-channel Power MOSFET developed using the STripFET H6 technology with a new trench gate structure. The resulting Power MOSFET exhibits very low R_{DS(on)} in all packages.

1 Electrical ratings

Table 1. Absolute maximum ratings

Symbol	Parameter	Value	Unit
V_{DS}	Drain-source voltage	30	V
V_{GS}	Gate-source voltage	± 20	V
$I_D^{(1)}$	Drain current (continuous) at $T_C = 25\text{ }^\circ\text{C}$	6	A
	Drain current (continuous) at $T_C = 100\text{ }^\circ\text{C}$	3.8	A
$I_{DM}^{(1)(2)}$	Drain current (pulsed)	24	A
P_{TOT}	Total power dissipation at $T_C = 25\text{ }^\circ\text{C}$	2.9	W
T_{stg}	Storage temperature	- 55 to 150	$^\circ\text{C}$
T_J	Max. operating junction temperature	150	$^\circ\text{C}$

1. The value is rated according $R_{thj-pcb}$.
2. Pulse width limited by safe operating area.

Table 2. Thermal data

Symbol	Parameter	Value	Unit
$R_{thj-case}$	Thermal resistance junction-case max	2.50	$^\circ\text{C/W}$
$R_{thj-pcb}^{(1)}$	Thermal resistance junction-pcb, single operation	42.8	$^\circ\text{C/W}$

1. When mounted on FR-4 board of 1inch², 2oz Cu, $t < 10$ sec.

Note: For the P-channel Power MOSFETs the actual polarity of the voltages and the current must be reversed.

2 Electrical characteristics

($T_C = 25\text{ °C}$ unless otherwise specified)

Table 3. On /off states

Symbol	Parameter	Test conditions	Min.	Typ.	Max.	Unit
$V_{(BR)DSS}$	Drain-source breakdown voltage	$V_{GS} = 0\text{ V}$, $I_D = 250\text{ }\mu\text{A}$	30			V
I_{DSS}	Zero gate voltage drain current	$V_{GS} = 0\text{ V}$, $V_{DS} = 30\text{ V}$			1	μA
		$V_{GS} = 0\text{ V}$, $V_{DS} = 30\text{ V}$, $T_C = 125\text{ °C}$			10	μA
I_{GSS}	Gate-body leakage current	$V_{DS} = 0\text{ V}$, $V_{GS} = \pm 20\text{ V}$			± 100	nA
$V_{GS(th)}$	Gate threshold voltage	$V_{DS} = V_{GS}$, $I_D = 250\text{ }\mu\text{A}$	1			V
$R_{DS(on)}$	Static drain-source on-resistance	$V_{GS} = 10\text{ V}$, $I_D = 3\text{ A}$		24	30	m Ω
		$V_{GS} = 4.5\text{ V}$, $I_D = 3\text{ A}$		38	50	m Ω

Table 4. Dynamic

Symbol	Parameter	Test conditions	Min.	Typ.	Max.	Unit
C_{iss}	Input capacitance	$V_{DS} = 25\text{ V}$, $f = 1\text{ MHz}$, $V_{GS} = 0\text{ V}$	-	1450	-	pF
C_{oss}	Output capacitance		-	178	-	pF
C_{rSS}	Reverse transfer capacitance		-	120	-	pF
Q_g	Total gate charge	$V_{DD} = 24\text{ V}$, $I_D = 6\text{ A}$, $V_{GS} = 4.5\text{ V}$ (see Figure 12. Switching times test circuit for resistive load)	-	12	-	nC
Q_{gs}	Gate-source charge		-	4.4	-	nC
Q_{gd}	Gate-drain charge		-	5	-	nC

Table 5. Switching times

Symbol	Parameter	Test conditions	Min.	Typ.	Max.	Unit
$t_{d(on)}$	Turn-on delay time	$V_{DD} = 24\text{ V}$, $I_D = 3\text{ A}$, $R_G = 4.7\text{ }\Omega$, $V_{GS} = 10\text{ V}$	-	15	-	ns
t_r	Rise time		-	15	-	ns
$t_{d(off)}$	Turn-off delay time		-	24	-	ns
t_f	Fall time		-	21	-	ns

Note: For the P-channel Power MOSFETs the actual polarity of the voltages and the current must be reversed.

Table 6. Source drain diode

Symbol	Parameter	Test conditions	Min.	Typ.	Max.	Unit
V_{SD}	Forward on voltage	$I_{SD} = 6\text{ A}$, $V_{GS} = 0\text{ V}$	-		1.1	V
t_{rr}	Reverse recovery time	$I_{SD} = 6\text{ A}$, $di/dt = 100\text{ A}/\mu\text{s}$ $V_{DD} = 16\text{ V}$, $T_J = 150\text{ }^\circ\text{C}$	-	15		ns
Q_{rr}	Reverse recovery charge		-	6.5		nC
I_{RRM}	Reverse recovery current		-	0.9		A

Note: For the P-channel Power MOSFETs the actual polarity of the voltages and the current must be reversed.

2.1 Electrical characteristics (curves)

Figure 1. Safe operating area

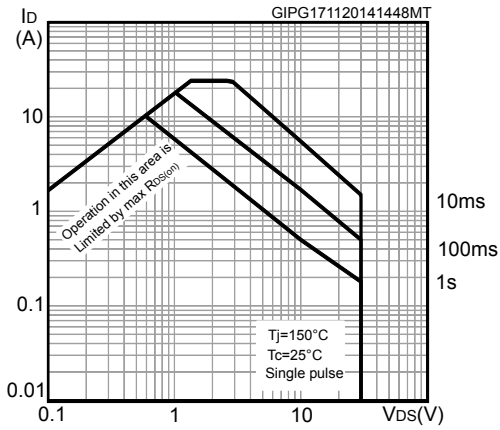


Figure 2. Thermal impedance

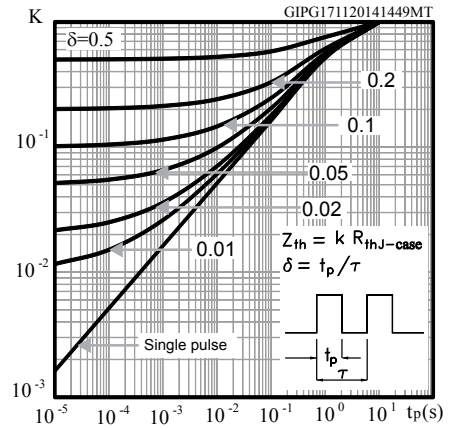


Figure 3. Output characteristics

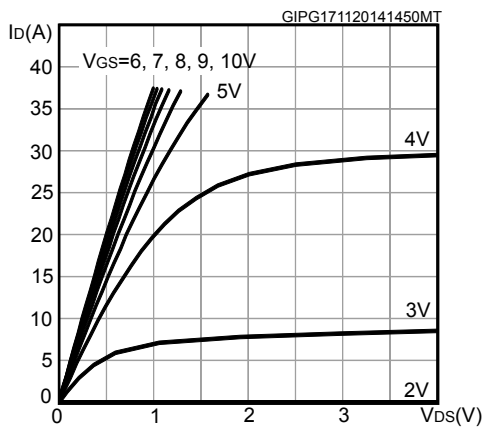


Figure 4. Transfer characteristics

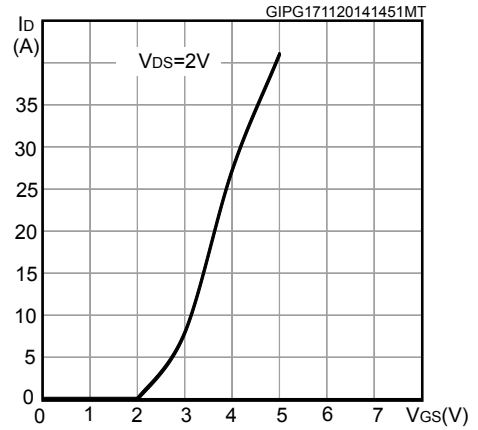


Figure 5. Gate charge vs gate-source voltage

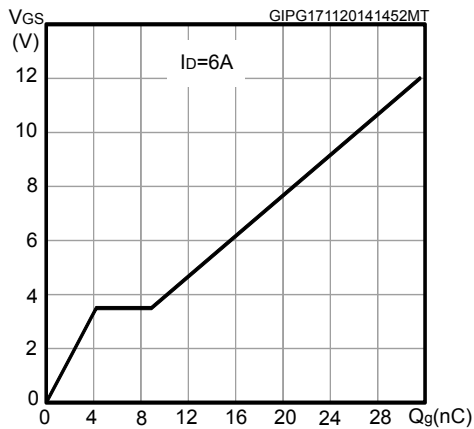


Figure 6. Static drain-source on-resistance

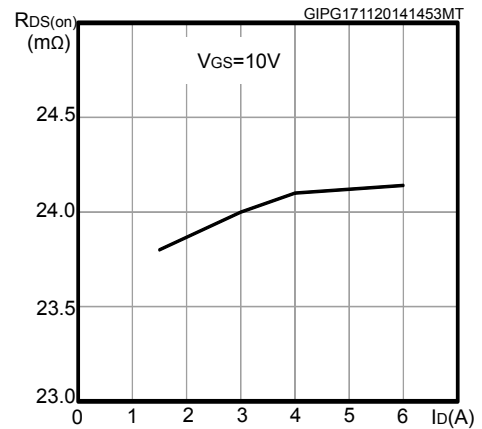


Figure 7. Capacitance variations

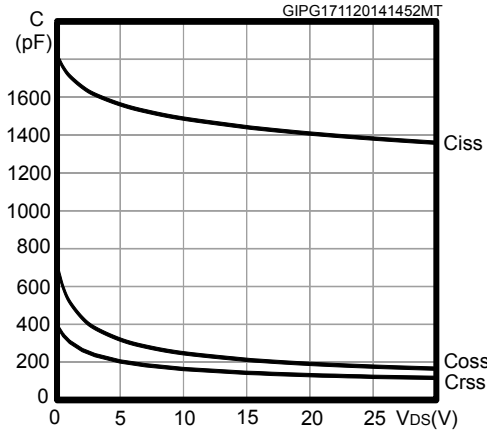


Figure 8. Normalized gate threshold voltage vs temperature

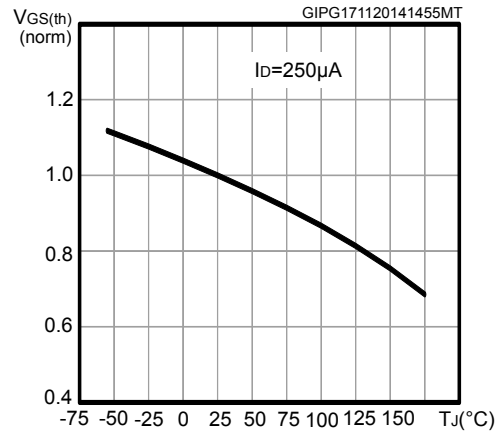


Figure 9. Normalized on-resistance vs temperature

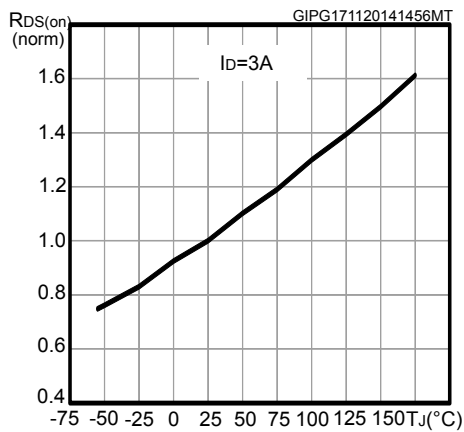


Figure 10. Normalized V_{DS} vs temperature

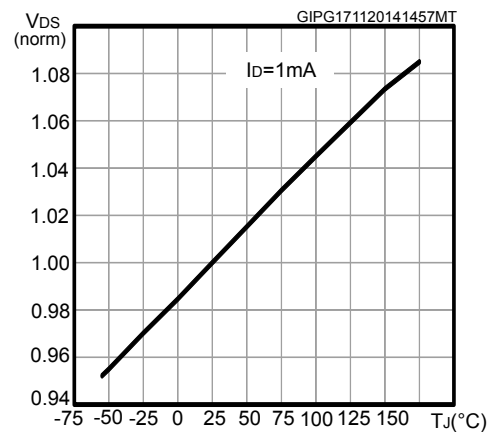
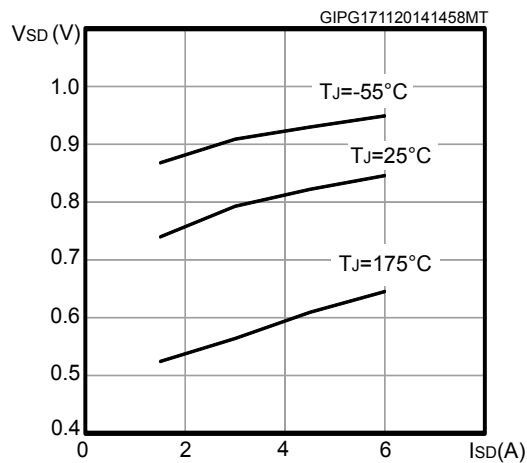
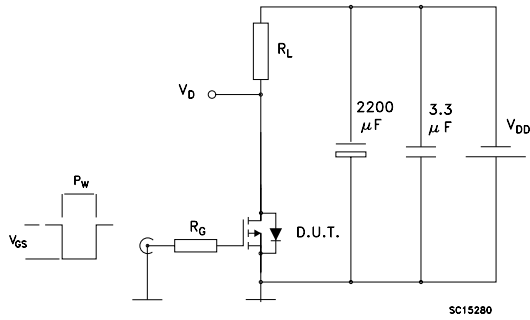


Figure 11. Source-drain diode forward characteristics



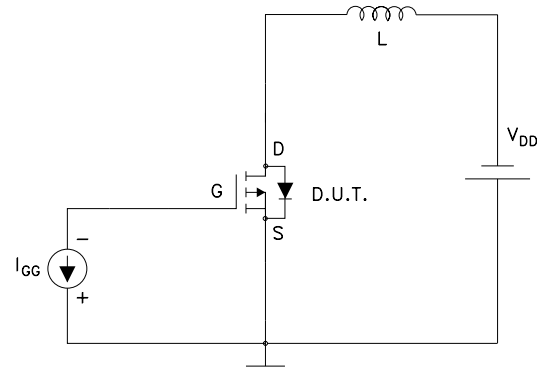
3 Test circuits

Figure 12. Switching times test circuit for resistive load



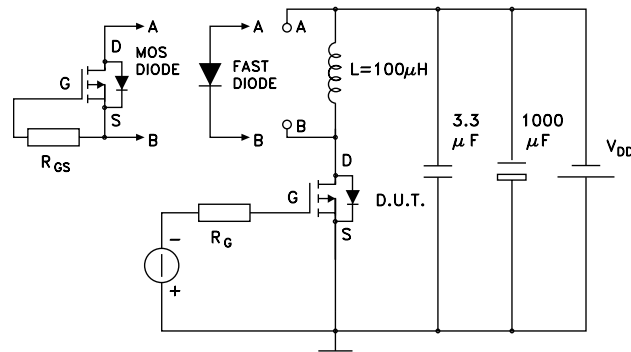
SC15280

Figure 13. Gate charge test circuit



SC15290

Figure 14. Test circuit for inductive load switching and diode recovery times



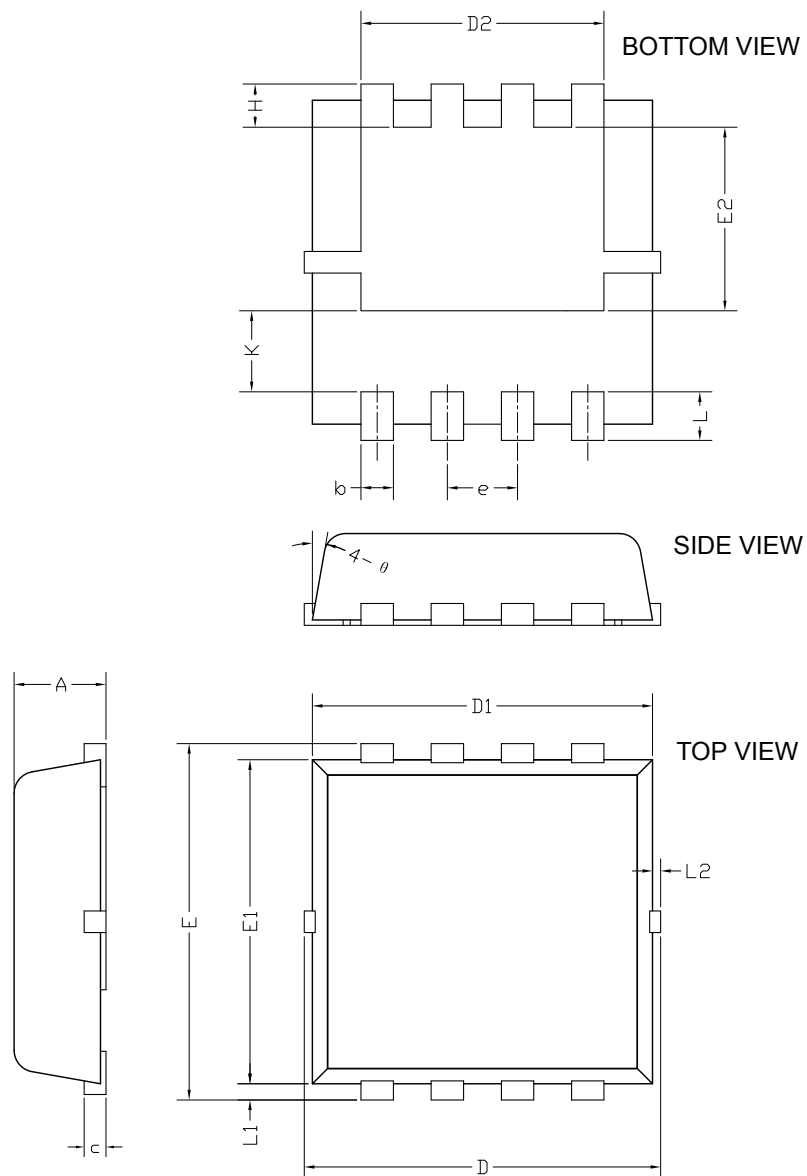
SC15300

4 Package information

In order to meet environmental requirements, ST offers these devices in different grades of **ECOPACK** packages, depending on their level of environmental compliance. ECOPACK specifications, grade definitions and product status are available at: www.st.com. ECOPACK is an ST trademark.

4.1 PowerFLAT 3.3 x 3.3 type F mechanical data

Figure 15. PowerFLAT 3.3 x 3.3 type F drawing

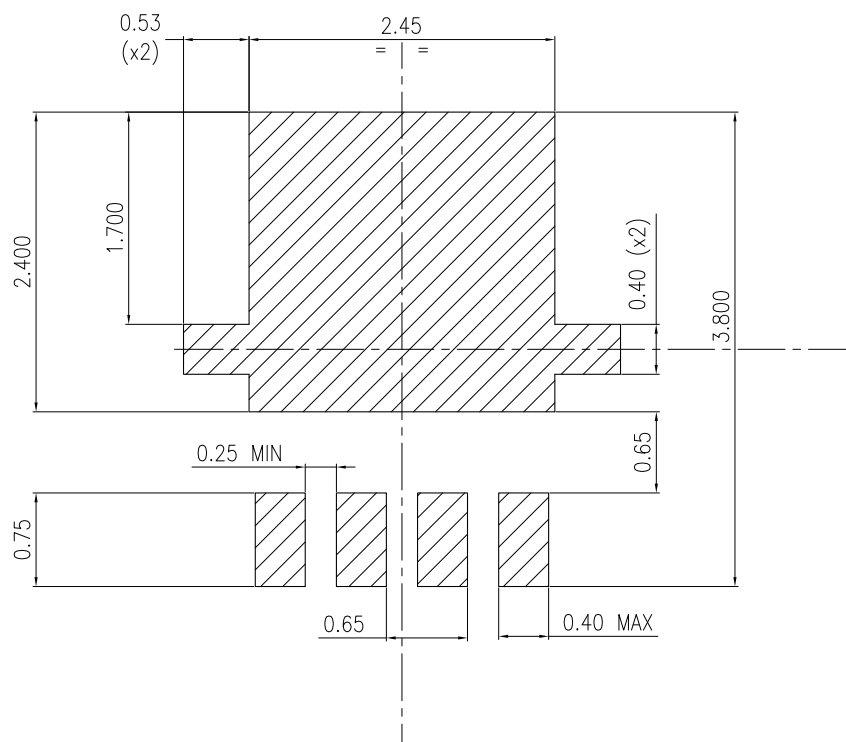


8465286_Rev2

Table 7. PowerFLAT 3.3 x 3.3 type F mechanical data

Dim.	mm		
	Min.	Typ.	Max.
A	0.70	0.80	0.90
b	0.25	0.30	0.39
c	0.14	0.15	0.20
D	3.10	3.30	3.50
D1	3.05	3.15	3.25
D2	2.15	2.25	2.35
e	0.55	0.65	0.75
E	3.10	3.30	3.50
E1	2.90	3.00	3.10
E2	1.60	1.70	1.80
H	0.25	0.40	0.55
K	0.65	0.75	0.85
L	0.30	0.45	0.60
L1	0.05	0.15	0.25
L2			0.15
J	8°	10°	12°

Figure 16. PowerFLAT 3.3 x 3.3 type F recommended footprint



8465286_Rev2_footprint

Revision history

Table 8. Document revision history

Date	Revision	Changes
04-Mar-2013	1	First release.
28-Nov-2013	2	<ul style="list-style-type: none"> • Modified: P_{TOT} value, silhouette and not found in cover page • Modified: V_{GS} and P_{TOT} values in not found • Modified: $R_{thj-pcb}$ value and note ⁽¹⁾ in <i>Table 3: "Thermal data"</i> • Modified: I_{GSS} test conditions value • Modified: Q_g in <i>Table 5: "Dynamic"</i> • Added: <i>Table 9: "PowerFLAT™ 3.3 x 3.3 type F mechanical data", Figure 18: "PowerFLAT™ 3.3 x 3.3 type F drawing" and Figure 19: "PowerFLAT™ 3.3 x 3.3 type F recommended footprint"</i>. • Minor text changes
26-Nov-2014	3	<p>Updated <i>Figure 1: "Internal schematic diagram"</i>.</p> <p>Added <i>Section 4.1: "PowerFLAT™ 3.3 x 3.3 type C package information"</i> and <i>Section 4.2: "PowerFLAT™ 3.3 x 3.3 type F package information"</i>.</p> <p>Minor text changes.</p>
09-Mar-2020	4	<p>Updated Section 4 Package information.</p> <p>Minor text changes.</p>

Contents

1	Electrical ratings	2
2	Electrical characteristics	3
2.1	Electrical characteristics (curves)	5
3	Test circuits	7
4	Package information	8
4.1	PowerFLAT 3.3 x 3.3 type F mechanical data	8
	Revision history	10

IMPORTANT NOTICE – PLEASE READ CAREFULLY

STMicroelectronics NV and its subsidiaries (“ST”) reserve the right to make changes, corrections, enhancements, modifications, and improvements to ST products and/or to this document at any time without notice. Purchasers should obtain the latest relevant information on ST products before placing orders. ST products are sold pursuant to ST’s terms and conditions of sale in place at the time of order acknowledgement.

Purchasers are solely responsible for the choice, selection, and use of ST products and ST assumes no liability for application assistance or the design of Purchasers’ products.

No license, express or implied, to any intellectual property right is granted by ST herein.

Resale of ST products with provisions different from the information set forth herein shall void any warranty granted by ST for such product.

ST and the ST logo are trademarks of ST. For additional information about ST trademarks, please refer to www.st.com/trademarks. All other product or service names are the property of their respective owners.

Information in this document supersedes and replaces information previously supplied in any prior versions of this document.

© 2020 STMicroelectronics – All rights reserved