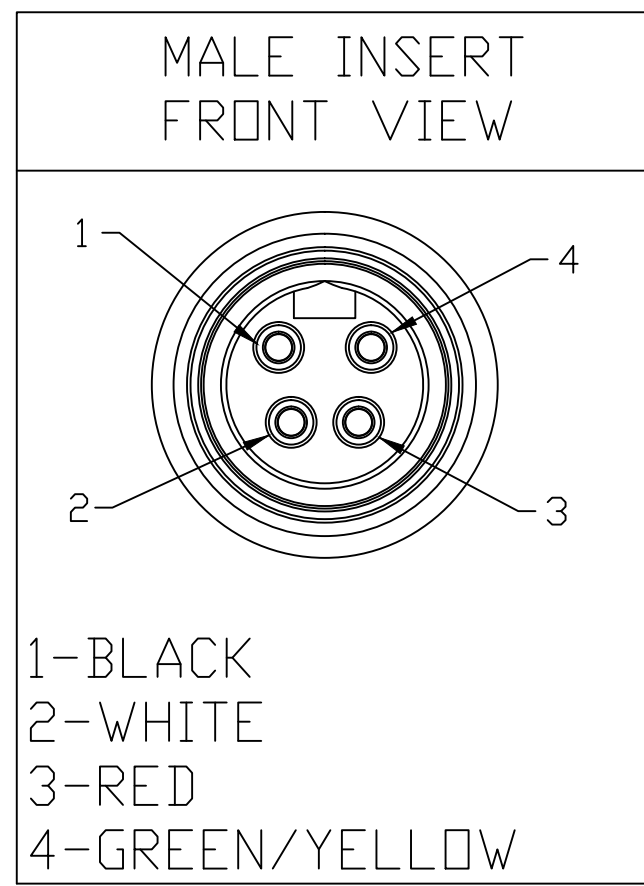
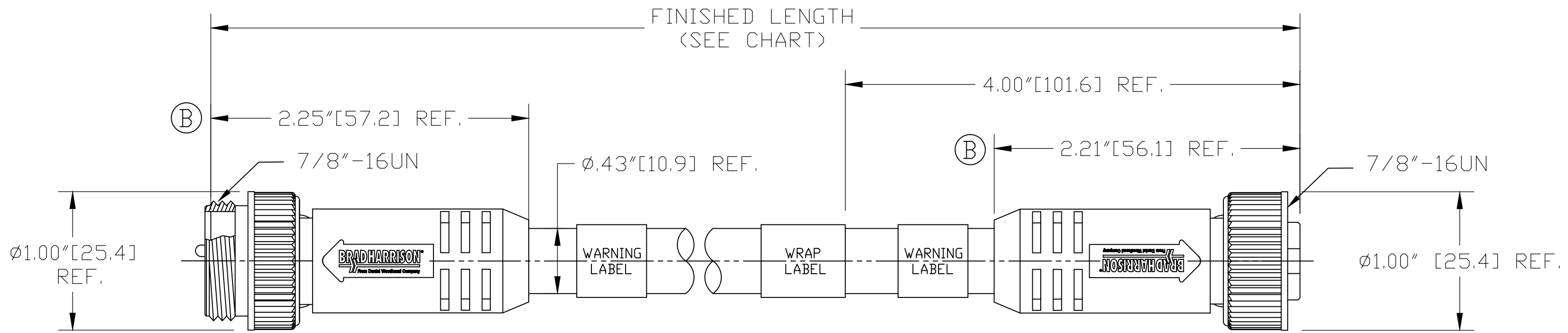


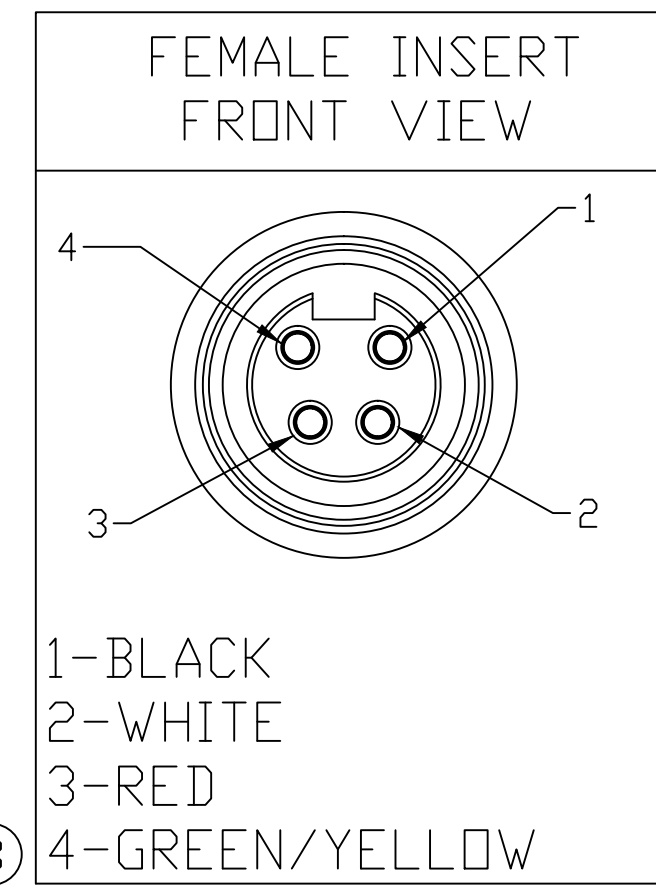
13	12	11	10	9	8	7	6	5	4	3	2	1
<b>MATERIAL NUMBER</b>	<b>OLD PART NUMBER</b>	<b>FINISHED LENGTH</b>										
130062-0088	114030A45M020	6.56' +3.50" -0 [2.0M +88.9mm -0]										



**114030A45M020**

Cable type  
16/4 AWG TC/ST00W  
Gray PVC

cable length  
M020----2 Meter  
M100----10 Meter



CONTACT:	GOLD/NICKEL OVER COPPER ALLOY
INSERT:	PVC, BLACK
COUPLING NUT:	ZINC DIE CAST, BLACK E-COATED
MOLDED BODY:	PVC, GRAY
VOLTAGE RATING:	600 VAC/VDC
AMPERAGE RATING:	10 AMPS
PROTECTION:	IP67
OPERATING TEMPERATURE:	-20°C TO 105°C
CERTIFICATIONS:	UL & CULUS LISTED, FILE NO. E258922

REMOVE GREEN WIRE, REV DIMS EC NO.: IPG2017-0162 DRWN: RSTONE 8/23/16 CH'KD: K COX 2016/08/26 APPR: BWOODMAN 2013/08/14	QUALITY SYMBOL ▽=0 ▽=0	<b>GENERAL TOLERANCES (UNLESS SPECIFIED)</b> <table border="1"> <tr> <td></td> <td>mm</td> <td>INCH</td> </tr> <tr> <td>4 PLACES</td> <td>±---</td> <td>±---</td> </tr> <tr> <td>3 PLACES</td> <td>±---</td> <td>±---</td> </tr> <tr> <td>2 PLACES</td> <td>±---</td> <td>±.01</td> </tr> <tr> <td>1 PLACE</td> <td>±0.3</td> <td>±---</td> </tr> </table>		mm	INCH	4 PLACES	±---	±---	3 PLACES	±---	±---	2 PLACES	±---	±.01	1 PLACE	±0.3	±---	<b>DIMENSION STYLE</b> IN/MM DRAWN BY DATE EBRACKEN 2013/06/18 CHECKED BY DATE RSTONE APPROVED BY DATE BWOODMAN 2013/08/14	SCALE --- DESIGN UNITS INCH THIRD ANGLE PROJECTION	TITLE <b>MINI-CHANGE ASSEMBLY          4 POLE M/MFE          #16/4 GRAY PVC</b>
		mm	INCH																	
	4 PLACES	±---	±---																	
	3 PLACES	±---	±---																	
2 PLACES	±---	±.01																		
1 PLACE	±0.3	±---																		
<b>DRAFT WHERE APPLICABLE MUST REMAIN WITHIN DIMENSIONS</b>	MATERIAL NO. <b>SEE CHART</b>	MOLEX INCORPORATED DOCUMENT NO. <b>SD-130062-016</b>	SHEET NO. <b>1 OF 1</b>																	
SIZE C	THIS DRAWING CONTAINS INFORMATION THAT IS PROPRIETARY TO MOLEX INCORPORATED AND SHOULD NOT BE USED WITHOUT WRITTEN PERMISSION																			