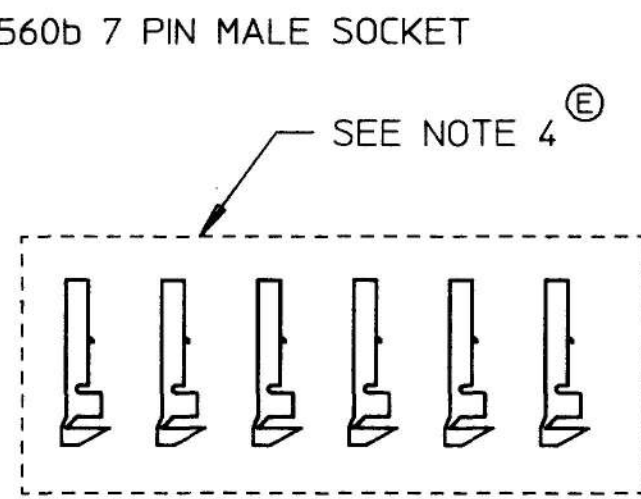
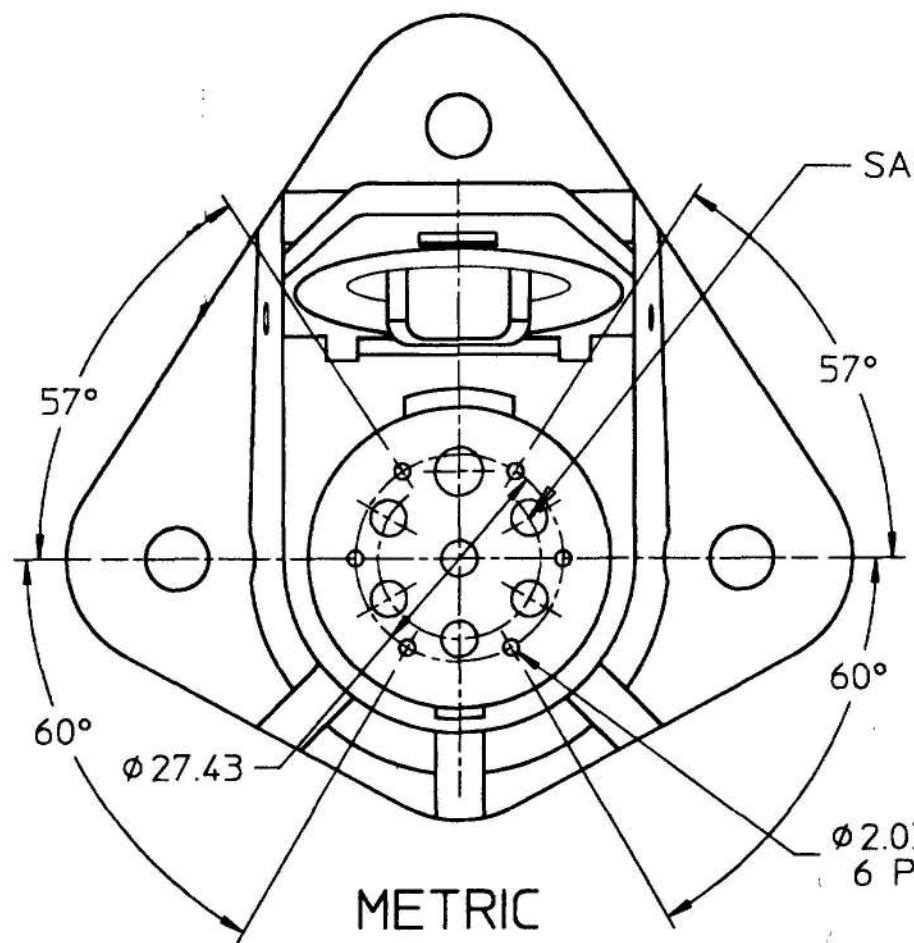
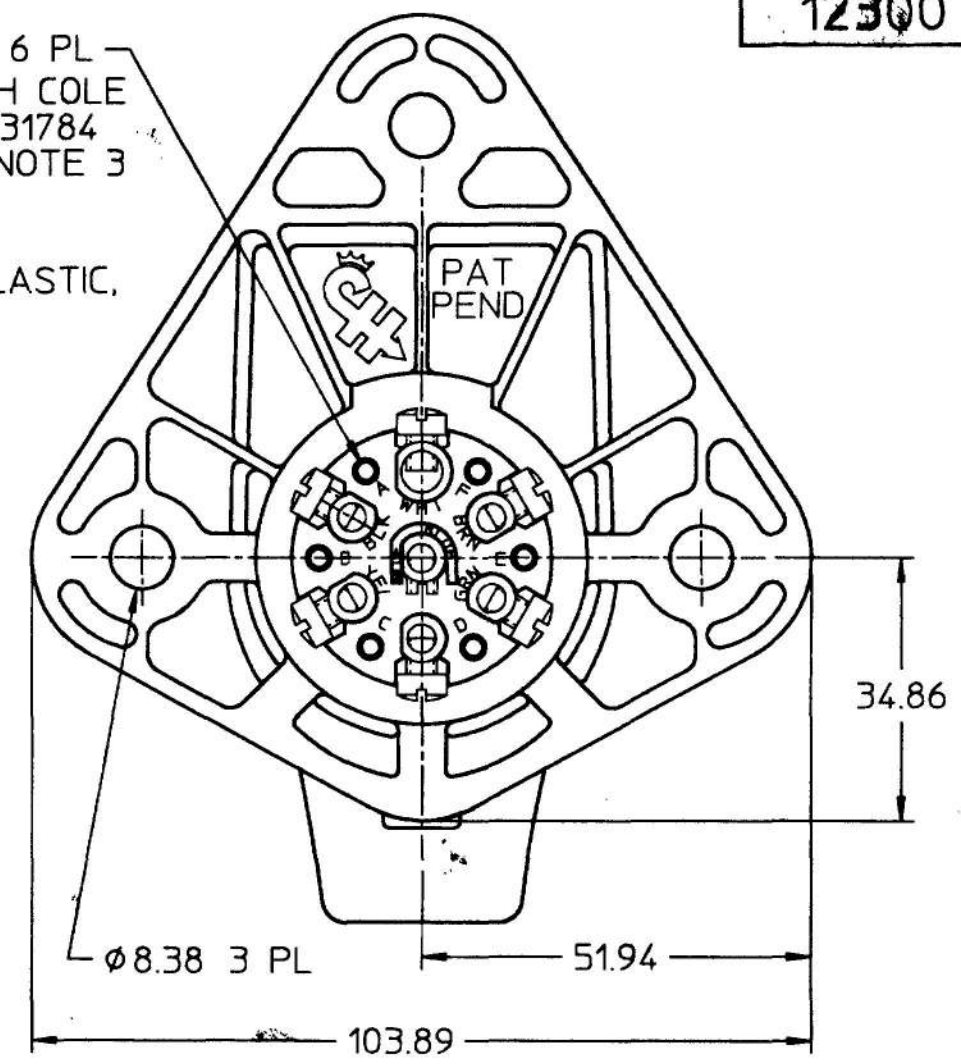
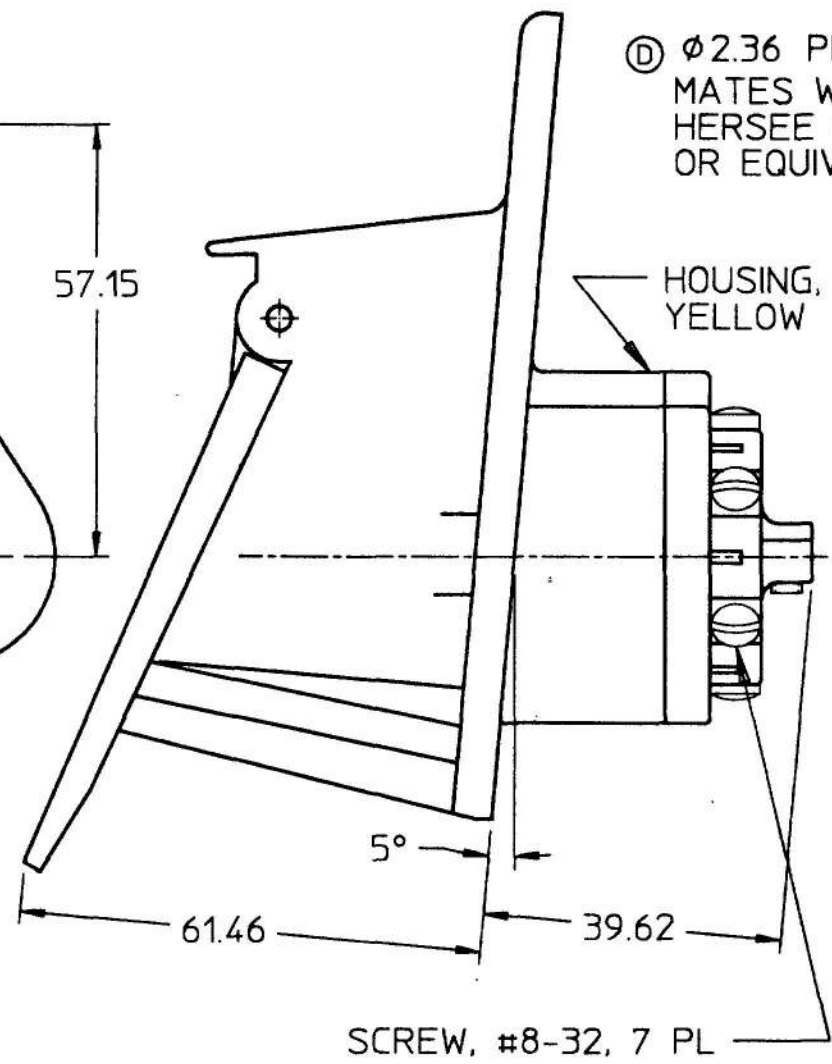
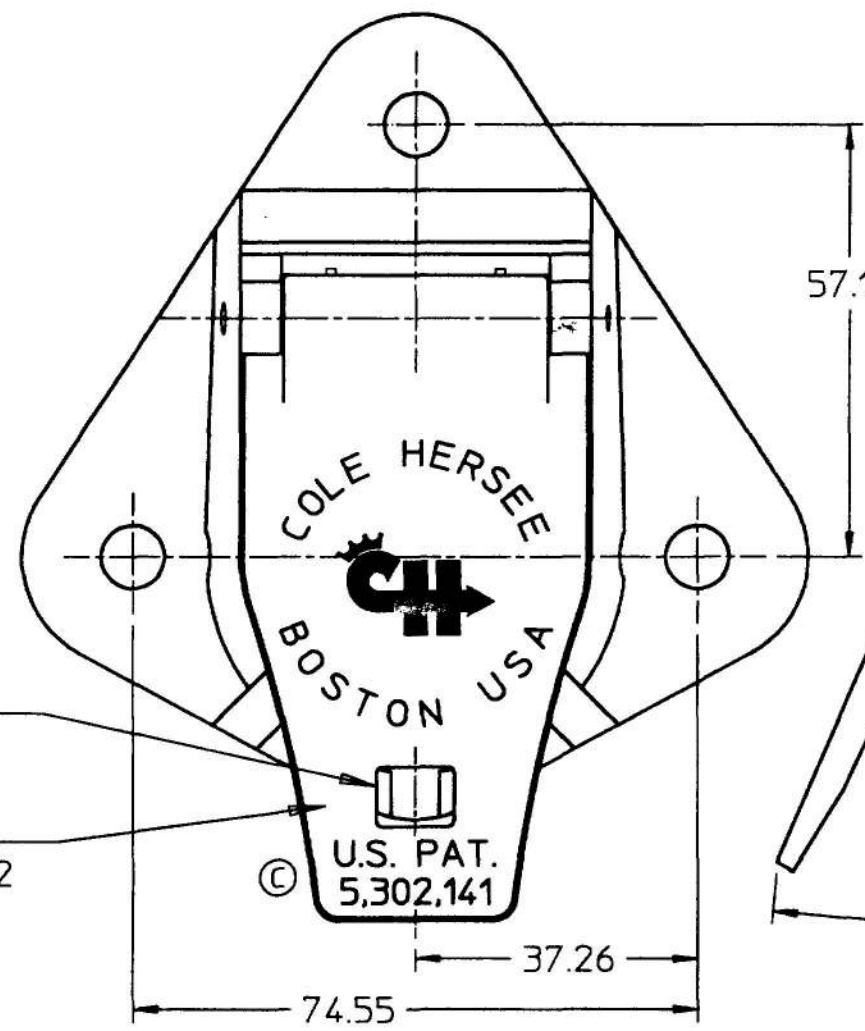


MM	IN
2.03	0.080
2.36	0.093
8.38	0.330
27.43	1.080
34.86	1.373
37.26	1.467
39.62	1.560
49.28	1.940
51.94	2.045
57.15	2.250
61.46	2.420
74.55	2.935
103.89	4.090
0.8	18 ga
2.0	14 ga
5.0	10 ga
8.0	8 ga



- NOTES:
1. ALL DIMENSIONS REFERENCE ONLY
  2. GASKET SEAL BETWEEN DOOR AND HOUSING
  3. WHITE TERMINAL WILL ACCEPT UP TO 8.0 mm<sup>2</sup> WIRE LEAD. BLACK, BLUE, BROWN, GREEN, RED AND YELLOW TERMINALS WILL ACCEPT UP TO 5.0 mm<sup>2</sup> WIRE LEADS. ARK-LESS TERMINAL WILL ACCEPT 2.0 mm<sup>2</sup> THRU 0.8 mm<sup>2</sup> WIRE LEADS AT TERMINALS A, B, C, D, E AND F.
  4. SIX TERMINALS, P/N 31784, SUPPLIED IN PLASTIC BAG

LET.	WAS	DATE	BY	LET.	WAS	DATE	BY	MATERIAL	DRAWN	CHK	APVD	SCALE	EX24015J	DATE DRAWN
									DPS	JH		1:1		12/31/92
				E	ECN # 25755	2/3/95	MB	FINISH						DATE BLUEPRINTED
				D	REDRAWN	4/12/94	MJT							
				C	PATENT PENDING	3/31/94	MJT	TOLERANCES						
					ISSUED	3/24/94	AF	DECIMAL ±						
								ANGLE ±						

DO NOT SCALE

**CH** Cole Hersee Co.  
20 OLD COLONY AVENUE, BOSTON, MA., U.S.A., 02127

**13 PIN SOCKET**

**12300**