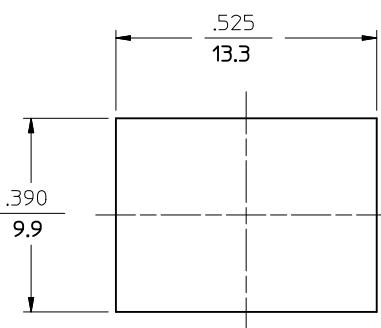
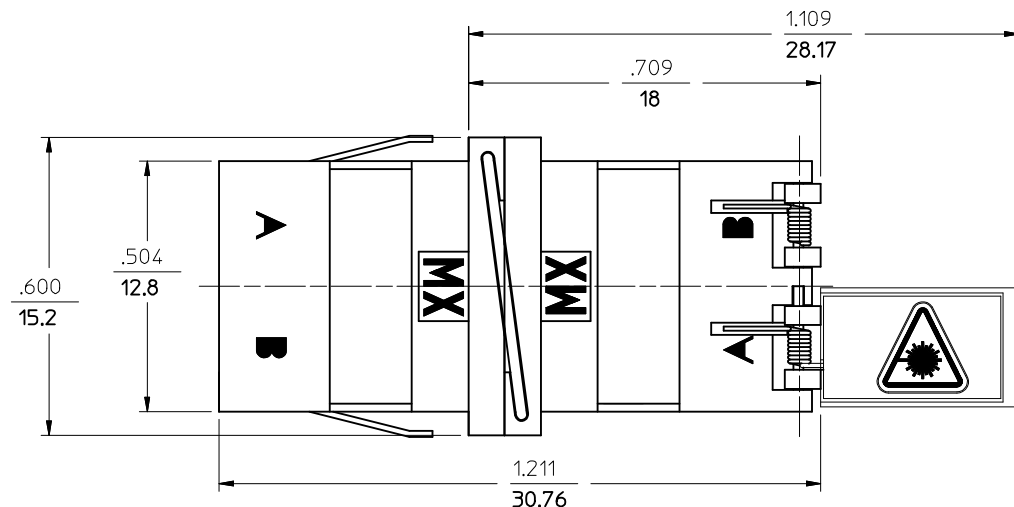
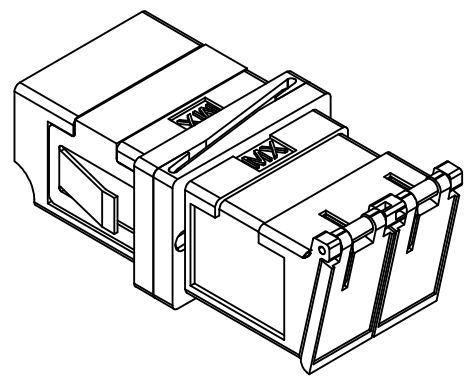
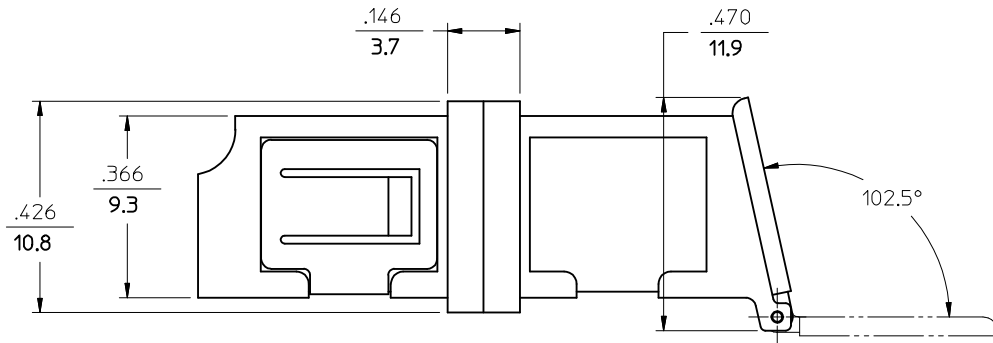
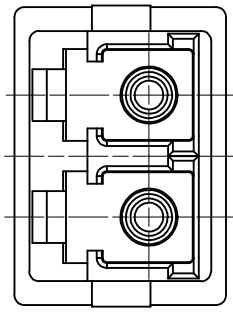


10	9	8	7	6	5	4	3	2	1
LC ADAPTER ASSY. P/N	LC SLEEVE MATERIAL								
106127-0690	Ph. BRONZE								
106127-1690	ZR								



RECOMMENDED MOUNTING PATTERN
FOR $\frac{.063}{1.6}$ THICK PANEL



- NOTES:
1. ALL DIMENSIONS ARE FOR REFERENCE ONLY.
 2. ASSEMBLE MOUNTING PLATE AND LABELS AS SHOWN.
 3. DUST CAP NOT SHOWN.
 4. ADAPTERS TO BE PACKED IN TRAYS.

ENTER DESCRIPTION EC NO: MF2009-0618 DRAWN: SMIGO 2009/06/08 CHKD: BANDREI 2009/06/08 APPR: BANDREI 2009/06/09	QUALITY SYMBOLS 	GENERAL TOLERANCES (UNLESS SPECIFIED)		DIMENSION STYLE IN/MM	SCALE INCH	DESIGN UNITS INCH	THIRD ANGLE PROJECTION	
		4 PLACES ± --- ± ---	3 PLACES ± --- ± ---	DRAWN BY PGIBLIN	DATE 2005/10/05	TITLE LC DUPLEX ADAPTER, METAL		
		2 PLACES ± --- ± ---	1 PLACE ± --- ± ---	CHECKED BY	DATE	APPROVED BY		
		ANGULAR ±1/2°		MATERIAL NO. SEE TABLE		DOCUMENT NO. SD-106127-X690	SHEET NO. 1 OF 1	
DRAFT WHERE APPLICABLE MUST REMAIN WITHIN DIMENSIONS		THIS DRAWING CONTAINS INFORMATION THAT IS PROPRIETARY TO MOLEX INCORPORATED AND SHOULD NOT BE USED WITHOUT WRITTEN PERMISSION						