

## CHIP COIL (CHIP INDUCTORS) LQH43NN□□□□03L REFERENCE SPECIFICATION

### 1.Scope

This reference specification applies to LQH43NN Series, Chip coil (Chip Inductors).

### 2.Part Numbering

(ex)   LQ     H     43     N     N     1R0     M     0     3     L    
 Product ID Structure Dimension Applications Category Inductance Tolerance Features Electrode Packaging  
 (L×W) and Characteristics L:Taping

### 3.Rating

- Operating Temperature Range      -40 to +105°C
- Storage Temperature Range        -40 to +105°C

Customer's Part Number	MURATA Part Number	Inductance		Q (min.)	DC Resistance (Ω max)	Self Resonant Frequency (MHz min)	*Rated Current (mA)	
		(μH)	Tolerance (%)					
	LQH43NN1R0M03L	1.0	M:±20	20	0.20	120	500	
	LQH43NN1R2M03L	1.2				100		
	LQH43NN1R5M03L	1.5				85		
	LQH43NN1R8M03L	1.8			0.30	75		
	LQH43NN2R2M03L	2.2				62		
	LQH43NN2R7M03L	2.7				53		
	LQH43NN3R3M03L	3.3			0.32	47		
	LQH43NN3R9M03L	3.9				41		
	LQH43NN4R7M03L	4.7				38		
	LQH43NN4R7K03L	4.7	M:±20 K:±10	30	0.40	33	450	
	LQH43NN5R6M03L	5.6				0.47		31
	LQH43NN5R6K03L							
	LQH43NN6R8M03L	6.8			0.50	27		
	LQH43NN6R8K03L							
	LQH43NN8R2M03L	8.2			0.56	23		
	LQH43NN8R2K03L							
	LQH43NN100K03L	10	K:±10 J:±5	35	0.62	21	400	
	LQH43NN100J03L							
	LQH43NN120K03L	12	K:±10 J:±5	35	0.73	19	380	
	LQH43NN120J03L							
	LQH43NN150K03L	15	K:±10 J:±5	35	0.82	17	360	
	LQH43NN150J03L							
	LQH43NN180K03L	18	K:±10 J:±5	35	0.94	15	340	
	LQH43NN180J03L							
	LQH43NN220K03L	22	K:±10 J:±5	35	1.1	14	320	
	LQH43NN220J03L							
	LQH43NN270K03L	27	K:±10 J:±5	35	1.2	12	300	
	LQH43NN270J03L							
	LQH43NN330K03L	33	K:±10 J:±5	35	1.4	11	270	
	LQH43NN330J03L							
	LQH43NN390K03L	39	K:±10 J:±5	35	1.5	10	240	
	LQH43NN390J03L							
	LQH43NN470K03L	47	K:±10 J:±5	35	1.5	10	220	
	LQH43NN470J03L							

Customer's Part Number	MURATA Part Number	Inductance		Q (min.)	DC Resistance ( $\Omega$ max)	Self Resonant Frequency (MHz min)	*Rated Current (mA)		
		( $\mu$ H)	Tolerance (%)						
	LQH43NN560K03L	56	K: $\pm$ 10 J: $\pm$ 5	35	1.7	9.3	200		
	LQH43NN560J03L								
	LQH43NN680K03L	68					1.9	8.4	180
	LQH43NN680J03L								
	LQH43NN820K03L	82					2.2	7.5	170
	LQH43NN820J03L								
	LQH43NN101K03L	100				2.5	6.8	160	
	LQH43NN101J03L								
	LQH43NN121K03L	120				3.0	6.2	150	
	LQH43NN121J03L								
	LQH43NN151K03L	150				3.7	5.5	130	
	LQH43NN151J03L								
	LQH43NN181K03L	180				4.5	5.0	120	
	LQH43NN181J03L								
	LQH43NN221K03L	220				5.4	4.5	110	
	LQH43NN221J03L								
	LQH43NN271K03L	270				6.8	4.0	100	
	LQH43NN271J03L								
	LQH43NN331K03L	330				8.2	3.6	95	
	LQH43NN331J03L								
	LQH43NN391K03L	390		40	9.7	3.3	90		
	LQH43NN391J03L								
	LQH43NN471K03L	470				11.8	3.0	80	
	LQH43NN471J03L								
	LQH43NN561K03L	560				14.5	2.7	70	
	LQH43NN561J03L								
	LQH43NN681K03L	680				17.0	2.5	65	
	LQH43NN681J03L								
	LQH43NN821K03L	820				20.5	2.2	60	
	LQH43NN821J03L								
	LQH43NN102K03L	1000				25.0	2.0	50	
	LQH43NN102J03L								
	LQH43NN122K03L	1200			30.0	1.8	45		
	LQH43NN122J03L								
	LQH43NN152K03L	1500			37.0	1.6	40		
	LQH43NN152J03L								
	LQH43NN182K03L	1800			45.0	1.5	35		
	LQH43NN182J03L								
	LQH43NN222K03L	2200			50.0	1.3	30		
	LQH43NN222J03L								
	LQH43NN242K03L	2400			53.0	1.2	25		
	LQH43NN242J03L								

\*When applied Rated current to the Products , self temperature rise shall be limited to 20°C max and Inductance will be within  $\pm$ 10% of initial Inductance value.

**4. Testing Conditions**

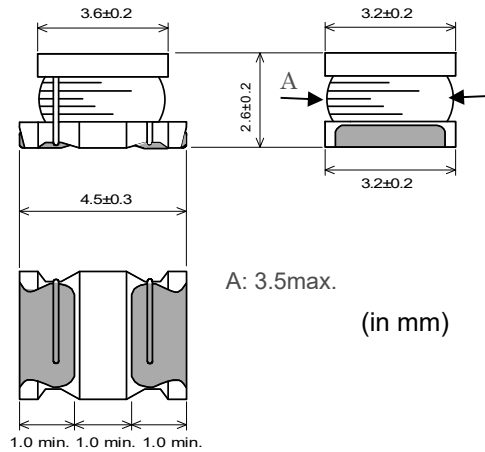
<Unless otherwise specified>

Temperature : Ordinary Temperature (15 to 35°C)  
 Humidity : Ordinary Humidity (25 to 85 %(RH))

<In case of doubt>

Temperature : 20 ± 2°C  
 Humidity : 60 to 70 %(RH)  
 Atmospheric Pressure : 86 to 106 kPa

**5.Appearance and Dimensions (No marking)**

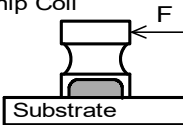
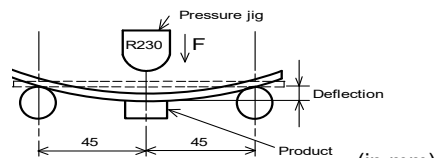


■Unit Mass (Typical value)  
 0.13g

**6.Electrical Performance**

No.	Item	Specification	Test Method
6.1	Inductance	Inductance shall meet item 3.	Measuring Equipment: Keysight 4192A or equivalent Measuring Frequency: 1MHz / 1.0 to 390µH 1kHz / 470 to 2400µH
6.2	Q		Measuring Equipment: Keysight 4192A or equivalent Measuring Frequency: 1MHz / 1.0 to 82µH 796kHz / 100 to 820µH 252kHz / 1000 to 2400 µH
6.3	DC Resistance	DC Resistance shall meet item 3.	Measuring Equipment: Digital multi meter
6.4	Self Resonant Frequency(S.R.F)	S.R.F shall meet item 3.	Measuring Equipment: Keysight 4991A or equivalent
6.5	Rated Current	Self temperaturer rise shall be limited to 20°C max. Inductance Change : within ± 10%	The rated current is applied.

**7.Mechanical Performance**

No.	Item	Specification	Test Method
7.1	Shear Test	Chip coil shall not be damaged.	Substrate: Glass-epoxy substrate Applied Direction :  Force : 5N Hold Duration: 5±1 s
7.2	Bending Test		Substrate: Glass-epoxy substrate (100 × 40 × 1.6mm) Speed of Applying Force: 1mm / s Deflection: 2mm Hold Duration: 5 s  (in mm)

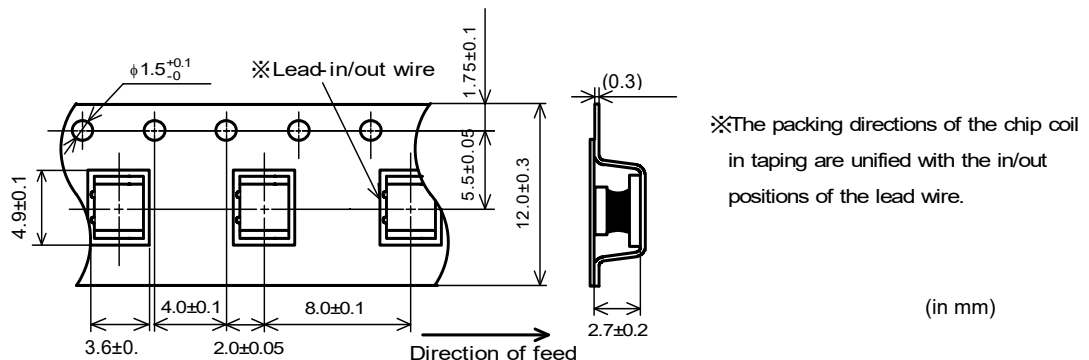
No.	Item	Specification	Test Method
7.3	Vibration	Chip coil shall not be damaged.	Oscillation Frequency: 10 to 55 to 10Hz for 1 minute Total Amplitude: 1.5mm Testing Time: A period of 2 hours in each of 3 mutually perpendicular directions. (Total 6 hours)
7.4	Solderability	The wetting area of the electrode shall be at least 90% covered with new solder coating.	Flux: Ethanol solution of rosin,25(wt)% (Immersed for 5s to 10s) Solder: Sn-3.0Ag-0.5Cu Pre-Heating: 150±10°C / 60 to 90seconds Solder Temperature: 240±5°C Immersion Time: 3±1 s

**8.Environmental Performance (It shall be soldered on the substrate.)**

No.	Item	Specification	Test Method
8.1	Heat Resistance	Appearance:No damage Inductance Change : within ±5% Q-factor Change : within ±20%	Temperature: 105±2°C Time: 1000± <sup>48</sup> <sub>0</sub> hours Then measured after exposure in the room condition for 24±2 hours.
8.2	Cold Resistance		Temperature: -40±2°C Time: 1000± <sup>48</sup> <sub>0</sub> hours Then measured after exposure in the room condition for 24±2 hours.
8.3	Humidity		Temperature: 85±2°C Humidity: 80 to 85%(RH) Time: 1000± <sup>48</sup> <sub>0</sub> hours Then measured after exposure in the room condition for 24±2 hours.
8.4	Temperature Cycle		1 cycle: step 1 : -40±2°C / 30±3 min step 2 : Ordinary temp. / 10 to 15 min step 3 : +105±2°C / 30±3 min step 4 : Ordinary temp. / 10 to 15 min Total of 10 cycles Then measured after exposure in the room condition for 24±2 hours.

**9. Specification of Packaging**

**9.1 Appearance and Dimensions of plastic tape**



Dimension of the Cavity is measured at the bottom side.

**9.2 Specification of Taping**

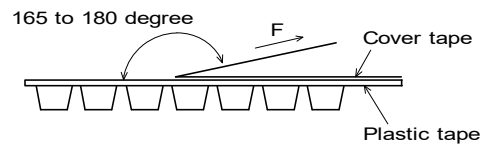
- (1) Packing quantity (standard quantity)  
500 pcs / reel
- (2) Packing Method  
Products shall be packed in the each embossed cavity of plastic tape and sealed by cover tape.
- (3) Sprocket hole  
The sprocket holes are to the right as the tape is pulled toward the user.
- (4) Spliced point  
Plastic tape and Cover tape has no spliced point.
- (5) Missing components number  
Missing components number within 0.025 % of the number per reel or 1 pc., whichever is greater, and are not continuous. The specified quantity per reel is kept.

**9.3 Pull Strength**

Embossed carrier tape	10N min.
Cover tape	5N min.

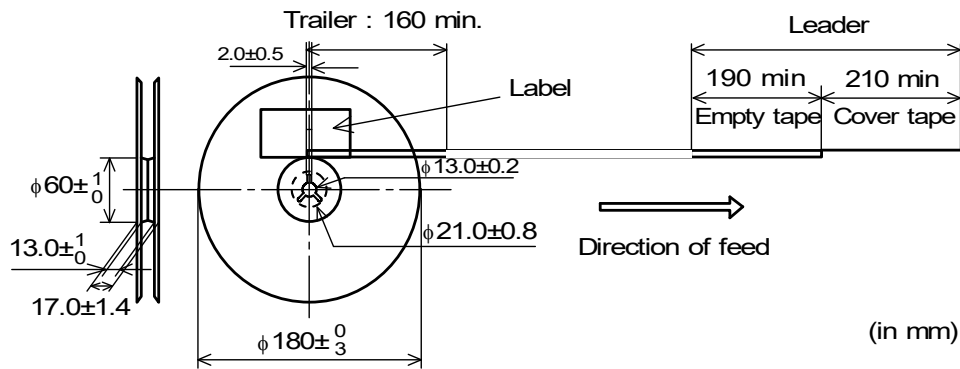
**9.4 Peeling off force of cover tape**

Speed of Peeling off	300mm/min
Peeling off force	0.2 to 0.7N (minimum value is typical)



**9.5 Dimensions of Leader-tape, Trailer and Reel**

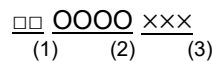
There shall be leader-tape (cover tape) and trailer-tape (empty tape) as follows.



**9.6 Marking for reel**

Customer part number, MURATA part number, Inspection number(\*1), RoHS marking(\*2), Quantity etc ...

\*1) <Expression of Inspection No.>



- (1) Factory Code
- (2) Date
  - First digit : Year / Last digit of year
  - Second digit : Month / Jan. to Sep. 1 to 9, Oct. to Dec. O, N, D
  - Third, Fourth digit : Day
- (3) Serial No.

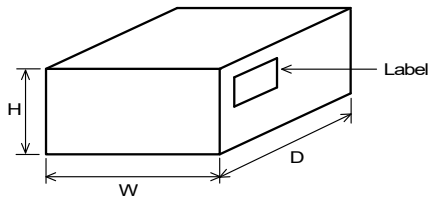
\*2) « Expression of RoHS marking » ROHS – Y (Δ)  
(1) (2)

- (1) RoHS regulation conformity parts.
- (2) MURATA classification number

**9.7 Marking for Outside package (corrugated paper box)**

Customer name, Purchasing order number, Customer part number, MURATA part number, RoHS marking (\*2), Quantity, etc ...

**9.8. Specification of Outer Case**



Outer Case Dimensions (mm)			Standard Reel Quantity in Outer Case (Reel)
W	D	H	
186	186	93	4

\*Above Outer Case size is typical. It depends on a quantity of an order

**10. ⚠ Caution**

**10.1 Limitation of Applications**

Please contact us before using our products for the applications listed below which require especially high reliability for the prevention of defects which might directly cause damage to the third party's life, body or property.

- (1) Aircraft equipment
- (2) Aerospace equipment
- (3) Undersea equipment
- (4) Power plant control equipment
- (5) Medical equipment
- (6) Transportation equipment (vehicles, trains, ships, etc.)
- (7) Traffic signal equipment
- (8) Disaster prevention / crime prevention equipment
- (9) Data-processing equipment
- (10) Applications of similar complexity and /or reliability requirements to the applications listed in the above

**10.2 Corrosive gas**

Please refrain from use since contact with environments with corrosive gases (sulfur gas [hydrogen sulfide, sulfur dioxide, etc.], chlorine, ammonia, etc.) or oils (cutting oil, silicone oil, etc.) that have come into contact with the previously stated corrosive gas environment will result in deterioration of product quality or an open from deterioration due

**11. Notice**

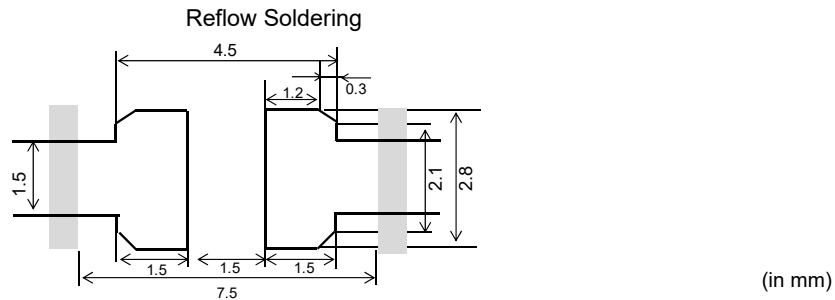
This product is designed for solder mounting.  
Please consult us in advance for applying other mounting method such as conductive adhesive.

**11.1 Land pattern designing**

Recommended land patterns for reflow soldering are as follows:

These have been designed for Electric characteristics and solderability.

Please follow the recommended patterns. Otherwise, their performance which includes electrical performance or solderability may be affected, or result to "position shift" in soldering process.



**11.2 Flux, Solder**

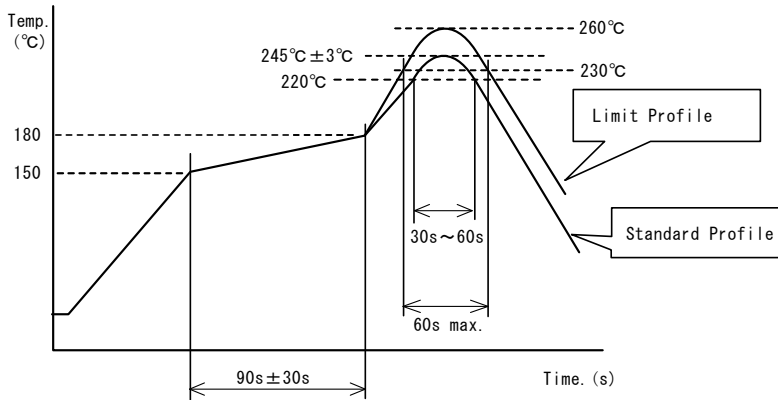
Flux	<ul style="list-style-type: none"> <li>• Use rosin-based flux.</li> <li>• Don't use highly acidic flux with halide content exceeding 0.2(wt)% (chlorine conversion value).</li> <li>• Don't use water-soluble flux.</li> </ul>
Solder	<ul style="list-style-type: none"> <li>• Use Sn-3.0Ag-0.5Cu solder</li> <li>• Standard thickness of solder paste : 200µm to 300µm</li> </ul>

Other flux (except above) Please contact us for details, then use.

**11.3 Soldering conditions (Reflow)**

- Pre-heating should be in such a way that the temperature difference between solder and product surface is limited to 150°C max. Cooling into solvent after soldering also should be in such a way that the temperature difference is limited to 100°C max. Insufficient pre-heating may cause cracks on the product, resulting in the deterioration of product quality.
- Standard soldering profile and the limit soldering profile is as follows. The excessive limit soldering conditions may cause leaching of the electrode and / or resulting in the deterioration of product quality.

Soldering profile  
Reflow soldering profile



	Standard Profile	Limit Profile
Pre-heating	150~180°C、90s±30s	
Heating	above 220°C、30s~60s	above 230°C、60s max.
Peak temperature	245±3°C	260°C,10s
Cycle of reflow	2 times	2 time

**11.4 Reworking with soldering iron.**

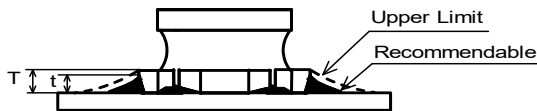
The following conditions must be strictly followed when using a soldering iron.

Pre-heating	150°C,1 min
Tip temperature	350°C max.
Soldering iron output	80W max.
Tip diameter	φ 3mm max.
Soldering time	3(+1,-0)s
Times	2 times

Note : Do not directly touch the products with the tip of the soldering iron in order to prevent the crack on the products due to the thermal shock.

**11.5 Solder Volume**

- Solder shall be used not to be exceeded the upper limits as shown below.
- Accordingly increasing the solder volume, the mechanical stress to Chip is also increased. Exceeding solder volume may cause the failure of mechanical or electrical performance.



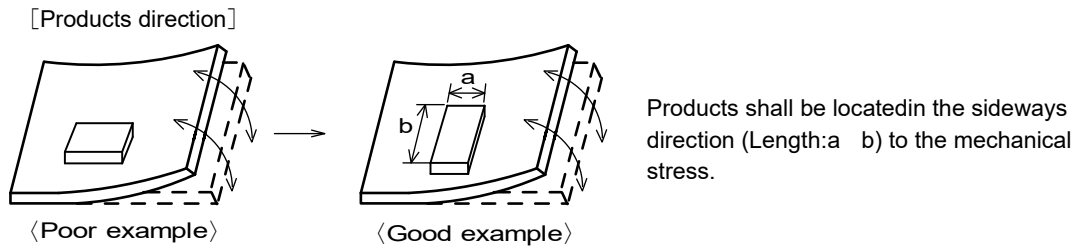
$$1/3T \leq t \leq T$$

(T: Lower flange thickness)

### 11.6 Product's location

The following shall be considered when designing and laying out P.C.B.'s.

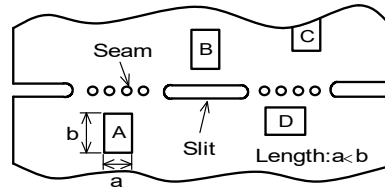
- (1) P.C.B. shall be designed so that products are not subject to the mechanical stress due to warping the board.



- (2) Products location on P.C.B. separation

Products (A,B,C,D) shall be located carefully so that products are not subject to the mechanical stress due to warping the board.

Because they may be subjected the mechanical stress in order of A C B ≅ D.



### 11.7 Cleaning Conditions

Products shall be cleaned on the following conditions.

- (1) Cleaning temperature shall be limited to 60°C max. (40°C max for IPA.)
- (2) Ultrasonic cleaning shall comply with the following conditions with avoiding the resonance phenomenon at the mounted products and P.C.B.  
Power : 20 W / l max.      Frequency : 28kHz to 40kHz      Time : 5 minutes max.
- (3) Cleaner
  1. Alternative cleaner
    - Isopropyl alcohol (IPA)
  2. Aqueous agent
    - PINE ALPHA ST-100S
- (4) There shall be no residual flux and residual cleaner after cleaning.  
In the case of using aqueous agent, products shall be dried completely after rinse with de-ionized water in order to remove the cleaner.
- (5) Other cleaning  
Please contact us.

### 11.8 Resin coating

The inductance value may change due to high cure-stress of resin to be used for coating/molding products. An open circuit issue may occur by mechanical stress caused by the resin, amount/cured shape of resin, or operating condition etc. Some resin contains some impurities or chloride possible to generate chlorine by hydrolysis under some operating condition may cause corrosion of wire of coil, leading to open circuit. So, please pay your careful attention when you select resin in case of coating/molding the products with the resin. Prior to use the coating resin, please make sure no reliability issue is observed by evaluating products mounted on your board.

### 11.9 Caution for use

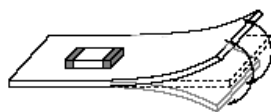
- Sharp material such as a pair of tweezers or other material such as bristles of cleaning brush, shall not be touched to the winding portion to prevent the breaking of wire.
- Mechanical shock should not be applied to the products mounted on the board to prevent the breaking of the core.

### 11.10 Handling of a substrate

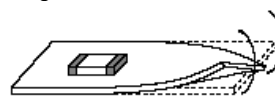
After mounting products on a substrate, do not apply any stress to the product caused by bending or twisting to the substrate when cropping the substrate, inserting and removing a connector from the substrate or tightening screw to the substrate.

Excessive mechanical stress may cause cracking in the product.

Bending



Twisting





### 11.11 Storage and Handling Requirements

(1) Storage period

Use the products within 12 months after delivered.

Solderability should be checked if this period is exceeded.

(2) Storage conditions

- Products should be stored in the warehouse on the following conditions.

Temperature : -10 ~ 40°C

Humidity : 15 to 85% relative humidity No rapid change on temperature and humidity

The electrode of the products is coated with solder. Don't keep products in corrosive gases such as sulfur, chlorine gas or acid, or it may cause oxidization of electrode, resulting in poor solderability.

- Products should not be stored on bulk packaging condition to prevent the chipping of the core and the breaking of winding wire caused by the collision between the products.
- Products should be stored on the palette for the prevention of the influence from humidity, dust and so on.
- Products should be stored in the warehouse without heat shock, vibration, direct sunlight and so on.

(3) Handling Condition

Care should be taken when transporting or handling product to avoid excessive vibration or mechanical shock.

### 12. Note

- (1) Please make sure that your product has been evaluated in view of your specifications with our product being mounted to your product.
- (2) You are requested not to use our product deviating from the agreed specifications.
- (3) The contents of this reference specification are subject to change without advance notice. Please approve our product specifications or transact the approval sheet for product specifications before ordering.