

PRODUCT NUMBER

10119678-3XX LF

INDICATES THE PRODUCT IS ROHS  
COMPATIBLE, NOTE 4

PACKAGING NOTE 3

POS	DIM"A"	DIM"B"	DIM"C"	DIM"Z"
15	35.56	38.10	30.48	0.15
24	58.42	60.96	53.34	0.15
30	73.66	76.20	68.58	0.20
35	86.36	88.82	81.28	0.20

PLATING

0.76µm GOLD ON CONTACT AREA

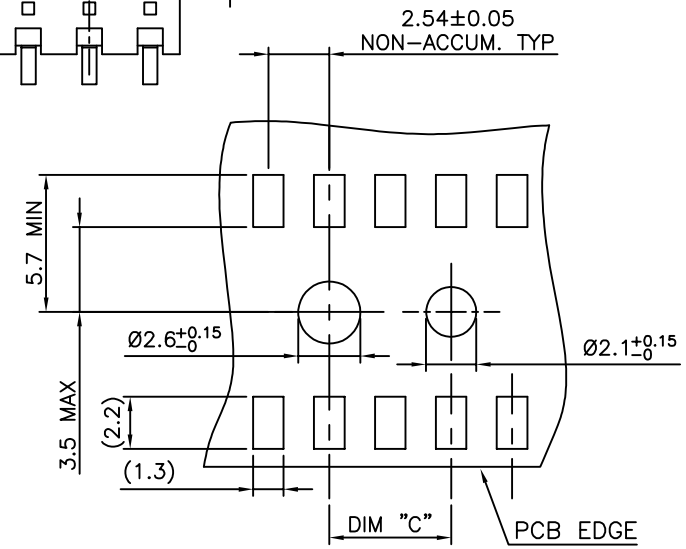
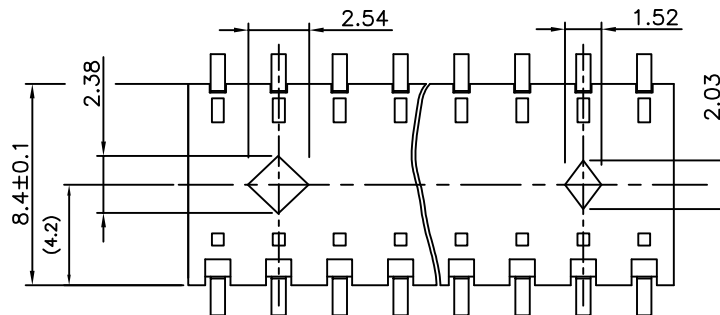
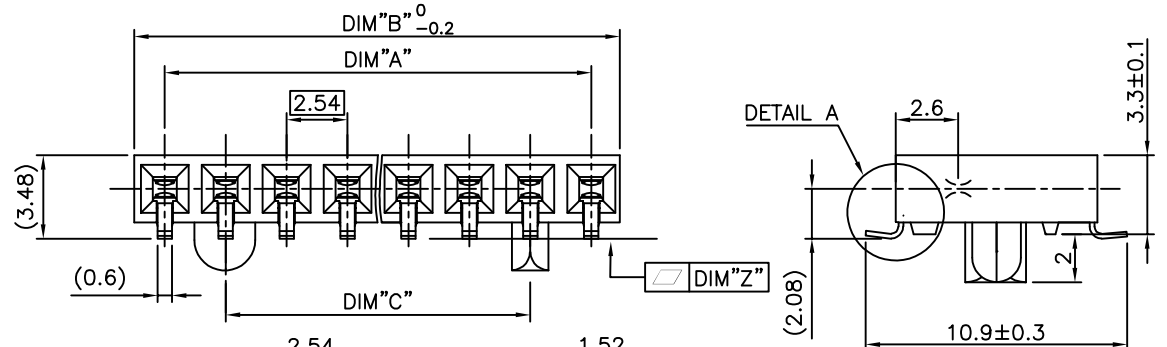
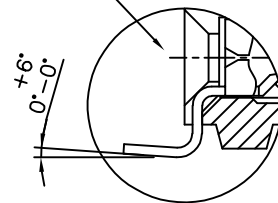
2.0µm MATTE TIN ON TAILS.

NOTES:

- 1 - HOUSING MAT'L: HIGH TEMPERATURE PLASTIC  
FLAME RETARDANT PER UL 94 V-O COLOR: GREY.
- 2 - TERMINAL MATERIAL: PHOSPHOR BRONZE.
- 3 - PACKAGING:  
OMMIT DIGIT = TUBE  
A = TAPE AND REEL  
FOR 24 POS: PACKSIZE OF 550 PCS PER REEL.  
FOR 30 POS: PACKSIZE OF 680 PCS PER REEL.
- 4 - RoHS COMPATIBLE PRODUCT SPECIFICATIONS
  - a - PLATING:
    - "LF" MEANS THE PRODUCT IS LEAD-FREE,  
2µm MINIMUM MATTE TIN OVER 1.27µm  
MINIMUM NICKEL UNDERPLATE.
  - b - MANUFACTURING PROCESS COMPATIBILITY
    - THE HOUSING WILL WITHSTAND EXPOSURE TO  
260°C PEAK TEMPERATURE FOR 30 SECONDS  
MAX IN A CONVECTION, INFRA-RED OR VAPOR  
PHASE OR REFLOW OVEN.
  - c - LABELING:
    - MEETS PACKAGING SPECS AS PER GS-14-920
  - d - LEGAL STATEMENT: SEE GS-47-0004

MATING SIDE

DETAIL A  
SCALE 20:1



mat'l. code		surface		tolerance		projection		product family	
NOTE 1		ISO 1302		ISO 406 ISO 1101		mm		DUBOX	
ltr	ecn no	dr	date	tolerances unless otherwise specified		mm		title	
A	F12-0040	LMU	12.04.02	angles	linear	mm		BtB RECEPT. HORIZ SR SMT	
B	B-15987	JCO	13.10.02			scale 10:1		dwg no	
C	F-24485	AMA	16.07.12	±2'				sheet 1 of 1 size	
D	F-24995	DDE	16.09.21	dr	LMULIN			10119678 A3	
E	F-25000	DDE	16.09.21	enrg	J COMPAGNON			type CUSTOMER Drawing	
G	F-28513	LMU	17.08.23	chr	JCO				
				appd	J.PE				
sheet	revision								
index	sheet								



FCIconnect.com

Copyright FCI