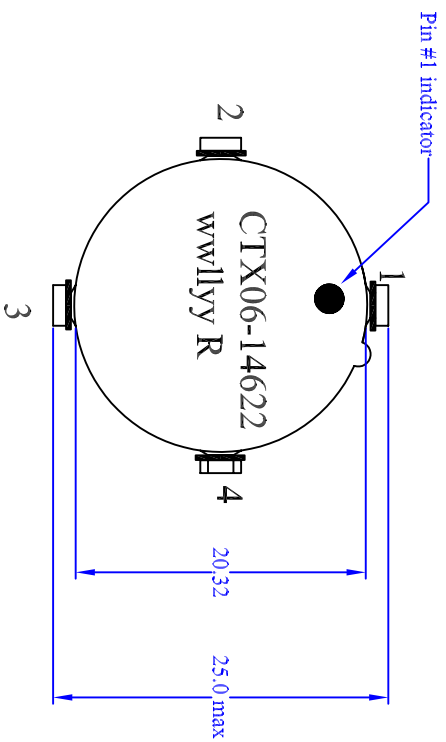
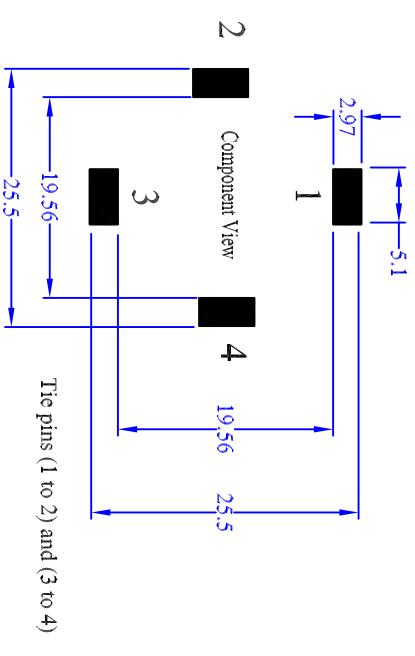


TOP VIEW



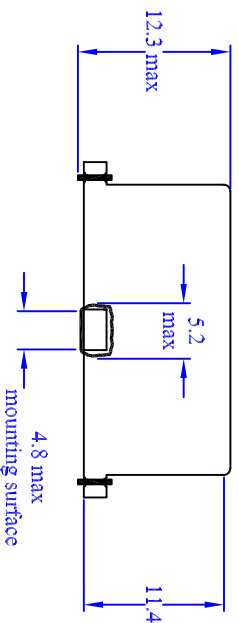
RECOMMENDED PCB LAYOUT



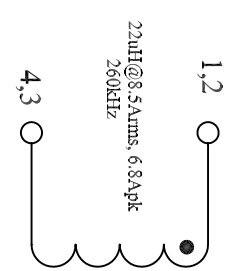
ELECTRICAL CHARACTERISTICS

OCL @ 100KHz, 0.25Vrms & 0.0A dc pins (1,2 - 4,3). 17.34-28.91uH
 OCL @ 100KHz, 0.25Vrms & 6.8A dc, pins (1,2 - 4,3). 10.40uH min
 DCR @ 20°C pins (1,2 - 4,3) 0.0117 ohms maximum

FRONT VIEW



SCHEMATIC



Notes:

- 1) All Dimensions are in millimeters unless otherwise specified.
- 2) Tolerances are +/- 0.25 unless stated otherwise.
- 3) All soldering surfaces to be coplanar within 0.127 millimeters.
- 4) wwlllyy = (Date Code) R= (Revision Level)
- 5) PCB tolerances are +/- 0.127 unless stated otherwise.

COIL TRONICS, INCORPORATED

6000 Park of Commerce Blvd, Boca Raton, FL 33487

Inductor, 22uH, 8.5Arms, 6.8Apk, SMT,
 AMORPHOUS, (L50)

Size	Drawing Number:	CTX06-14622
A	Revision Level:	A
		Sheet 3 of 4