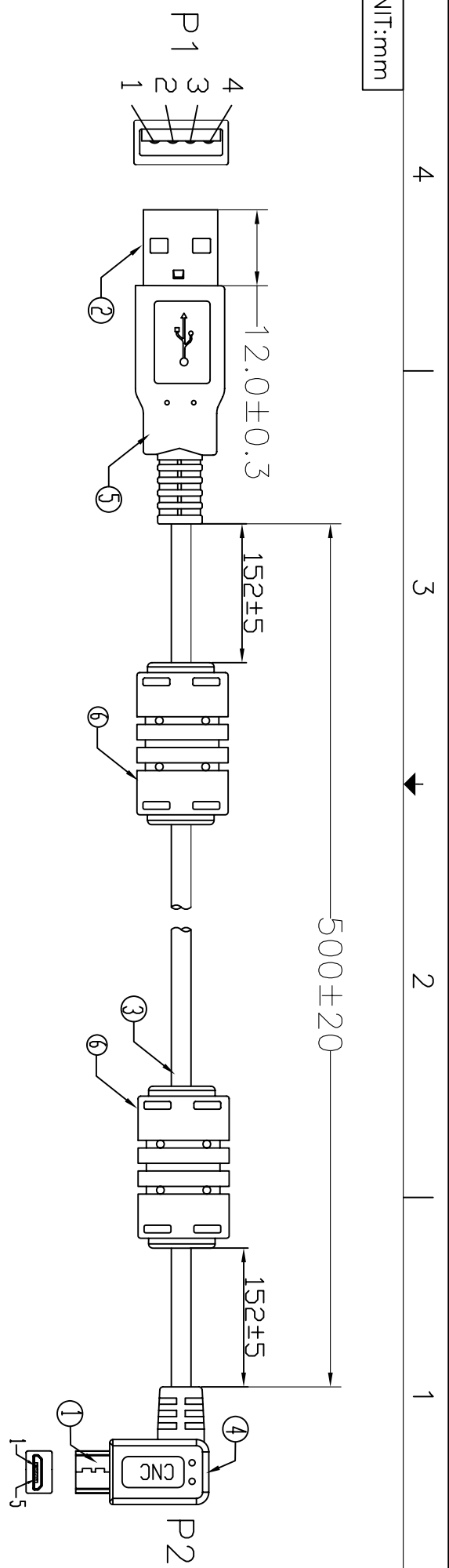


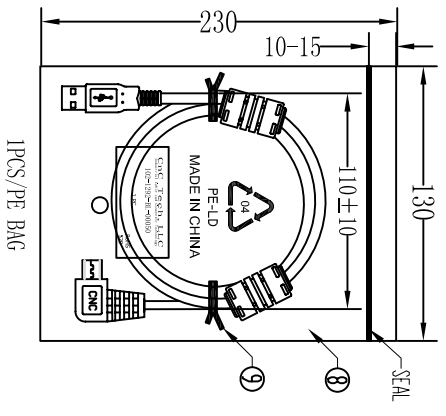
UNIT:mm



Electrical test:
 1. 100% short, open, miswire test
 2. Conduct resistance: 2 Ohm(max)
 3. Insulation resistance: 10Mohm(min)
 4. dielectric test: DC 300V

PIN ASSIGNMENT

P1	RED	P2
1	WHITE	1
2	GREEN	2
3	BLACK	3
4	DRAIN+BRAID	5
SHELL		SHELL



IPCS/PE BAG

⑨	TIE	2	BLACK L=80mm
⑧	PE BAG	1/10	CLEAR SIZE:280*330*0.05mm PRINT BLACK"MADE IN CHINA"+"10PCS".
⑦	PE BAG	1	CLEAR SIZE:130*230*0.05mm PRINT BLACK"MADE IN CHINA"+"1PC".
⑥	OUT JACKET	18g	BLACK 45P PVC (MOLD NO:CH003)
	FERRITE	2	CORE OD12*5.6*120
⑤	OUT JACKET	6g	BLACK PVC-40P (MOULD NO:WM-40)
④	OUT JACKET	6g	BLACK PVC-40P
③	CABLE	1	USB2.0 UL2725 (28AWG*1P+24AWG*2C)+AEB(48B AIMG) JACKET:BLACK OD:4.5mm
②	CONN	1set	USB A MALE SHELL:NICKEL PIN:G/F 3PCS TYPE INSULATOR COLOR:WHITE
①	CONN	1	MICRO USB 5P B/M SOLDER TYPE SHELL:NICKEL PIN:G/F INSULATOR COLOR:BLACK
NO.	NAME	Q'TY	SPECIFICATION

CNC Tech, LLC
 Industrial Cable and Connector Technology

DRAWN	licheng	DRAWING NO	
CHECKED		CUSTOMER	CNC
APPROVAL		ITEM NO.	102-1292-BL-00050
DECIDED		DATE	2012-12-20
VERSIONS/EDIT/TEON	A/0	PROJECTION	

A

B

C

D

A

B

C

D

4

3

2

1