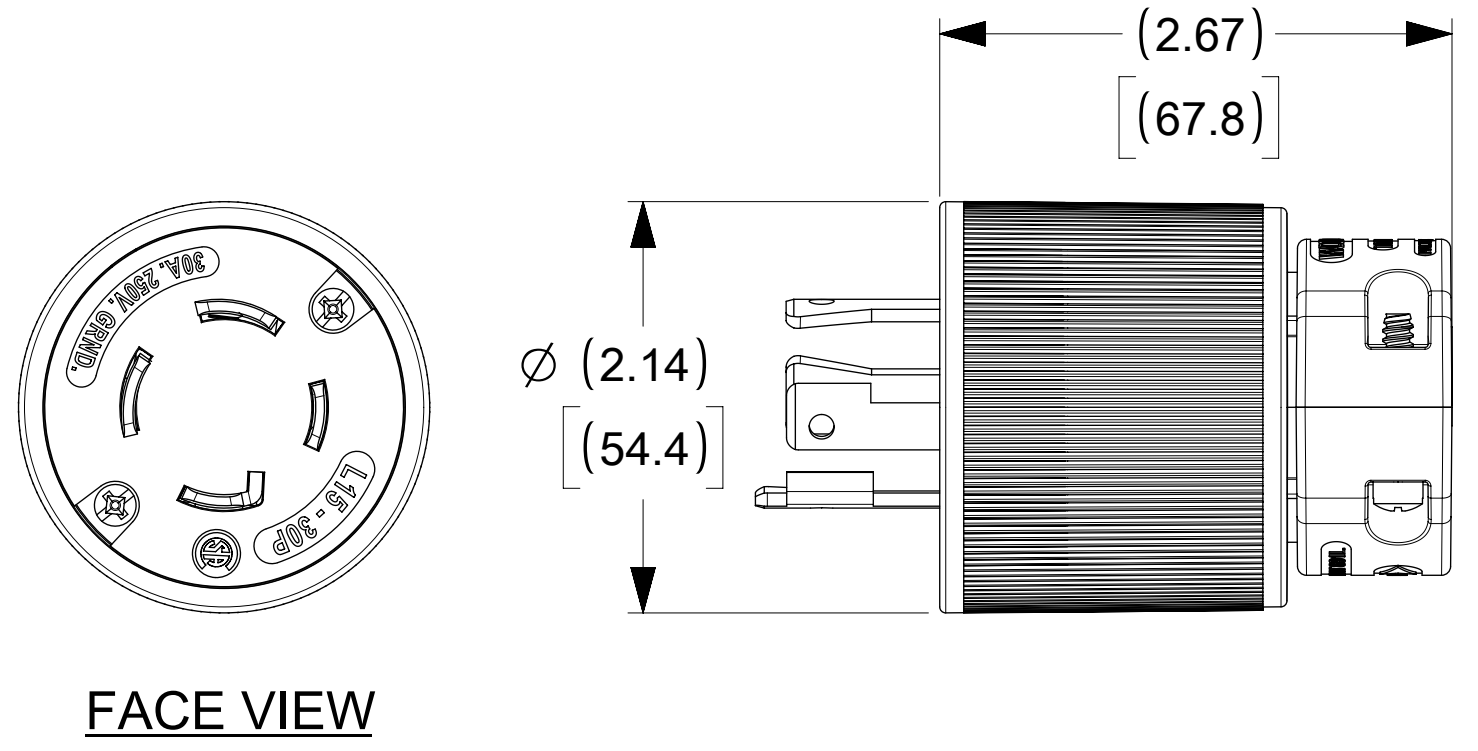
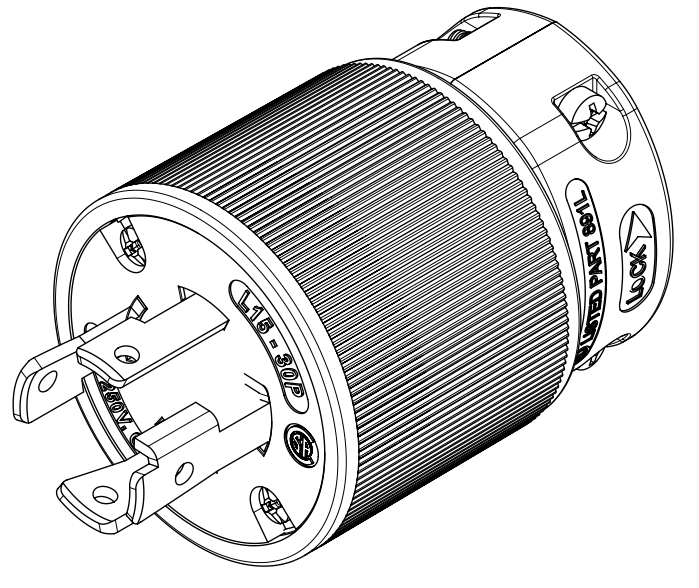
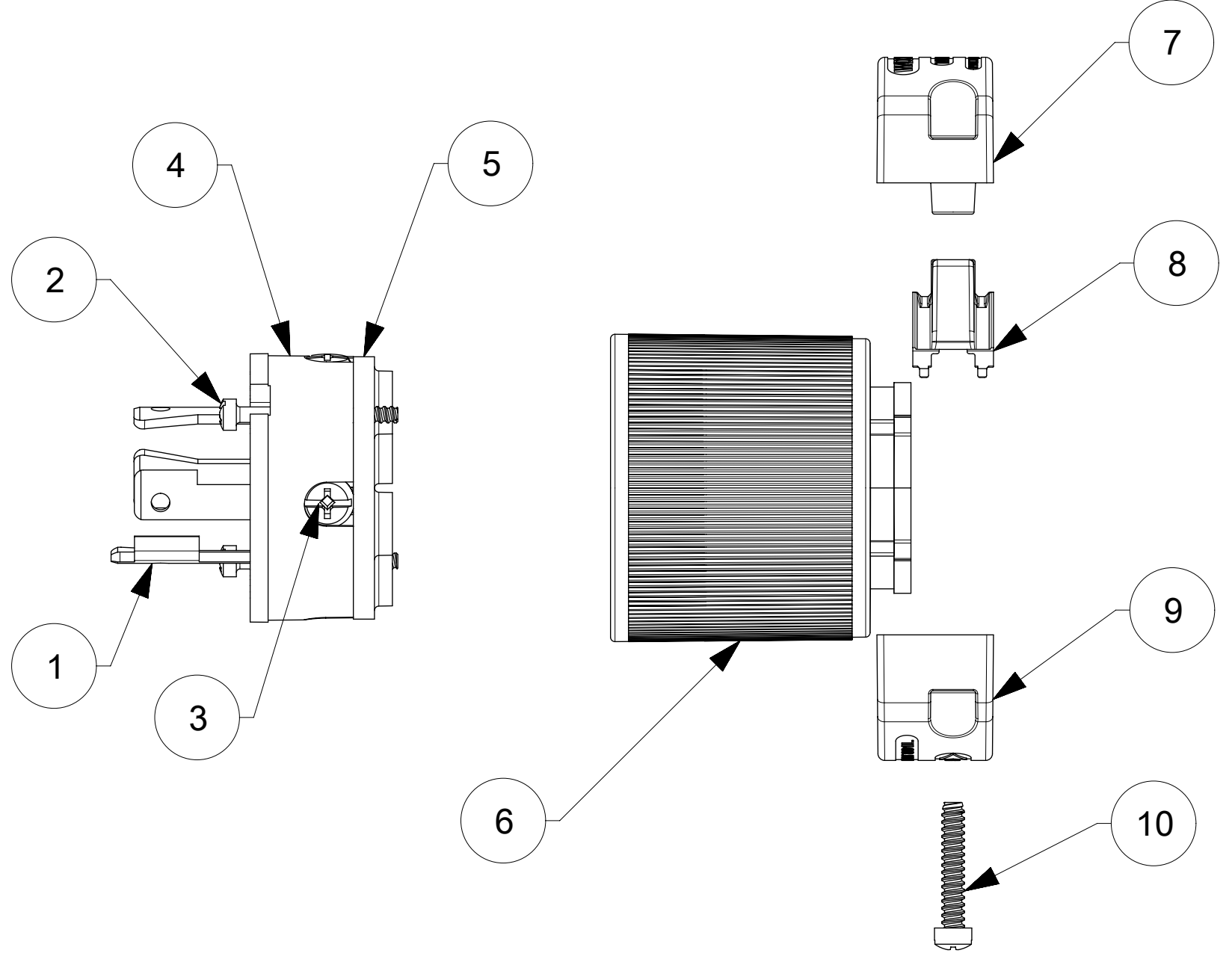
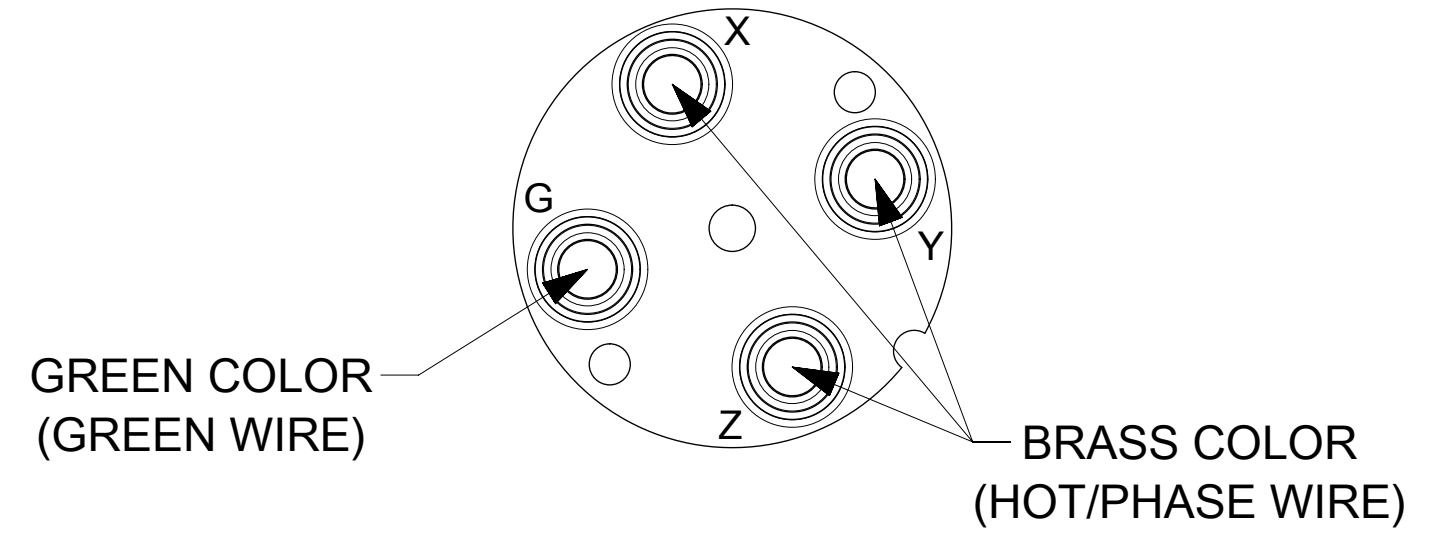


ORDER NO.	WOODHEAD NO.	COLOR
130145-0054	28T75	BLACK
130145-0055	28T75YL	YELLOW



WIRING TERMINATION



ITEM NO.	DESCRIPTIONS	MATERIAL	QTY.
1	BLADES	BRASS	4
2	RETAINING SCREWS	STAINLESS STEEL	2
3	TERMINAL SCREWS/CLAMP ASSEMBLY	BRASS, ZINC PLATED	4
4	INSERT	NYLON	1
5	TERMINAL COVER	POLYCARBONATE	1
6	HOUSING	NYLON	1
7	CLAMP CORD MALE	NYLON	1
8	CLAMP CORD INSERT	NYLON	1
9	CLAMP CORD FEMALE	NYLON	1
10	RETAINING SCREWS	STAINLESS STEEL	2

SYMBOLS DIMENSION UNITS: INCH[MM] SCALE: NTS GENERAL TOLERANCES (UNLESS SPECIFIED): 4 PLACES: ± 3 PLACES: ± 2 PLACES: ± 1 PLACE: ± 0 PLACES: ± ANGULAR TOL: ± ° DRAFT WHERE APPLICABLE MUST REMAIN WITHIN DIMENSIONS	THIS DRAWING CONTAINS INFORMATION THAT IS PROPRIETARY TO MOLEX ELECTRONIC TECHNOLOGIES, LLC AND SHOULD NOT BE USED WITHOUT WRITTEN PERMISSION CURRENT REV DESC: NEW RELEASE		 SAFEWAY PLUG TURNEX 3P4W L15-30 PRODUCT CUSTOMER DRAWING
	EC NO: 621489 DRWN: VBASUTHKARP 2019/02/20 CHK'D: DNGUYEN62 2019/12/02 APPR: HKNEELAND 2020/01/13	INITIAL REVISION: DRWN: VBASUTHKARP 2019/02/20 APPR: HKNEELAND 2020/01/13	
THIRD ANGLE PROJECTION DRAWING SERIES: C-SIZE 130145	MATERIAL NUMBER: SEE TABLE CUSTOMER: GENERAL MARKET	SHEET NUMBER: 1 OF 1	