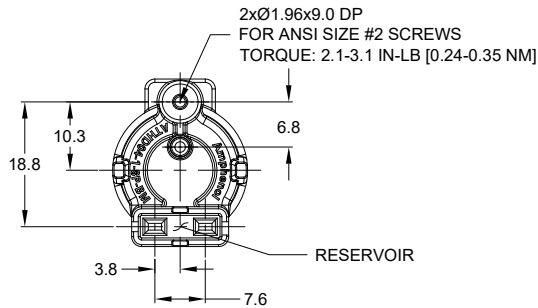
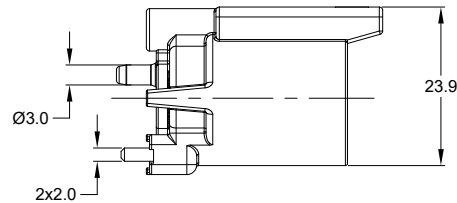
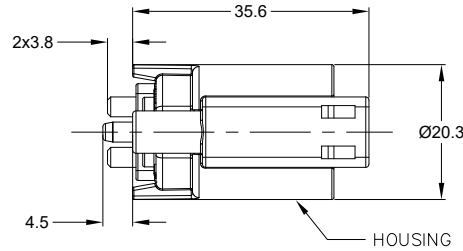
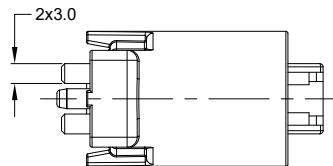


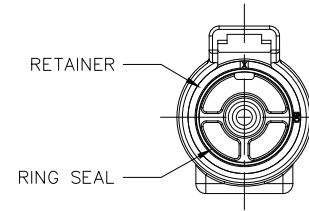
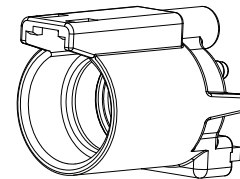
RECOMMENDED PCB LAYOUT



RESERVOIR



REVISIONS					
REV	ECO	DESCRIPTION	DATE	BY	APPR
A1	-	RELEASED DRAWING	DEC-10-21	VITO	TOMMY



ATHD04-1-8P-BM1X VARIANTS			
CONTACT PLATING	POTTING OR NOT IN RESERVOIR	PART NUMBER	WEIGHT (GRAMS)
MATING END: GOLD PCB END: TIN	NO POTTING	ATHD04-1-8P-BM11	13.1
MATING END: GOLD PCB END: TIN	POTTING	ATHD04-1-8P-BM12	13.9
MATING END: NICKEL PCB END: TIN	NO POTTING	ATHD04-1-8P-BM13	13.1
MATING END: NICKEL PCB END: TIN	POTTING	ATHD04-1-8P-BM14	13.9

NOTES: UNLESS OTHERWISE SPECIFIED

- MATERIAL:  
HOUSING, RETAINER: THERMOPLASTIC; COLOR: BLACK  
CONTACT: COPPER ALLOY  
SEAL: SILICONE RUBBER
- MODIFICATIONS: BOARD MOUNT, SCREW BOSS
- SPECIFICATIONS:  
3.1 CURRENT RATING: 60 AMPS  
3.2 OPERATING TEMPERATURE: -55°C TO +125°C  
3.3 DIELECTRIC WITHSTANDING VOLTAGE: LESS THAN 2 MILLIAMPS CURRENT LEAKAGE @ 1500 VOLTS AC.  
3.4 INSULATION RESISTANCE: 1000 MEGOHMS MIN @ 25°C.  
3.5 MOISTURE RESISTANCE:  
IP68 (IM OF WATER FOR A PERIOD OF 24 HOURS, MATED CONDITION);  
IP69K (MATED CONDITION)  
3.6 MATING CYCLE DURABILITY: 100 CYCLES  
3.7 RoHS COMPLIANT
- MATING PART: ATHD06-1-8S-XX PLUG (XX = MODIFICATIONS)
- ALL DIMENSIONS ARE FOR REFERENCE USE ONLY.

ATHD04-1-8P-BM1X		DESCRIPTION		ITEM
QUANTITY	PART NUMBER	MATERIALS LIST		
UNLESS OTHERWISE SPECIFIED				
1) All dimensions are in metric (mm).				
2) Tolerances are as follows:				
DRAWN: VITO LI		DATE: DEC-10-21		
CHECKED: ORION LI		DATE: DEC-13-21		
ENGINEER:		APPROVAL: TOMMY XIE DEC-14-21		
MATERIAL SPECIFICATIONS:		CUSTOMER:		
PROCESS SPECIFICATIONS:		THIS DRAWING IS SUPPLIED FOR INFORMATION ONLY. DESIGN FEATURES, SPECIFICATIONS AND PERFORMANCE DATA SHOWN HEREON ARE THE PROPERTY OF THE AMPHENOL CORPORATION. NO RIGHTS OF REPRODUCTION ARE IMPLIED. ALL DIMENSIONS ARE SUBJECT TO NORMAL MANUFACTURING VARIATIONS.		
NEXT ASSY:		SCALE: NONE		
SIZE: B		TYPE: C-		REVISION: A1
DWG NO: ATHD04-1-8P-BM1X		SHEET 1 OF 1		

TITLE: SINGLE POLE RECEPTACLE, PIN, SIZE 8, BOARDLOCK ATHD SERIES, SCREW BOSS  
DWG NO: ATHD04-1-8P-BM1X  
REV: A1  
SH: 1  
OF: 1

**Amphenol**

Sine Systems - www.amphenol-sine.com  
44724 Morley Drive  
Clinton Township, MI 48036

SINGLE POLE, RECEPTACLE, PIN, SIZE 8,  
BOARDLOCK ATHD SERIES, SCREW BOSS