

Retaining bracket - SIM-ERSN-HB-MR - 2271471

Please be informed that the data shown in this PDF Document is generated from our Online Catalog. Please find the complete data in the user's documentation. Our General Terms of Use for Downloads are valid (<http://phoenixcontact.com/download>)

Retainer, for miniature relay



Key commercial data

Packing unit	1 pc
Weight per Piece (excluding packing)	2.14 GRM
Custom tariff number	39269097
Country of origin	Germany

Technical data

Dimensions

Hole diameter	1.3 mm
Pitch	5 mm

General

Nominal current I_N	2-pos.
-----------------------	--------

Classifications

eCl@ss

eCl@ss 4.0	27371190
eCl@ss 4.1	27371190
eCl@ss 5.0	27371692
eCl@ss 5.1	27371692
eCl@ss 6.0	27371001
eCl@ss 7.0	27371001
eCl@ss 8.0	27371001

Retaining bracket - SIM-ERSN-HB-MR - 2271471

Classifications

ETIM

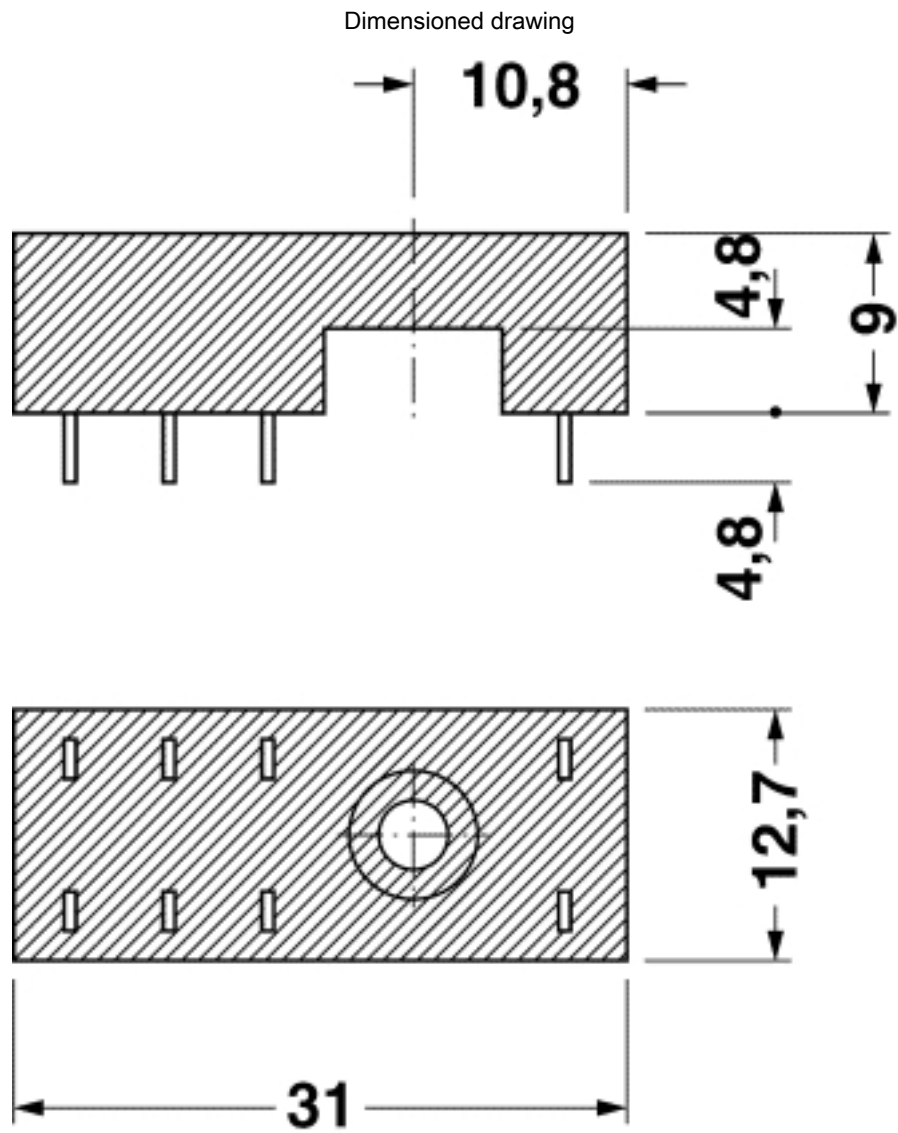
ETIM 2.0	EC000196
ETIM 3.0	EC000196
ETIM 4.0	EC002586
ETIM 5.0	EC002586

UNSPSC

UNSPSC 6.01	30211916
UNSPSC 7.0901	39121515
UNSPSC 11	39121515
UNSPSC 12.01	39121515
UNSPSC 13.2	39121515

Drawings

Retaining bracket - SIM-ERSN-HB-MR - 2271471



Retaining bracket - SIM-ERSN-HB-MR - 2271471

Drilling diagram

