

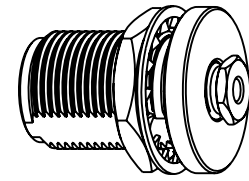
NOTES:

1. MATERIALS AND FINISHES:  
 BODY - BRASS, ALBALOY PLATING  
 CONTACT - BERYLLIUM COPPER & BRASS, GOLD PLATING  
 INSULATOR - PTFE, NATURAL  
 GASKETS - SILICONE RUBBER
2. ELECTRICAL:  
 A. IMPEDANCE: 50 OHM  
 B. FREQUENCY RANGE: DC-3 GHz  
 C. DIELECTRIC WITHSTANDING VOLTAGE: 900 VRMS, MIN.
3. MECHANICAL:  
 A. DURABILITY: 500 CYCLES MIN.  
 B. TEMPERATURE RANGE: -65°C TO 165°C
4. CONTACT PIN TO SOLDER
5. MAX. PANEL THICKNESS=6.5MM

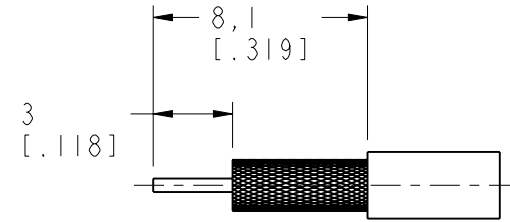
THIRD ANGLE PROJ.

REVISIONS

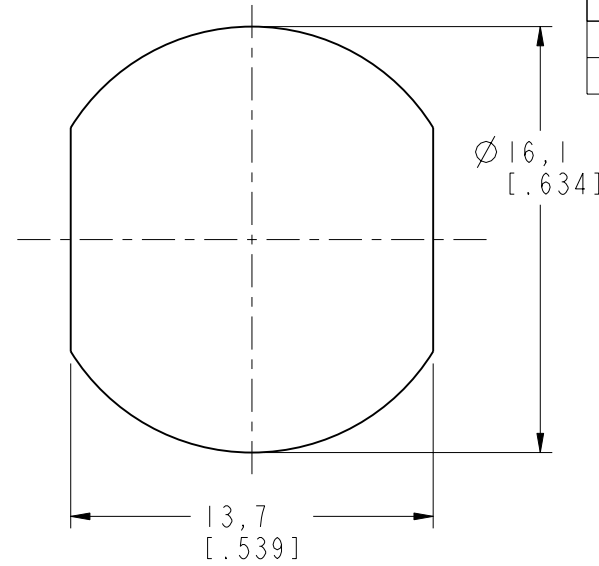
REV	DESCRIPTION	DATE	ECO	APPR
NC	INITIAL RELEASE	11-Sep-98	----	GRS
A	UPDATE DRAWING FORMAT	01-May-04	----	GRS
B	SYNCH THE DRAWING WITH ARFA	15-Apr-14	2736	MZ



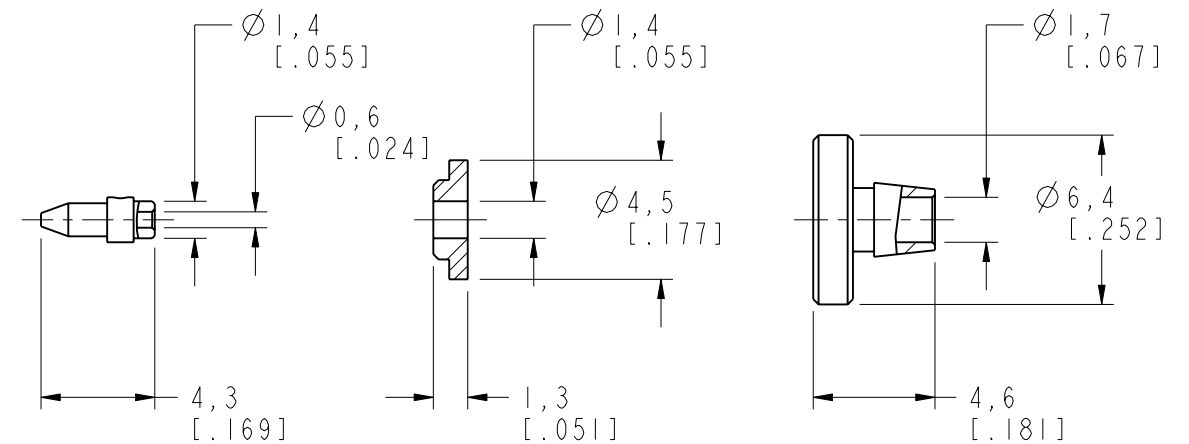
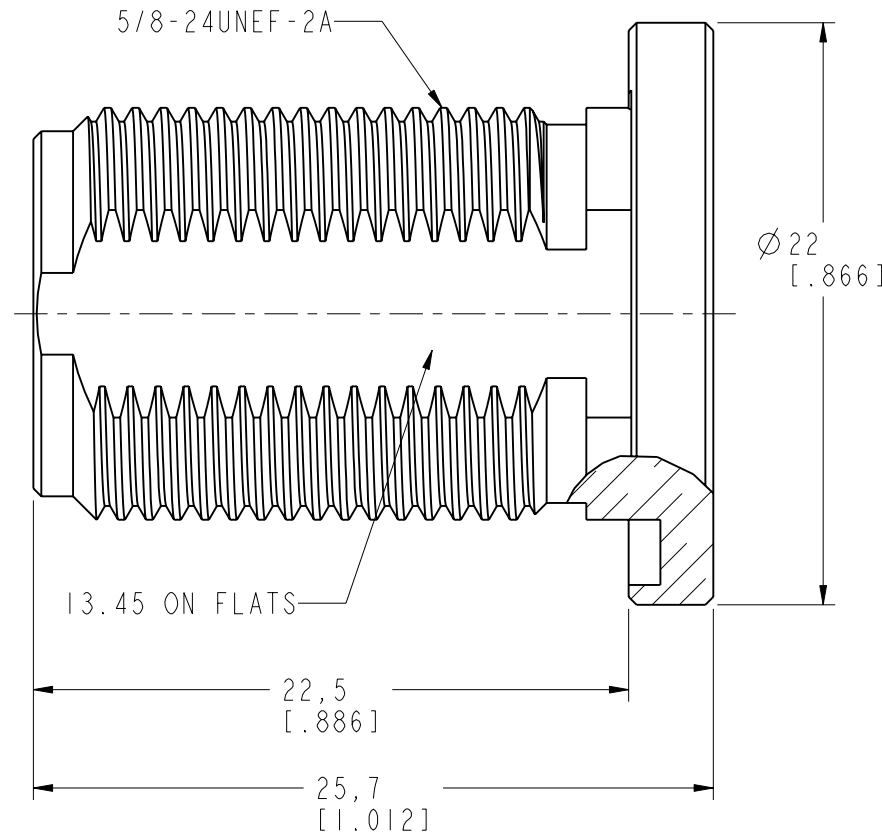
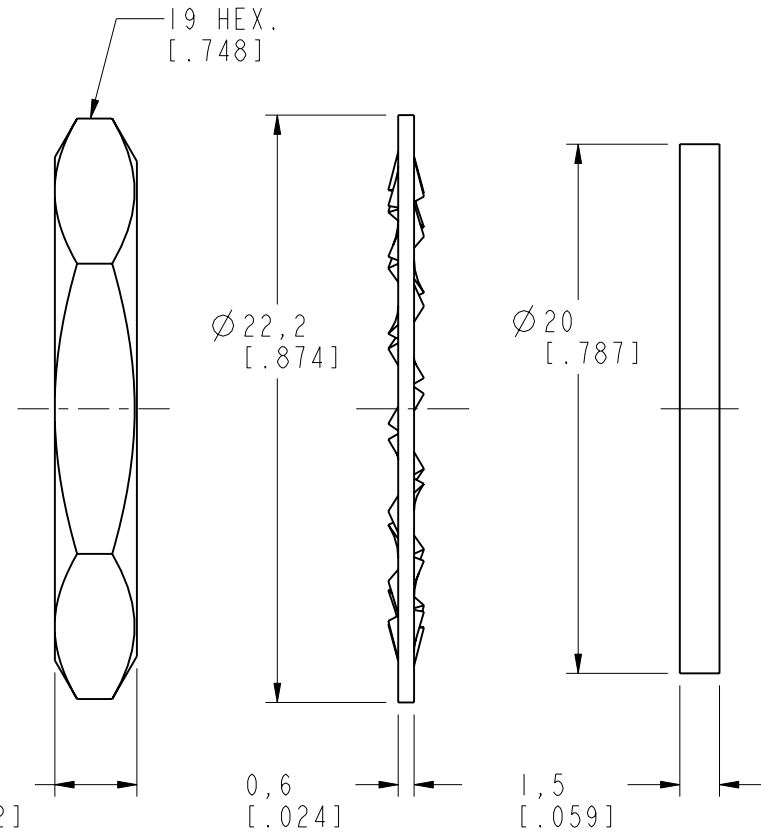
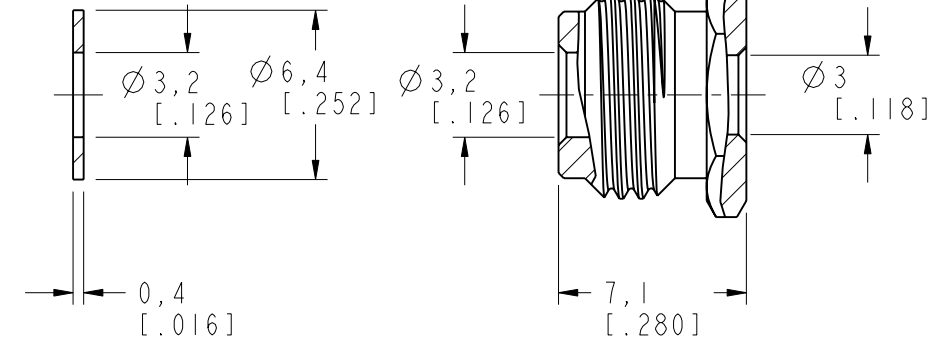
SCALE 1.000



RECOMMENDED CABLE STRIPPING DIMENSIONS



RECOMMENDED MOUNTING HOLE DIMENSIONS



**CUSTOMER OUTLINE DRAWING**

ALL OTHER SHEETS ARE FOR INTERNAL USE ONLY

UNLESS OTHERWISE SPECIFIED, DIMENSIONS ARE IN METRIC AND TOLERANCES ARE:  
 <0.5mm ±0.05mm    0.5 - 6mm ±0.1mm    6 - 30mm ±0.2mm    30 - 120mm ±0.3mm    ANGLES ±1°

NOTICE - These drawings, specifications, or other data (1) are, and remain the property of Amphenol corp. (2) must be returned upon request; and (3) are confidential and not to be disclosed to any person other than those to whom they are given by Amphenol Corp. the furnishing of these drawings, specifications, or other data by Amphenol Corp., or to any other person to anyone for any purpose is not to be regarded by implication or otherwise in any manner licensing, granting rights to permitting such holder or any other person to manufacture, use or sell any product, process or design, patented or otherwise, that may in any way be related to or disclosed by said drawings, specifications, or other data.

MATERIAL	
REFERENCE	ARFA P/N: N6441HI-002-AT30GA-316U-50
CONFIGURATION LEVEL:	
FINISH	

DRAWN	M. ZHANG	DATE	15-Apr-14
ENGINEER	F. WANG	DATE	22-Mar-12
APPROVED	S. HSIEH	DATE	15-Apr-14
CAD FILE			

TITLE	
N BULKHEAD CLAMP JACK (FOR RG-174/U, 188A/U, 316/U CABLE)	
SCALE: 3.5:1.0	SHEET 3 OF 3
DWG SIZE B	REV B

<b>Amphenol Connex</b>	
DRAWING NO.	
ITEM NO.	
PART NO.	172143-10