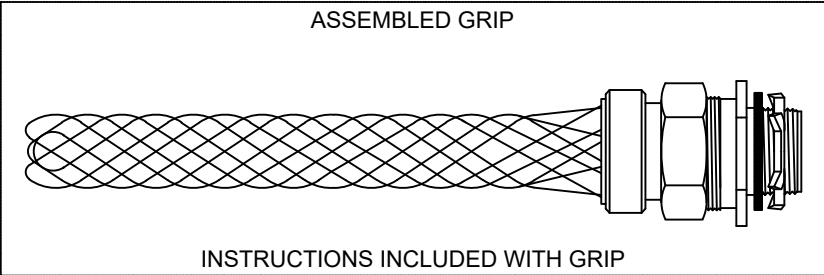
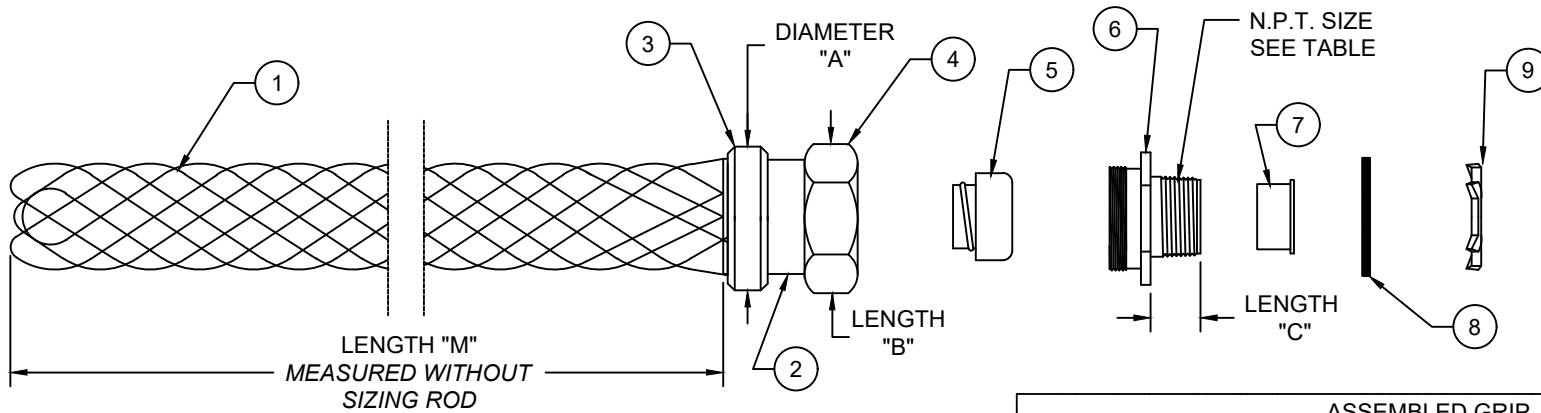


| CATALOG NUMBER | MATERIAL NUMBER | CONDUIT SIZE | N.P.T. FITTING SIZE | LENGTH "M" | DIAMETER "A" REF. | LENGTH "B" REF. | LENGTH "C" REF. | PRODUCT SELECTION NUMBER | UL LISTED | CSA APRVD |
|----------------|-----------------|--------------|---------------------|-----------------------------|-------------------|-----------------|-----------------|--------------------------|-----------|-----------|
| 36440 | 1300960056 | 3/8" | 1/2" | 3.875±0.500 / 98.43±12.70 | 1.0 / 25 | 1.13 / 28.7 | 0.63 / 16.0 | STB038P | YES | YES |
| 36370 | 1300960034 | 1/2" | 1/2" | 4.625±0.500 / 117.48±12.70 | 1.2 / 30 | 1.25 / 31.8 | 0.63 / 16.0 | STB050P | | |
| 36371 | 1300960036 | 3/4" | 3/4" | 5.750±0.500 / 146.05±12.70 | 1.4 / 36 | 1.50 / 38.1 | 0.63 / 16.0 | STB075P | | |
| 36372 | 1300960037 | 1" | 1" | 7.000±0.500 / 177.80±12.70 | 1.7 / 43 | 1.81 / 45.9 | 0.75 / 19.1 | STB100P | | |
| 36373 | 1300960038 | 1-1/4" | 1-1/4" | 8.125±1.000 / 206.38±25.40 | 2.0 / 51 | 2.31 / 58.7 | 0.63 / 16.0 | STB125P | | |
| 36374 | 1300960039 | 1-1/2" | 1-1/2" | 9.250±1.000 / 234.95±25.40 | 2.5 / 64 | 2.63 / 66.8 | 0.63 / 16.0 | STB150P | | |
| 36375 | 1300960040 | 2" | 2" | 11.500±1.000 / 292.10±25.40 | 3.0 / 76 | 3.19 / 81.0 | 0.69 / 17.5 | STB200P | | |
| 37030 | 1300960065 | 2-1/2" | 2-1/2" | 11.250±1.000 / 285.75±25.40 | 3.6 / 91 | 3.94 / 100.1 | 1.06 / 26.9 | STB250P | | |



| ITEM | DESCRIPTION | MATERIAL |
|------|-------------------|-------------------------------------|
| 1 | WIRE MESH | STAINLESS STEEL |
| 2 | INNER RING | ZINC PLATED STEEL |
| 3 | OUTER RING | ALUMINUM |
| 4 | COMPRESSION NUT | ZINC PLATED STEEL OR MALLEABLE IRON |
| 5 | FERRULE | ZINC PLATED STEEL OR ALUMINUM |
| 6 | THREADED BODY | ZINC PLATED STEEL OR MALLEABLE IRON |
| 7 | THROAT INSULATION | PLASTIC |
| 8 | GASKET | NEOPRENE |
| 9 | LOCK NUT | ZINC PLATED STEEL |

| | | | | | |
|--|---------------------------------------|--------|---------------------------|--|-------------------------|
| FUNCTIONAL SYMBOLS $F_A=0$ $F_C=0$ $F_F=0$ | DIMENSION UNITS INCH/MM | | SCALE NTS | CURRENT REV DESC: OBSOLETE PART NUMBER AS PER PCN#510808 | |
| | GENERAL TOLERANCES (UNLESS SPECIFIED) | | | EC NO: 736640 | |
| | | mm | INCH | DRWN: SUGEEB 2022/12/21 | |
| | 4 PLACES | ± ---- | ± ---- | 2023/02/14 | |
| DIVISIONAL SYMBOLS | 3 PLACES | ± ---- | ± 0.005 | CHK'D: LIKITV | |
| | 2 PLACES | ± 0.13 | ± 0.01 | APPR: GGA 2023/02/16 | |
| | 1 PLACE | ± 0.25 | ± 0.02 | INITIAL REVISION: | |
| | 0 PLACES | ± ---- | ± ---- | DRWN: HRUIZ01 2014/09/22 | |
| | ANGULAR TOL ± 0.5 ° | | APPR: JFMURPHY 2015/04/27 | | |
| DRAFT WHERE APPLICABLE MUST REMAIN WITHIN DIMENSIONS | | | THIRD ANGLE PROJECTION | DRAWING A-SIZE | SERIES 130096 |

| | | | | | |
|------------------------------------|--|----------------|-----|--------------|----------|
| molex | | | | | |
| STRAIN RELIEF | | | | | |
| LIQUID TIGHT CONDUIT STRAIGHT-MALE | | | | | |
| PRODUCT CUSTOMER DRAWING | | | | | |
| DOCUMENT NUMBER | | DOC TYPE | | DOC PART | REVISION |
| SD-130096-100 | | PSD | 001 | A1 | |
| MATERIAL NUMBER | | CUSTOMER | | SHEET NUMBER | |
| SEE TABLE | | GENERAL MARKET | | 1 OF 1 | |