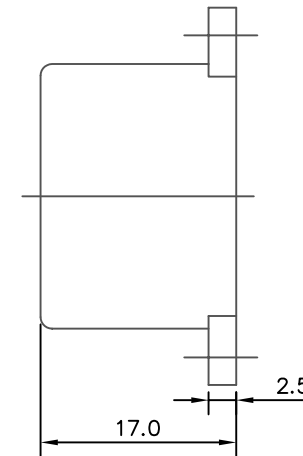
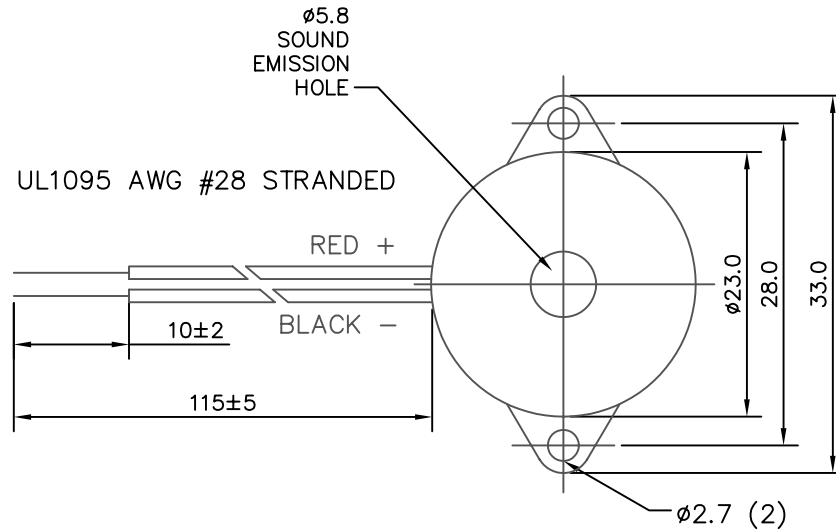


THIS DOCUMENT CONTAINS DATA PROPRIETARY TO PROJECTS UNLIMITED, INC. ANY USE OR REPRODUCTION, IN ANY FORM, WITHOUT PRIOR WRITTEN PERMISSION OF PROJECTS UNLIMITED, INC. IS PROHIBITED.
© 2003, Projects Unlimited Inc.

SPECIFICATIONS

| PARAMETERS | VALUES | UNITS |
|-------------------------|------------|--------------------|
| RATED VOLTAGE | 12 | Vdc |
| OPERATING VOLTAGE RANGE | 3 ~ 16 | Vdc |
| RATED CURRENT (MAX) | 8 | mA |
| MINIMUM SPL @ 10 cm. | 100 | dBA |
| RESONANT FREQUENCY | 3,700±500 | Hz |
| tone OR PULSE RATE | CONTINUOUS | 0 PULSE PER SECOND |
| OPERATING TEMPERATURE | -20 ~ +60 | °C |
| STORAGE TEMPERATURE | -30 ~ +70 | °C |
| HOUSING MATERIAL | ABS | - |
| TERMINAL MATERIAL | LEAD WIRE | - |
| WEIGHT | 5 | grams |

| REVISIONS | | | |
|-----------|---------------------------|---------|----------|
| LTR | DESCRIPTION | DATE | APPROVED |
| - | RELEASED FROM ENGINEERING | 4/18/02 | |
| A | REVISED RATED CURRENT | 11/4/02 | S. J. |
| B | REVISED TO NEW TEMPLATE | 5/5/04 | R. W. |
| C | ADDED S.E. HOLE DIM | 8/18/05 | R. W. |



NOTES:

1. ALL DIMENSIONS ARE IN MILLIMETERS.
2. SPECIFICATION SUBJECT TO CHANGE OR WITHDRAWAL WITHOUT NOTICE.

FILE NAME
AI-250.DWG

UNLESS OTHERWISE SPECIFIED:
DIMENSIONS ARE IN
MILLIMETERS, TOLERANCES ARE ±0.5 AND
ANGLES ARE ±3°.

| APPROVALS | DATE |
|-----------------------|------|
| DRAWN <i>RABL</i> | 4/02 |
| APPROVED <i>S. J.</i> | 6/02 |

DO NOT SCALE DRAWING



projects®
unlimited

Dayton, Ohio

AUDIO INDICATOR
AI-250

SIZE
A

DRAWING NO.
AI-250

SCALE: N.T.S.

SHEET 1 OF 1