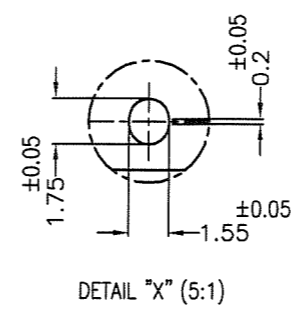
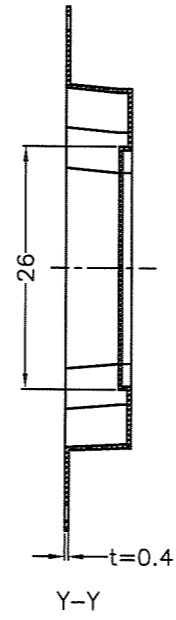
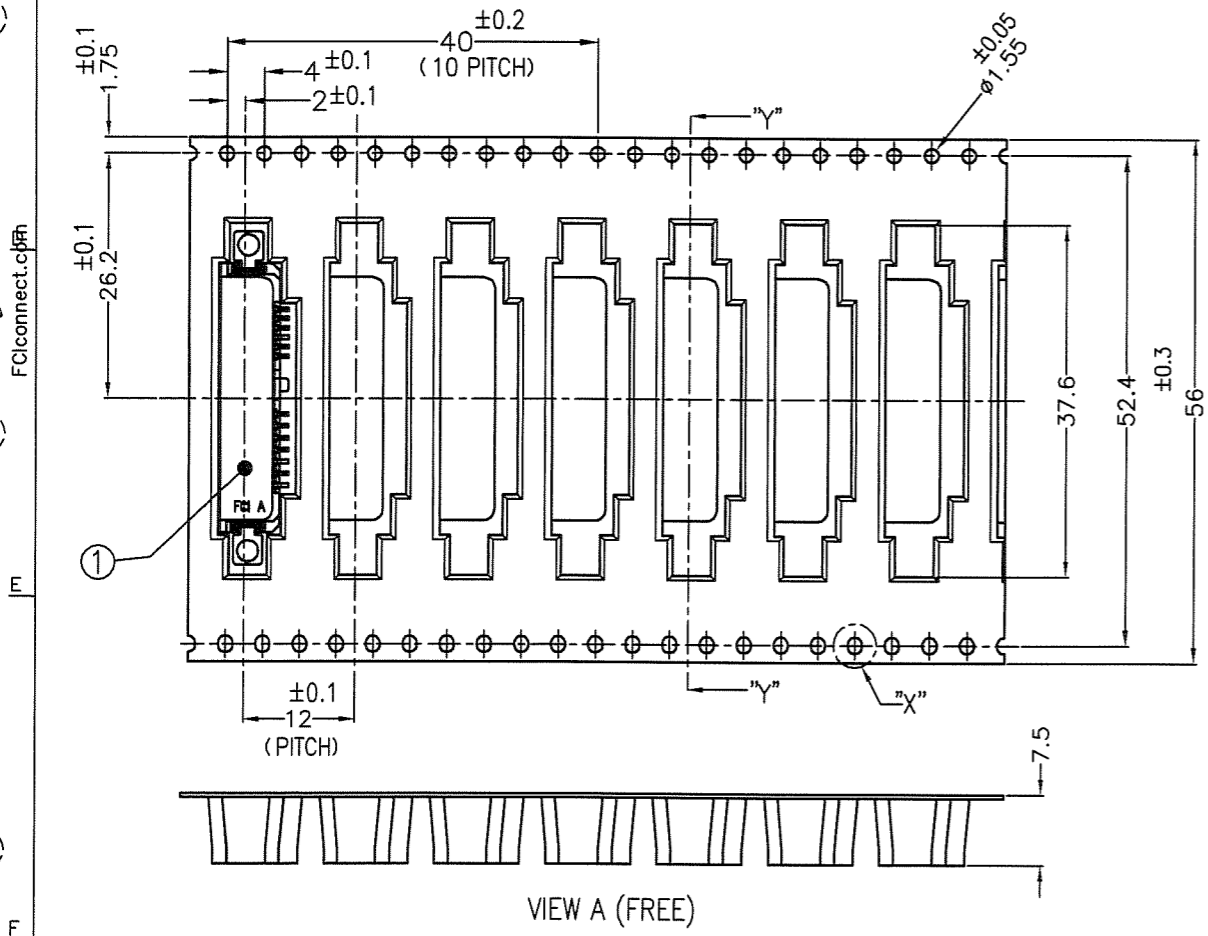
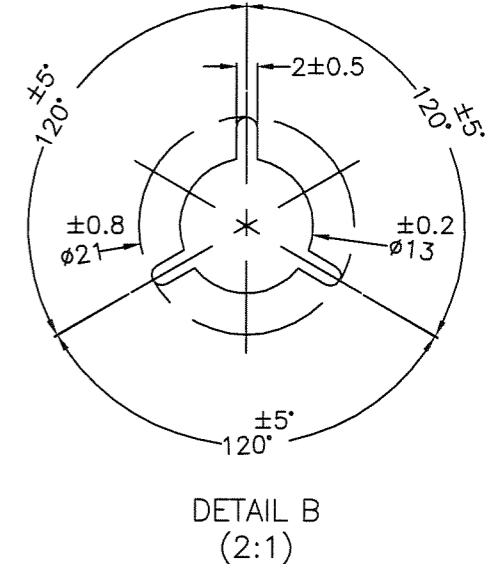
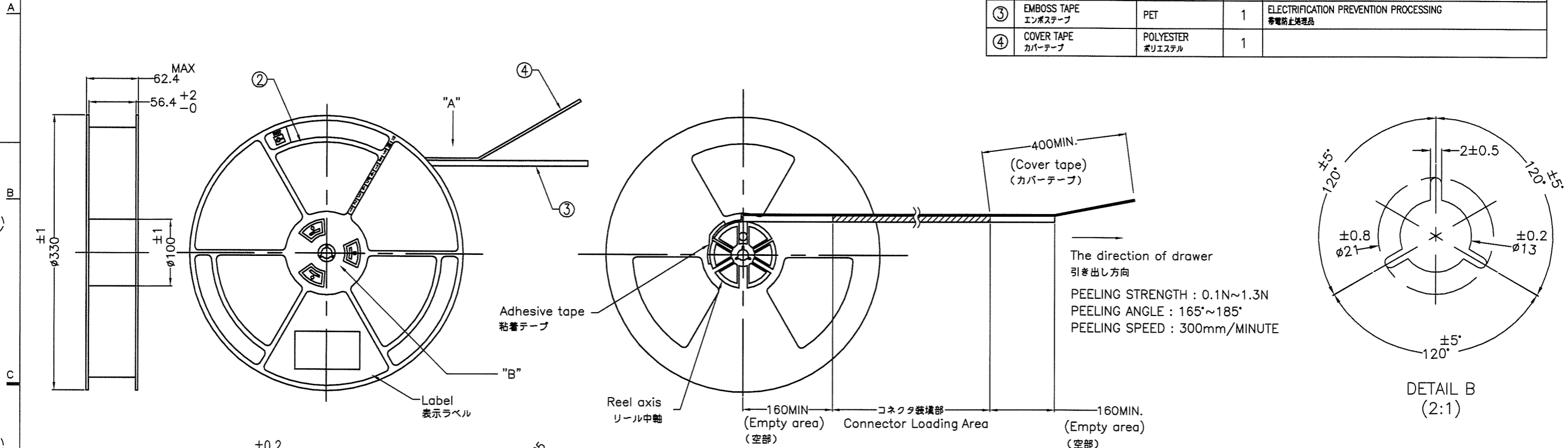


PRODUCT NO.	① CONNECTOR	QTY
10085304-2001ELF	10085304-2001ALF	600
10085304-4001ELF	10085304-4001ALF	600
10085304-4101ELF	10085304-4101ALF	600

EMBOSS PACKAGE

PARTS TABLE 部品表

No.	PART NAME 部品名	MATERIAL 材質	QTY.	NOTE 備考
①	CONNECTOR コネクタ	SEE SHEET 2	600	
②	THE REEL FOR PACKAGING 梱包用リール	POLYSTYRENE ポリスチレン	1	Color : BLACK or BLUE, ELECTRIFICATION PREVENTION PROCESSING 色 : 黒または青、帯電防止処理品
③	EMBOSS TAPE エンボステープ	PET	1	ELECTRIFICATION PREVENTION PROCESSING 帯電防止処理品
④	COVER TAPE カバーテープ	POLYESTER ポリエステル	1	



NOTE

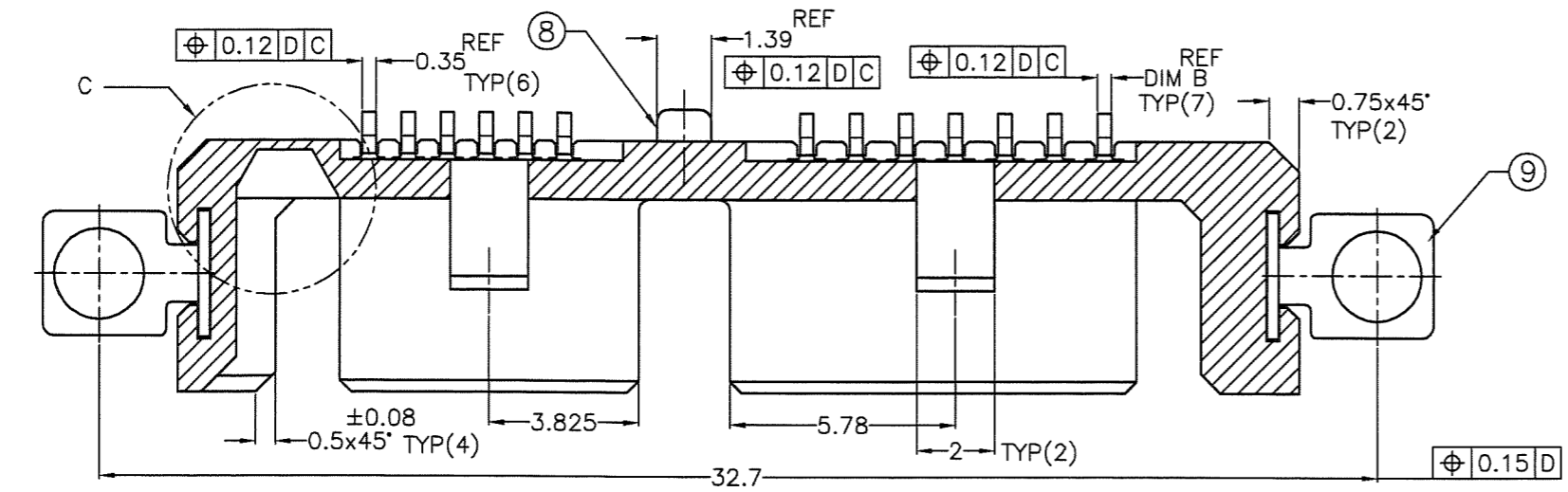
- THIS ARTICLE CARRIES OUT THE EMBOSS TAPE PACKAGE OF THE SLIM LINE SATA CONNECTOR.
- THE SHAPE AND DIMENSION OF THIS ARTICLE ARE BASED ON JIS C 0806. (TAPING OF ELECTRIC PARTS < SURFACE MOUNTED DEVICE >)
- PACKAGING SPEC. : REFER TO GS-14-1268
- PRODUCT SPEC. : REFER TO GS-12-543

注記

- 本品はスリムラインシリアルイーティーイーコネクタをエンボステープ梱包したものである。
- 本品の形状及び寸法規定は JIS C 0806 (電子部品のテーピング (表面実装部品)) に準拠する。
- 梱包規格はGS-14-1268を参照のこと
- 製品規格はGS-12-543を参照のこと

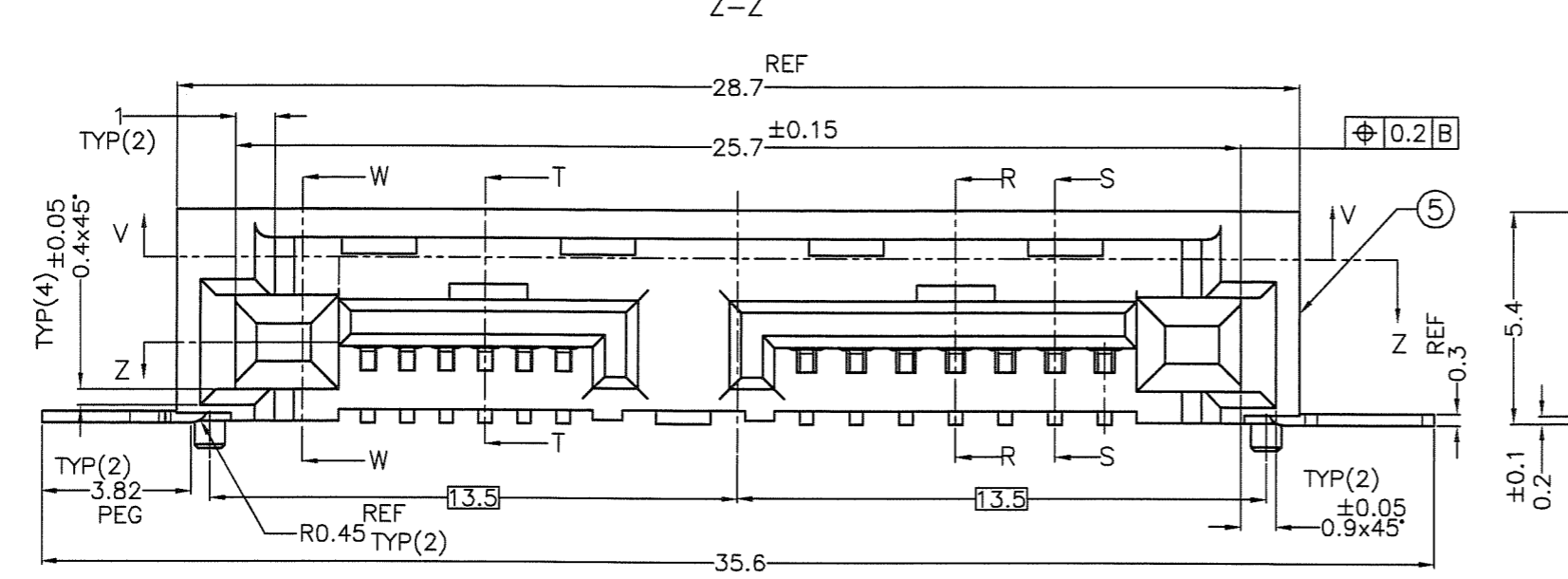
mat'l. code		surface		tolerance		projection		product family		CODE	
ltr	description	ecn no	dr	date	ISO 1302	ISO 406	ISO 1101	mm	530F SATA PLUG SLIM LINE	JP	
A	RELEASED	J08-0078	N.S	2008-2-28	linear	0.X	±0.2		SLIM LINE SATA 7+6P PLUG SCREW(SQUARE), R/A SMT		
B	REVISED	J08-0130	N.S	2008-3-25	linear	0.XX	±0.2		scale 1:3		
C	REVISED	J08-0153	N.S	2008-4-3	±2°	0.XXX	±0.2		dwg no sheet 1 of 4 size		
D	REVISED	J08-0211	N.S	2008-5-18	dr	N.SASAME 2008-4-13		10085304 A2			
E	ADDED_ITEM	J08-0442	N.S	2008-11-18	enrg	N.SASAME 2008-4-13		type PRODUCT CUSTOMER Drawing			
F	REVISED	J08-0087	N.S	2008-3-8	chr	Y. Kawanishi 2008-4-13		Rev. G			
G	REVISED	J08-0134	N.S	2008-4-13	appd	H.SUZUKI 2008-4-13					
sheet	revision	G	G	G	G						
index	sheet	1	2	3	4						

CONNECTOR ASSY

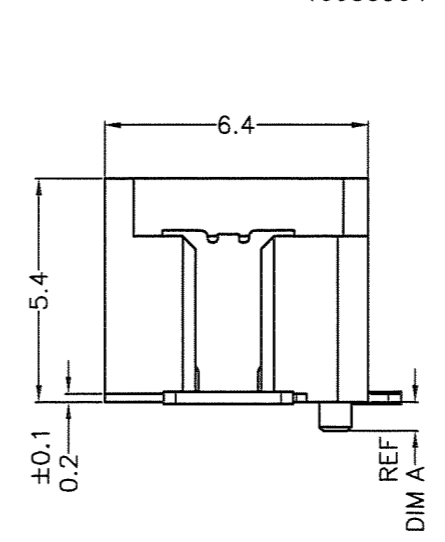


PARTS TABLE 部品表

No.	Part name 部品名	QTY.	Note 備考
⑤	HOUSING ハウジング	1	HIGH TEMP THERMOPLASTIC COLOR : BLACK , UL94V-0
⑥	SIGNAL CONTACT シグナルコンタクト	7	COPPER ALLOY CONTACT AREA : Au SOLDERING AREA : Au or TIN
⑦	POWER CONTACT パワーコンタクト	6	COPPER ALLOY CONTACT AREA : Au SOLDERING AREA : Au or TIN
⑧	SOLDER PEG (CENTER) 溶剤金具 (中央部)	1	COPPER ALLOY TIN PLATING
⑨	SOLDER PEG (L&R) 溶剤金具 (左、右)	2	COPPER ALLOY TIN PLATING



<P/N composition> <P/N 構成>
10085304 - X X X X X L F



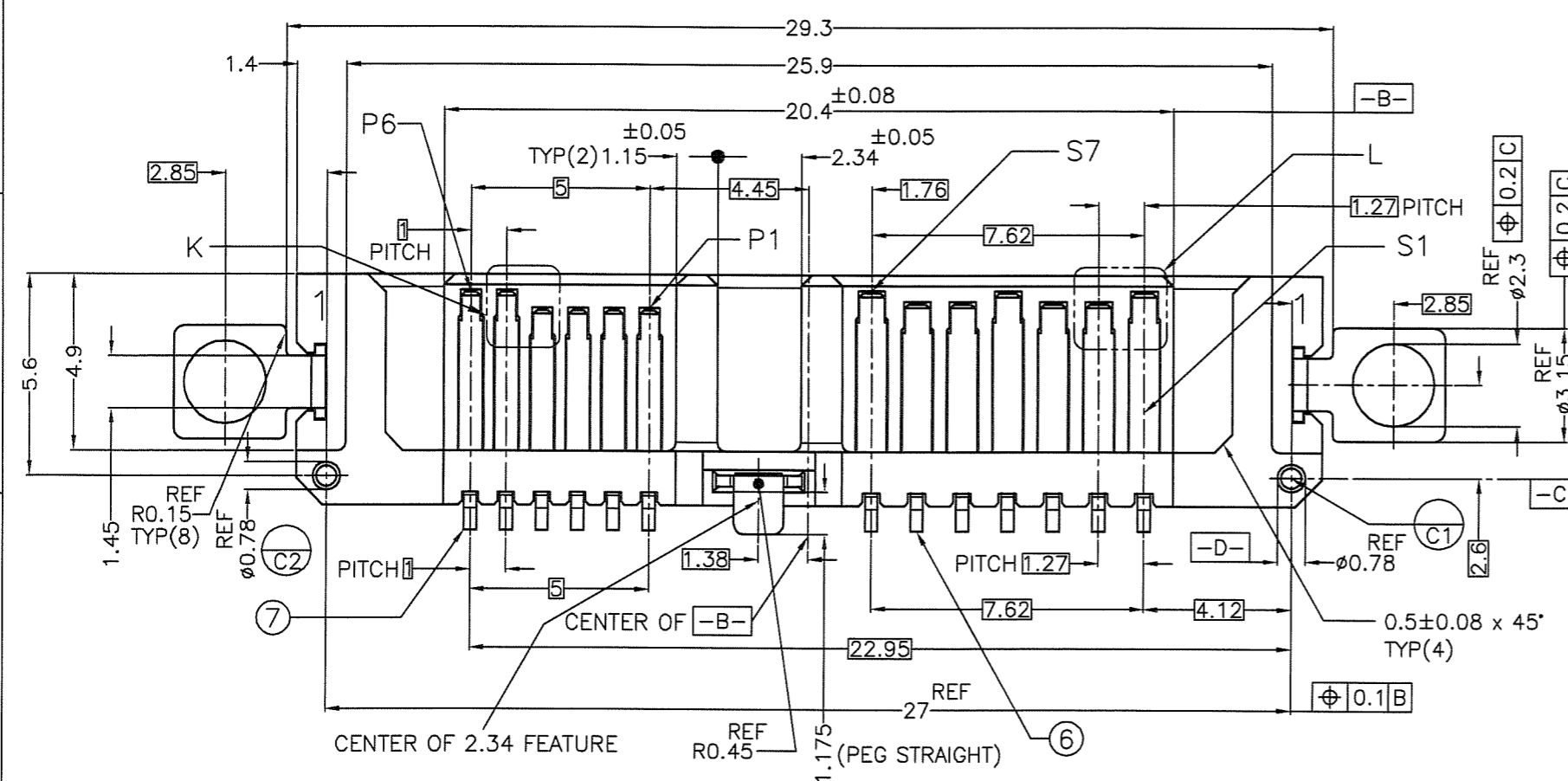
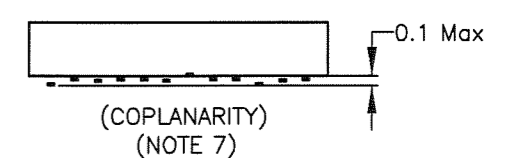
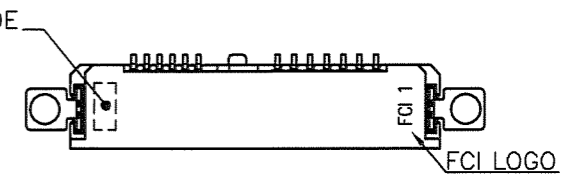
- LEAD-FREE
- PACKAGE SPEC
- E : TAPE AND REEL (EMBOSS ASSY)
- T : TRAY (TRAY ASSY)
- A : CONNECTOR ASSY (NOT PACKAGE)
- CONTACT TAIL LENGTH (DIM C)
 - 0 : 1.0mm
 - 1 : 0.7mm
- SIGNAL CONTACT TAIL WIDTH (DIM B)
 - 0 : 0.35mm
 - 1 : 0.40mm
- HSG BOSS LENGTH (DIM A)
 - 0 : 1.0mm
 - 1 : 0.7mm
- CONTACT PLATING (CONTACT AREA / SOLDERING AREA)
 - 0 : GOLD FLASH (0.05μm) / TIN PLATING
 - 1 : 0.38μm GOLD PLATING / TIN PLATING
 - 2 : 0.76μm GOLD PLATING / TIN PLATING
 - 3 : GOLD FLASH (0.05μm) / GOLD FLASH (0.05μm)
 - 4 : 0.76μm GOLD PLATING / GOLD FLASH (0.05μm)

NOTE

- MATERIAL : SEE TABLE
- FINISH : SEE TABLE AND P/N COMPOSITION TABLE
- COPLANARITY : 0.1 MAX. (CONTACT AND SOLDER PEG)
- DATE CODE MARK : YY/MM/DD/XX XX IS USED TO MARK CONTACT PLATING SPEC.
"05" : FLASH, "15" : 15μ, "30" : 30μ

注記

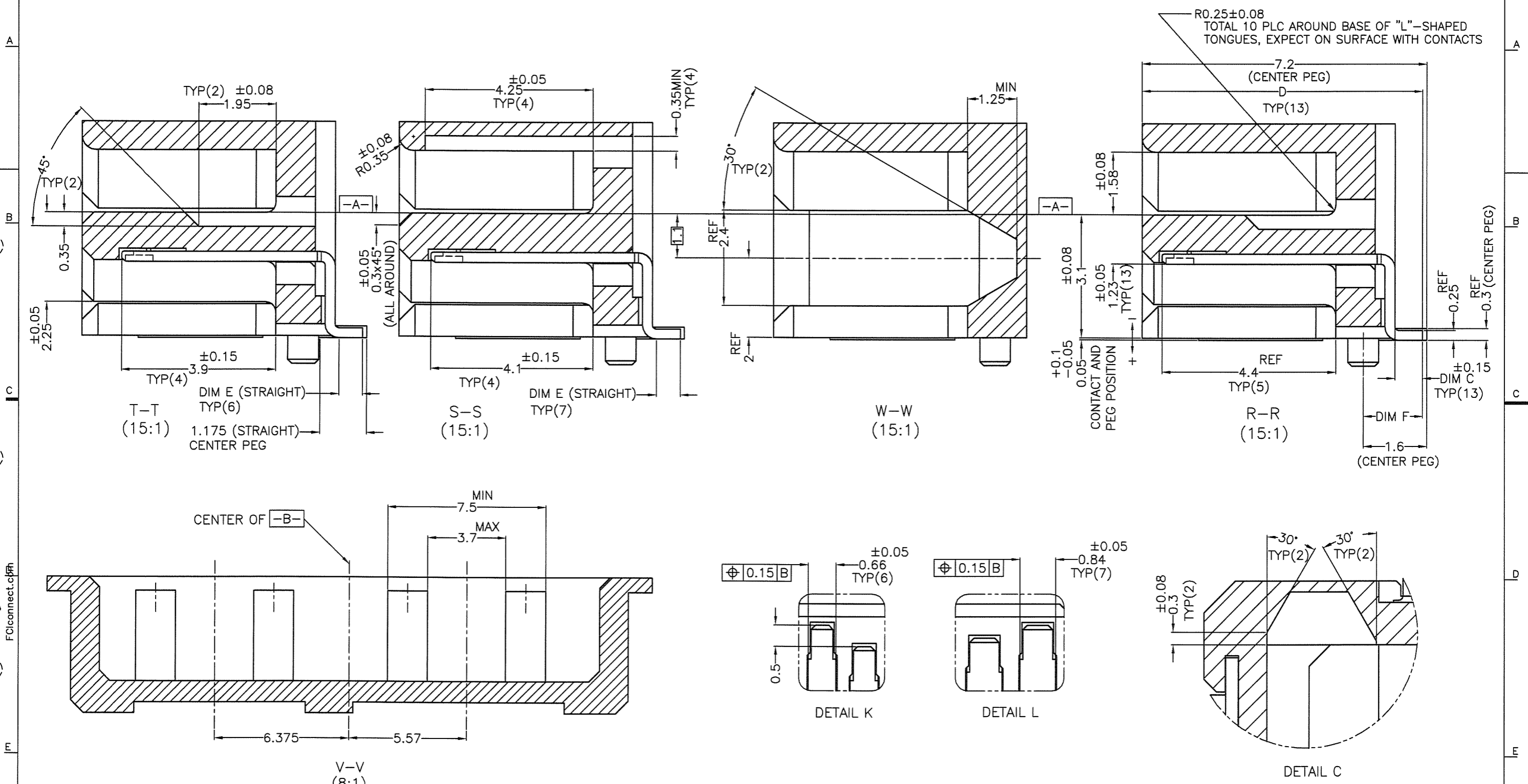
- 材料 : 表参照
- めっき : 表及び型番構成参照
- コプラナリティ : 0.1以下 (端子、金具)
- デットコード刻印 : YY/MM/DD/XX XXはコンタクトのめっきの種類
"05" : FLASH, "15" : 15μ, "30" : 30μ



mat'l. code		surface		tolerance		projection		product family		CODE	
---		ISO 1302		ISO 406		mm		530F SATA PLUG SLIM LINE		JP	
A	RELEASED	J08-0078	N.S	2008-2-28	angles	0.X	±0.2				
B	REVISED	J08-0130	N.S	2008-3-25	linear	0.XX	±0.2				
C	REVISED	J08-0153	N.S	2008-4-3	±2'	0.XXX	±0.2				
D	REVISED	J08-0211	N.S	2008-5-16	dr						
E	ADDED_ITEM	J08-0442	N.S	2008-11-15	engr						
F	REVISED	J09-0087	N.S	2009-3-8	chr						
G	REVISED	J09-0134	N.S	2009-4-13	appd						

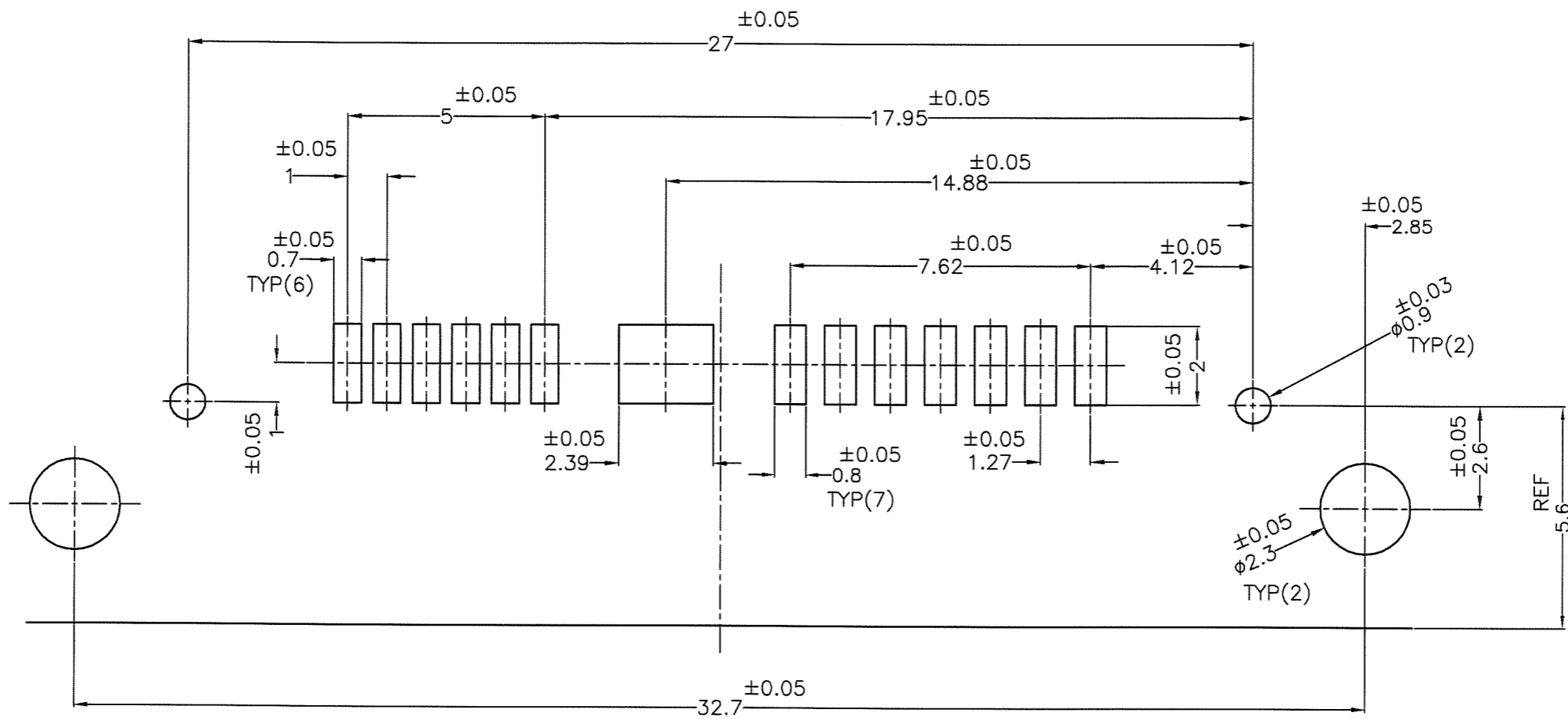
dwg no	sheet2 of 4 size
10085304	A2
type	PRODUCT CUSTOMER Drawing
Rev.	G

PRODUCT NO.	CONTACT AREA PLATING	SOLDERING AREA PLATING	HSG BOSS HEIGHT (DIM A)	TAIL WIDTH (DIM B)	TAIL LENGTH (DIM C)	TAIL LENGTH (DIM D)	TAIL LENGTH (DIM E)	TAIL LENGTH (DIM F)
10085304-2001ALF	GOLD 0.76um[30u"] MIN	1.91um [75u"] MIN. 100% TIN	1.0mm	0.35mm	0.7mm	7.1mm	0.6mm	1.5mm
10085304-4001ALF	GOLD 0.76um[30u"] MIN	GOLD FLASH 0.05um[2u"] MIN	1.0mm	0.35mm	0.7mm	7.1mm	0.6mm	1.5mm
10085304-4101ALF	GOLD 0.76um[30u"] MIN	GOLD FLASH 0.05um[2u"] MIN	0.7mm	0.35mm	0.7mm	7.1mm	0.6mm	1.5mm



CONNECTOR ASSY

mat'l. code		surface		tolerance		projection		product family		CODE	
---		ISO 1302		ISO 408		mm		530F SATA PLUG SLIM LINE		JP	
---		tolerances unless otherwise specified		ISO 1101		scale 16:1		title		sheet 3 of 4 size	
A RELEASED		J08-0078		N.S		2008-2-28		SLIM LINE SATA 7+6P PLUG		A2	
B REVISED		J08-0130		N.S		2008-3-25		SCREW(SQUARE), R/A SMT			
C REVISED		J08-0153		N.S		2008-4-3		dwg no		10085304	
D REVISED		J08-0211		N.S		2008-5-18		type		PRODUCT CUSTOMER Drawing	
E ADDED_ITEM		J08-0442		N.S		2008-11-18		Rev.		G	
F REVISED		J09-0087		N.S		2009-3-8		Rev.		G	
G REVISED		J09-0134		N.S		2009-4-13		Rev.		G	



RECOMMENDED PCB PATTERN LAYOUT



Copyright FCI

mat'l. code				surface		tolerance		projection		product family		CODE
---				ISO 1302		ISO 406 ISO 1101				530F SATA PLUG SLIM LINE		JP
ltr	description	ecn no	dr	date	tolerances unless otherwise specified		mm		title			
A	RELEASED	J08-0078	N.S	2008-2-28	angles	linear	0.X	±0.2	SLIM LINE SATA 7+6P PLUG			
B	REVISED	J08-0130	N.S	2008-3-25			0.XX	±0.2	SCREW(SQUARE), R/A SMT			
C	REVISED	J08-0153	N.S	2008-4-3	±2°		0.XXX	±0.2	scale 10:1			
D	REVISED	J08-0211	N.S	2008-5-16	dr	N.SASAME			dwg no		sheet 4 of 4	size
E	ADDED_ITEM	J08-0442	N.S	2008-11-18	enfr	N.SASAME			10085304			A2
F	REVISED	J08-0087	N.S	2008-3-8	chr				type		PRODUCT	CUSTOMER Drawing
G	REVISED	J08-0134	N.S	2008-4-13	appd							Rev.
sheet	revision											G
index	sheet											