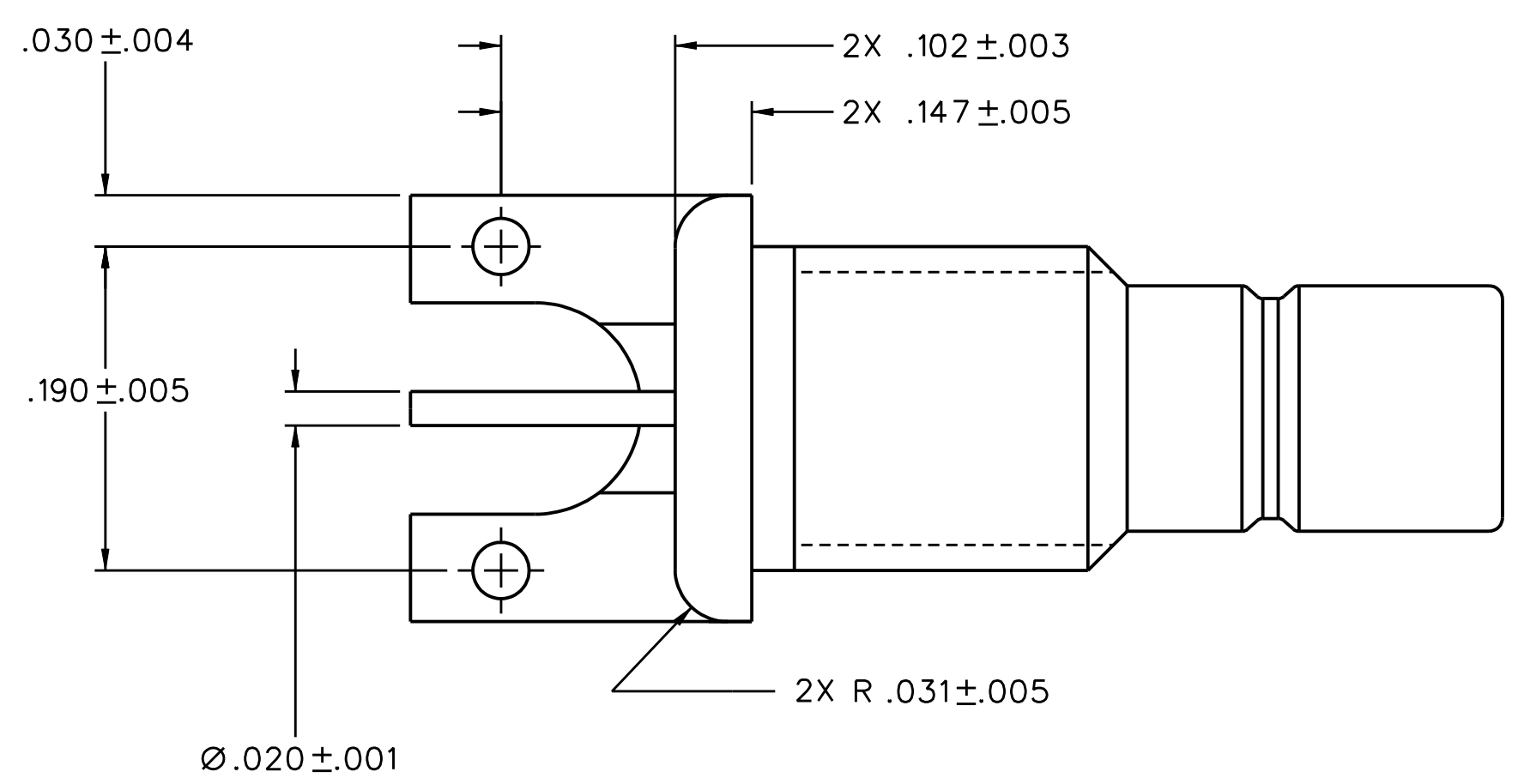
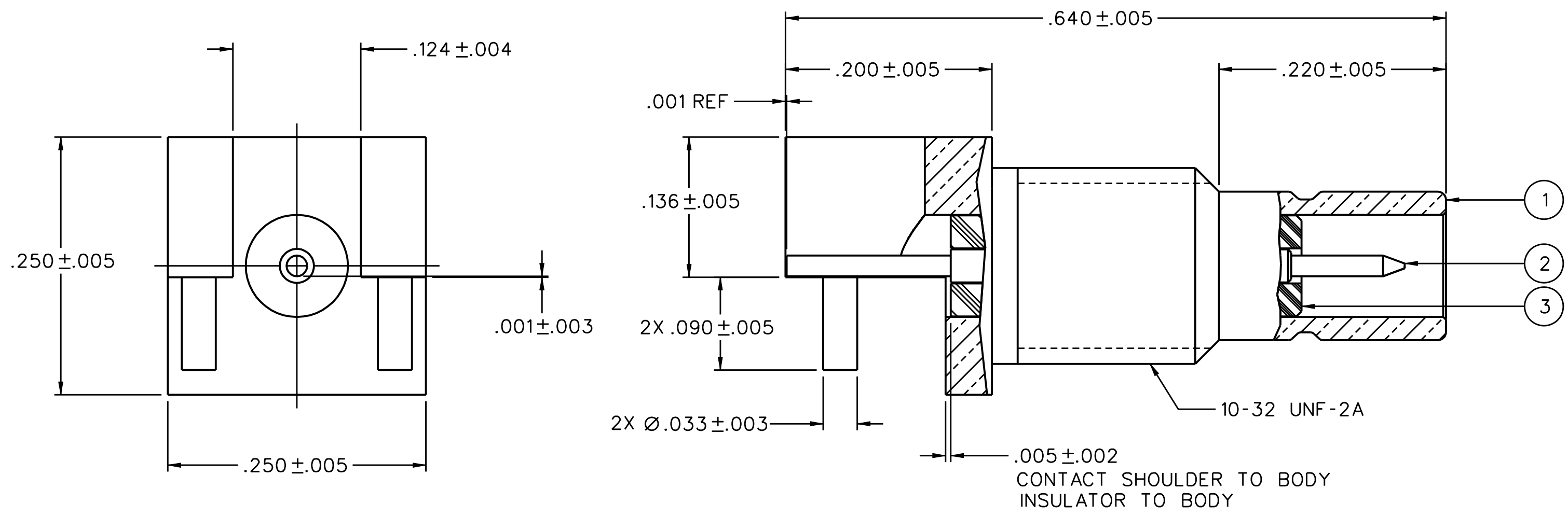
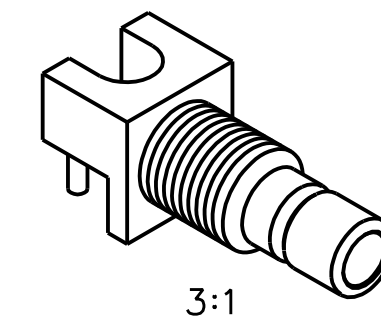


PART NUMBER	ITEM ① BODY	ITEM ② CONTACT	ITEM ③ FRONT INSULATOR TEFLON
131-3701-856	BRASS (C36000) NICKEL PL .0001 MIN OVER COPPER PL .00005 MIN	BRASS (C36000) GOLD PL .00003 MIN OVER NICKEL PL .00005 MIN OVER COPPER PL .00005 MIN	

DRAWING NO. C - 131-3701-851/860	
0	REVISIONS
ENGINEERING RELEASE	
1	2-24-11 M S F B R J M J U 2-24-11 ECO 53077



NOTES:

1. SPECIFICATIONS:

IMPEDANCE: 50 OHMS
 FREQUENCY RANGE: 0-4 GHz
 VSWR: NOT APPLICABLE
 WORKING VOLTAGE: 335 VRMS MAX AT SEA LEVEL
 DIELECTRIC WITHSTANDING VOLTAGE: 1000 VRMS MIN AT SEA LEVEL
 INSULATION RESISTANCE: 1000 MEGOHM MIN
 CONTACT RESISTANCE:
 CENTER CONTACT - INITIAL 6 MILLIOHM MAX, AFTER ENVIRONMENTAL 8 MILLIOHM MAX
 OUTER CONDUCTOR - INITIAL 1 MILLIOHM MAX, AFTER ENVIRONMENTAL 1.5 MILLIOHM MAX
 BRAID TO BODY - NOT APPLICABLE
 CORONA LEVEL: NOT APPLICABLE
 INSERTION LOSS: NOT APPLICABLE
 RF LEAKAGE: NOT APPLICABLE
 RF HIGH POTENTIAL WITHSTANDING VOLTAGE: 600 VRMS AT 4 AND 7 MHZ

MECHANICAL:

ENGAGE/DISENGAGE FORCE: INITIAL 14 LBS MAX, AFTER DURABILITY 14 LBS MAX ENGAGEMENT, 2 LBS MIN DISENGAGEMENT
 MATING TORQUE: NOT APPLICABLE
 COUPLING PROOF TORQUE: NOT APPLICABLE
 COUPLING NUT RETENSION: NOT APPLICABLE
 CONTACT RETENSION: 4 LBS MIN AXIAL FORCE
 CABLE ACCEPTABILITY: NOT APPLICABLE
 CABLE HEX CRIMP SIZE: NOT APPLICABLE
 CABLE RETENTION: NOT APPLICABLE
 DURABILITY: 500 CYCLES MIN

ENVIRONMENTAL:

(MEETS OR EXCEEDS THE APPLICABLE PARAGRAPH OF MIL-PRF-39012)
 THERMAL SHOCK: MIL-STD-202, METHOD 107, CONDITION B
 OPERATING TEMPERATURE: -65 DEG C TO 165 DEG C
 CORROSION: MIL-STD-202, METHOD 101, CONDITION B
 SHOCK: MIL-STD-202, METHOD 213, CONDITION B
 VIBRATION: MIL-STD-202, METHOD 204, CONDITION B
 MAXIMUM REFLOW TEMPERATURE: 260° C

CUSTOMER DRAWING

THIS DRAWING TO BE INTERPRETED PER ASME Y 14.5M - 1994

"μ STATION"

COMPANY CONFIDENTIAL

RoHS
2002/95/EC

TOLERANCE UNLESS OTHERWISE SPECIFIED		DRAWN BY	DATE	 P.O. Box 1732 Waseca, MN 56093 1-800-247-8256
DECIMALS	mm	RJB	2-24-11	
.XX	_____	CHECKED BY	DATE	TITLE
.XXX	_____	APPROVED BY	DATE	JACK ASSEMBLY END LAUNCH BULKHEAD, SMB
MATL	_____	RJB	2-24-11	SHEET
FINISH	_____	RELEASE DATE	2-24-11	DRAWING NO.
		U/M	INCH	SCALE
			10:1	C - 131-3701-851/860
				2 OF 2