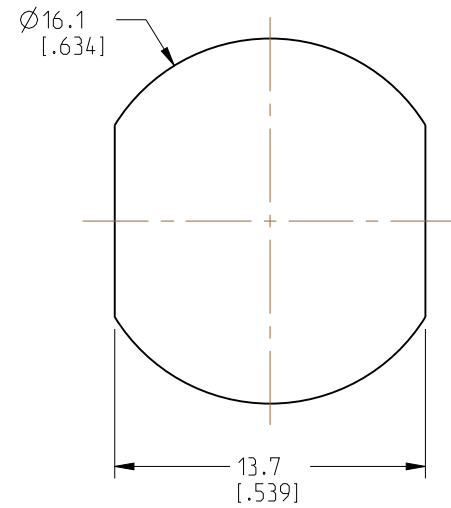
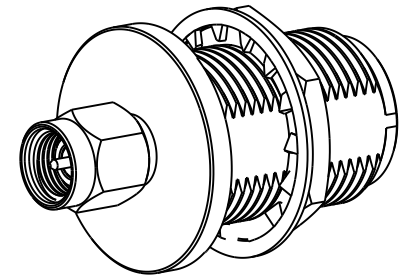


NOTES:

- MATERIALS AND FINISHES:**
 BODY, COUPLING NUT & HEX NUT - BRASS, NICKEL PLATING
 RETAINING RING- STAINLESS STEEL, NATURAL
 LOCK WASHER - PHOSPHOR BRONZE, NICKEL PLATING
 CONTACT - BeCu COPPER, GOLD PLATING
 INSULATOR - PTFE, NATURAL
 GASKET & O-RING - SILICONE RUBBER, RED
 O-RING - SILICONE RUBBER, BLACK
- ELECTRICAL:**
 A. IMPEDANCE: 50 OHM
 B. FREQUENCY RANGE: DC - 18 GHz
 C. VSWR: 1.10 MAX. @ DC - 6 GHz
 1.15 MAX. @ 6 - 11 GHz
 1.20 MAX. @ 11 - 18 GHz
 D. DIELECTRIC WITHSTANDING VOLTAGE: 1000 VRMS, MIN.

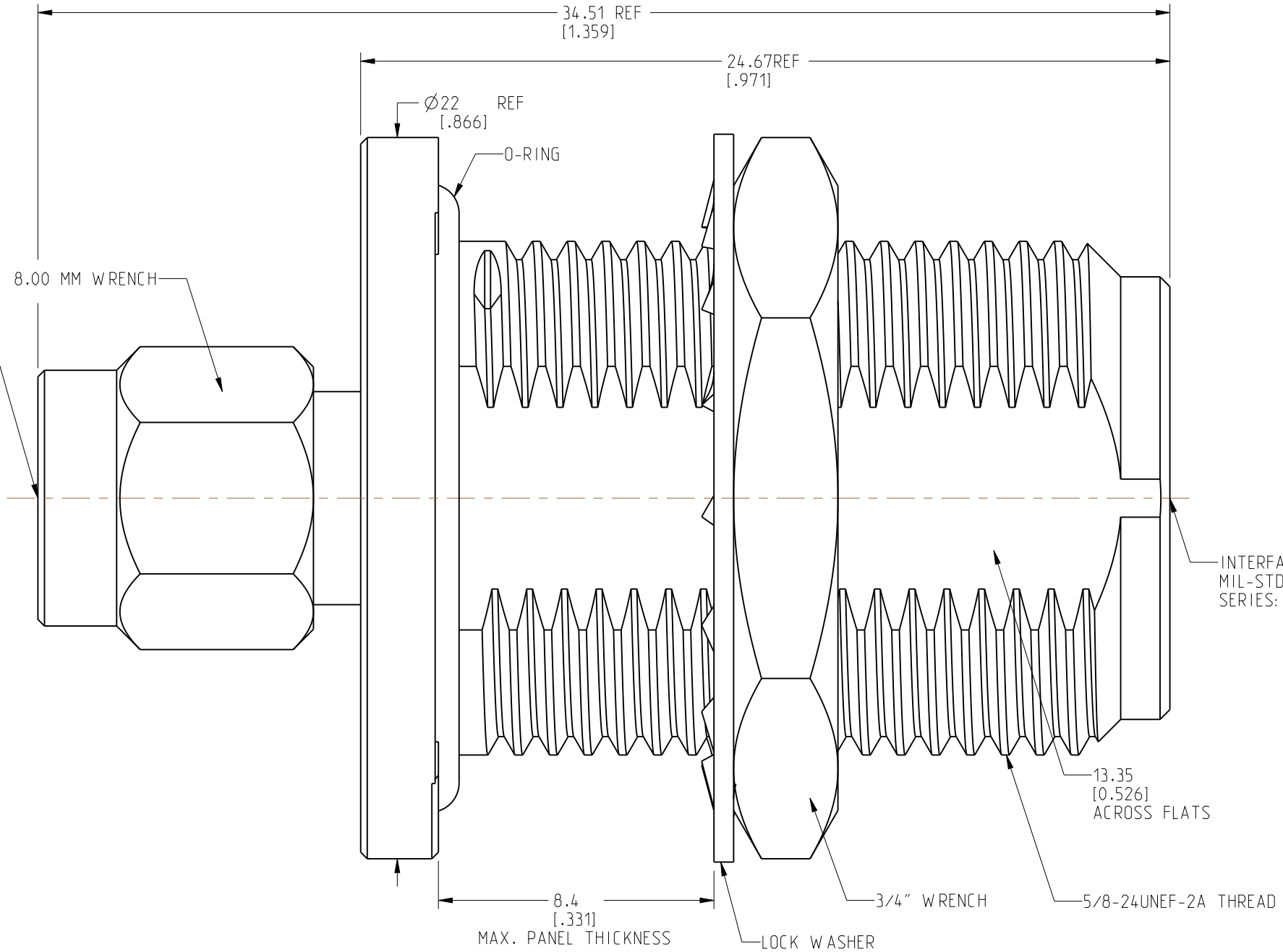
- MECHANICAL:**
 A. DURABILITY: 500 CYCLES MIN.
 B. TEMPERATURE RANGE: -65°C TO +165°C
 C. SEALING: CONNECTOR MEETS IP 67 REQUIREMENTS IN UNMATED CONDITION.
- PACKAGING:**
 A. QUANTITY: SINGLE PACK
 B. MARKING: PACKAGING TO BE MARKED
 "AMPHENOL RF, AD-NJSMAP-2 & DATE CODE"

REVISIONS				
REV	DESCRIPTION	DATE	ECN	APPR
A	RELEASE TO MFG.	30-MAR-20	14802	BEW



RECOMMENDED MOUNTING HOLE DIMENSIONS

INTERFACE PER MIL-STD-348 SERIES: SMA PLUG



INTERFACE PER MIL-STD-348 SERIES: N JACK

CUSTOMER OUTLINE DRAWING
 ALL OTHER SHEETS ARE FOR INTERNAL USE ONLY

NOTICE: These drawings, specifications, or other data (1) are, and remain the property of Amphenol corp. (2) must be returned upon request; and (3) are confidential and not to be disclosed to any person other than those to whom they are given by Amphenol Corp. The furnishing of these drawings, specifications, or other data by Amphenol Corp., or to any other person to anyone for any purpose is not to be regarded by implication or otherwise in any manner licensing, granting rights to permitting such holder or any other person to manufacture, use or sell any product, process or design, patented or otherwise, that may in any way be related to or disclosed by said drawings, specifications, or other data.

UNLESS OTHERWISE SPECIFIED DIMENSIONS ARE METRIC (INCHES) AND TOLERANCES ARE:
 <0.5mm = ±0.05mm [$<0.020 = \pm 0.002$]
 >0.5 - 6mm = ±0.1mm [$>0.020 - 0.236 = \pm 0.004$]
 >6.00 - 30mm = ±0.2mm [$>0.236 - 1.181 = \pm 0.008$]
 >30.00 - 120mm = ±0.3mm [$>1.181 - 4.725 = \pm 0.012$]

MATERIAL
 SEE NOTE 1

TITLE
 TYPE-N JACK TO SMA PLUG, BHD, IP67 ADAPTER

Amphenol RF

SIZE B	DRAWING NO. AD-NJSMAP-2	REV A
	ITEM NO. AD-NJSMAP-2	
	PART NO. AD-NJSMAP-2	

THIRD ANGLE PROJ. REFERENCE EAR# 9463

ENGINEER
 B.W YMAN

DATE
 25-OCT-19

SHEET NO. 2 OF 2 SCALE: 6.0:1.0