

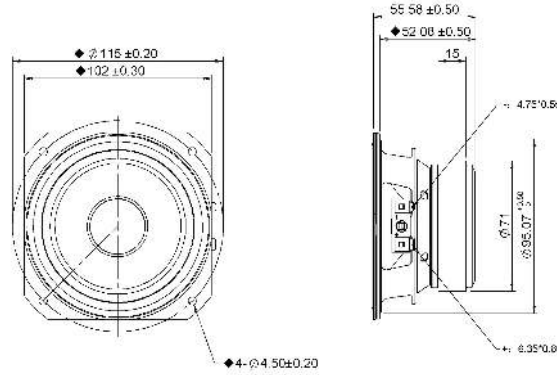
Full Range

This TC family 4 inch 4 ohm full-range driver, with ferrite magnet, paper cone and cloth surround, and steel basket, is designed to be a cost-effective high performance full range driver. The product was designed for Pro column speaker application.



TC10FG00-04

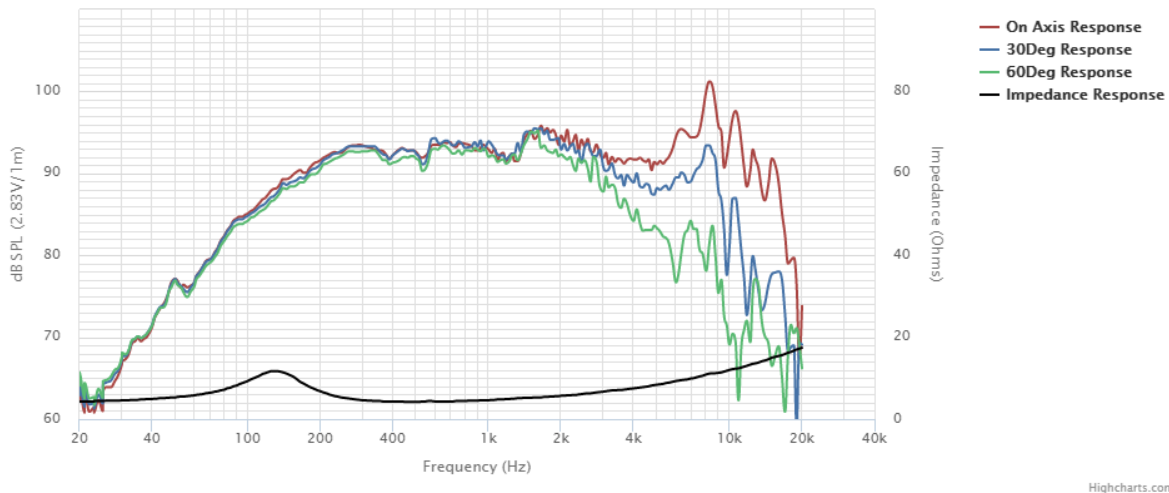
MECHANICAL 2D DRAWING



SPECIFICATIONS

DC Resistance	Revc	Ω	3.29	$\pm 5.0\%$	Moving Mass	Mms	g	3.1
Minimum Impedance	Zmin	Ω	4.21	$\pm 7.5\%$	Suspension Compliance	Cms	um/N	431.8
Voice Coil Inductance	Le	mH	0.12	-	Effective Cone Diameter	D	cm	4.3
Resonant Frequency	fs	Hz	136.68	15%	Effective Piston Area	Sd	cm ²	54.1
Mechanical Q Factor	Qms	-	2.01	-	Equivalent Volume	Vas	L	1.78
Electrical Q Factor	Qes	-	0.76	-	Motor Force Factor	BL	T•m	3.42
Total Q Factor	Qts	-	0.55	-	Motor Efficiency Factor	β	(T•m ²)/ Ω	3.6
Ratio	fs/Qts	-	248.05	-	Voice Coil Former Material	VCfm	-	KSV
Half Space Sensitivity	dB@2.83V/1m	dB	92.3	± 1.01	Voice Coil Inner Diameter	VCd	mm	25.73
Sensitivity	1W/1m	dB	89.5	± 1.01	Gap Height	Gh	mm	4
Rated Noise Power (IEC 268-5 18.1)	P	W	30	-	Maximum Linear Excursion	Xmax	mm	1.4
Test Spectrum Bandwidth		12 dB/Oct	120Hz-20kHz	-	Ferrofluid Type	FF	-	-
Energy Bandwidth Product	EBP	(1/Qes)•fs	-	-	Transducer Size	-	-	4 in
				-	Transducer Mass	-	Kg	0.6

FREQUENCY & IMPEDANCE RESPONSE



Highcharts.com