

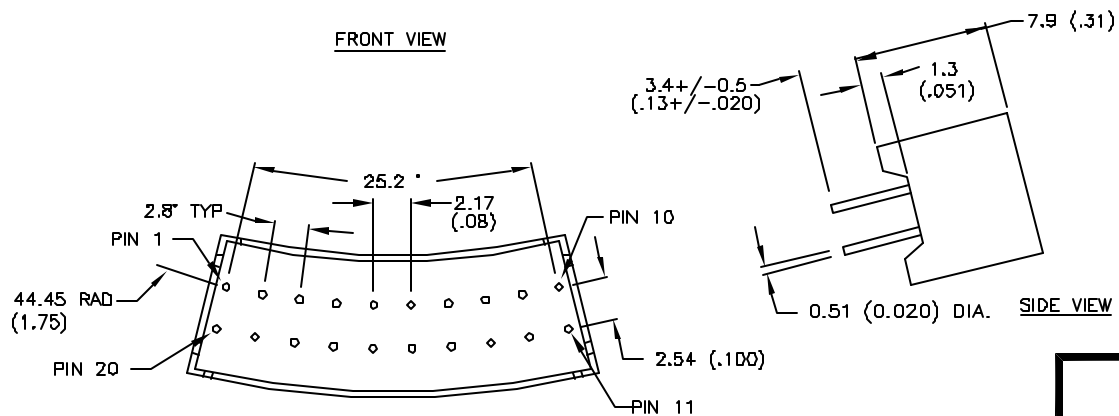
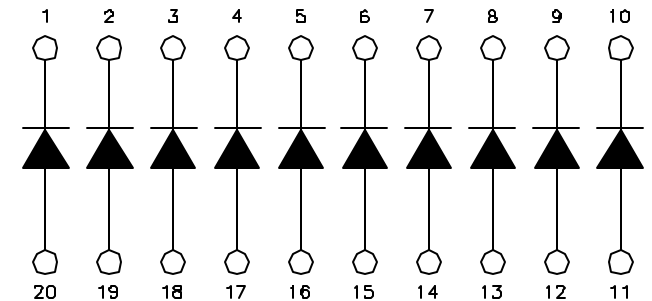
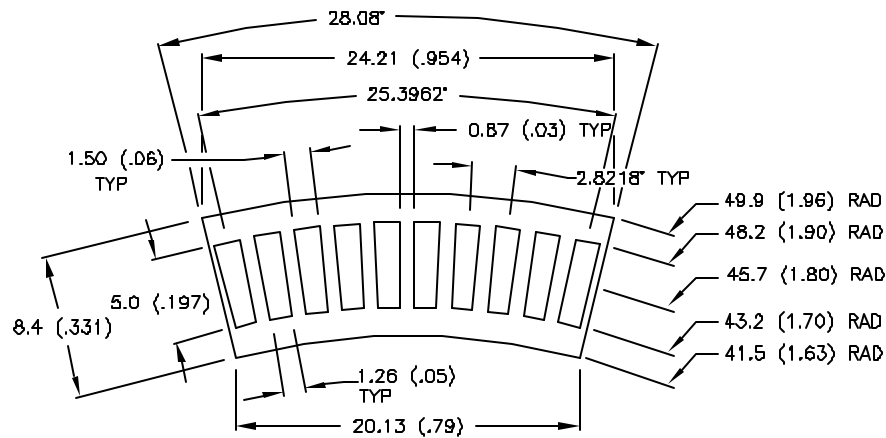
DATE

REVISIONS

REV

DRAWING NUMBER
SSA-LXB10SRW-10652

REV



LUMEX
OPTO COMPONENTS INC.

290 E. HELLEN ROAD
PALATINE, ILLINOIS 60067
(847) 359-2790

CONFIDENTIAL INFORMATION
THE INFORMATION CONTAINED IN THIS DOCUMENT IS THE PROPERTY OF LUMEX OPTO/COMPONENTS, INC. EXCEPT AS SPECIFICALLY AUTHORIZED IN WRITING BY LUMEX OPTO/COMPONENTS, INC., THE HOLDER OF THIS DOCUMENT SHALL KEEP ALL INFORMATION CONTAINED HEREIN CONFIDENTIAL AND SHALL PROTECT SAME IN WHOLE OR IN PART FROM DISCLOSURE AND DISSEMINATION TO ALL THIRD PARTIES.

DATE: 3-9-95	DWN:	CHK'D:	APPD:
SCALE: N/A			

CUSTOM 10 SEGMENT LED ARRAY,
SUPER RED

UNLESS OTHERWISE SPECIFIED TOLERANCE IS ±.25mm (±0.010")

PAGE 1 OF 2

DRAWING NUMBER
SSA-LXB10SRW-10652

REV