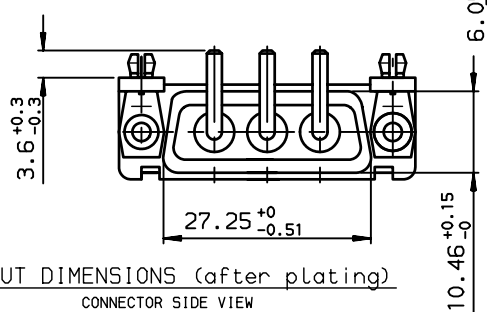
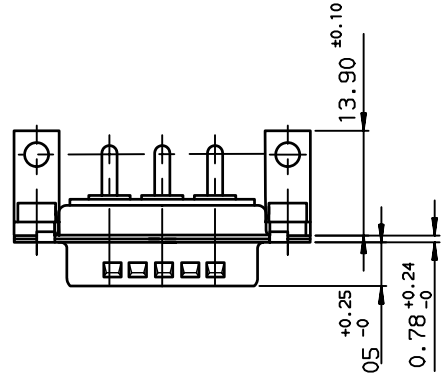
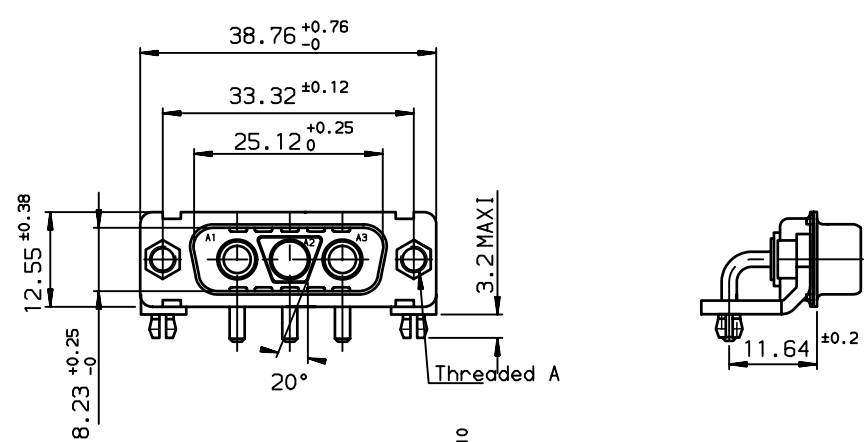
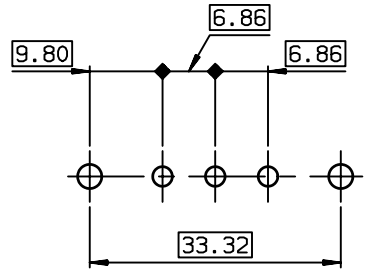


Copyright FCJ



LAYOUT DIMENSIONS (after plating)  
CONNECTOR SIDE VIEW



TIN-LEAD PART NUMBER

DA03V3P500G30	UNC 4.40
DAL3V3P500G30	M3
PART NUMBER	Thru A

GENERAL CHARACTERISTICS : SEE DRAWING C01-8639-0001

European Views

www.fciconnect.com		surface ISO 1302 ✓	tolerance std ISO 406 ISO 1101	projection mm
TOLERANCES UNLESS OTHERWISE SPECIFIED				
Dr	JOUBERT	1997/12/09	ANGULAR	LINEAR
Eng	PESSON	1997/12/09	0.X	±0.1
Chr	LEGARE	1997/12/09	0.XX	±0.1
Appr	LEGARE	1997/12/09	0.XXX	±0.1
rev	ecn no	dr	date	size A3
B	-	BAR	2003/11/17	Scale 1.5
C	LS05-001	MPE	2005/03/07	ECN LS07-0070
D	LS06-0095	LGO	2006/07/20	Spec ref -
E	LS07-0070	MPE	2007/03/06	
FCJ		title PIN CONNECTOR FOR POWERS CONTACTS		dwg no C01-8639-1558
catalog no		-		Rev. E
CUSTOMER		sheet 1 of 1		

REV F - 2006-04-17