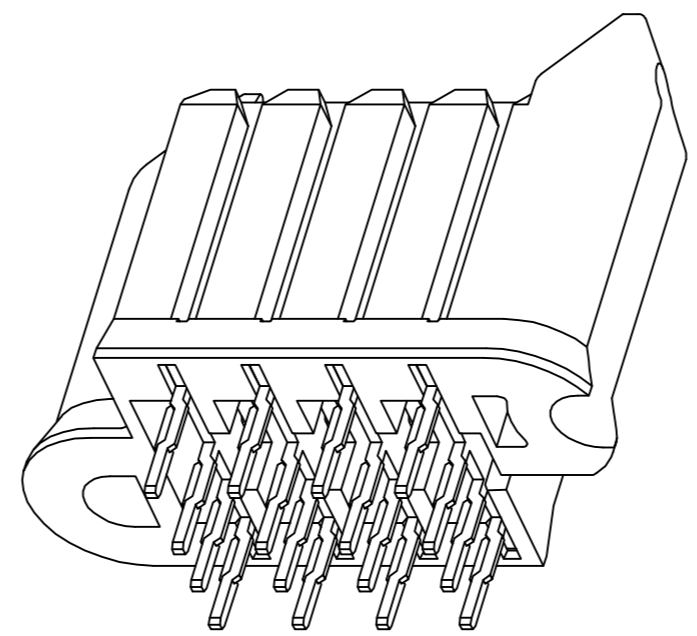
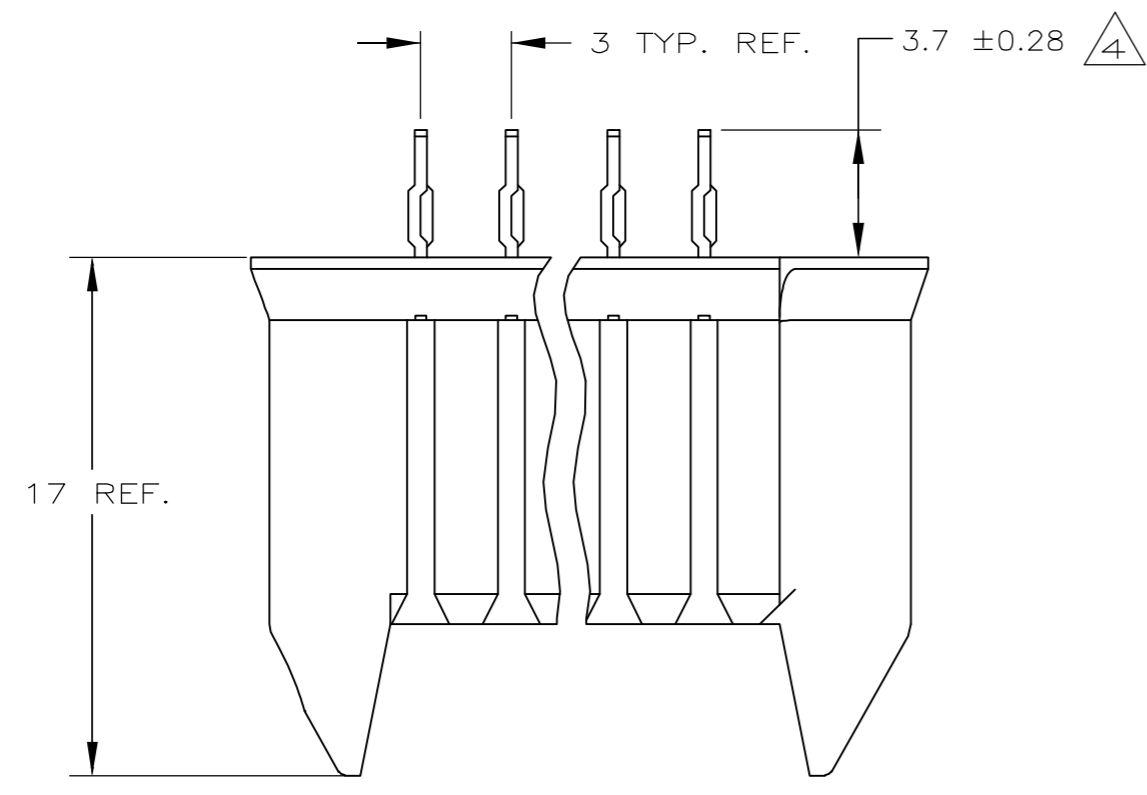
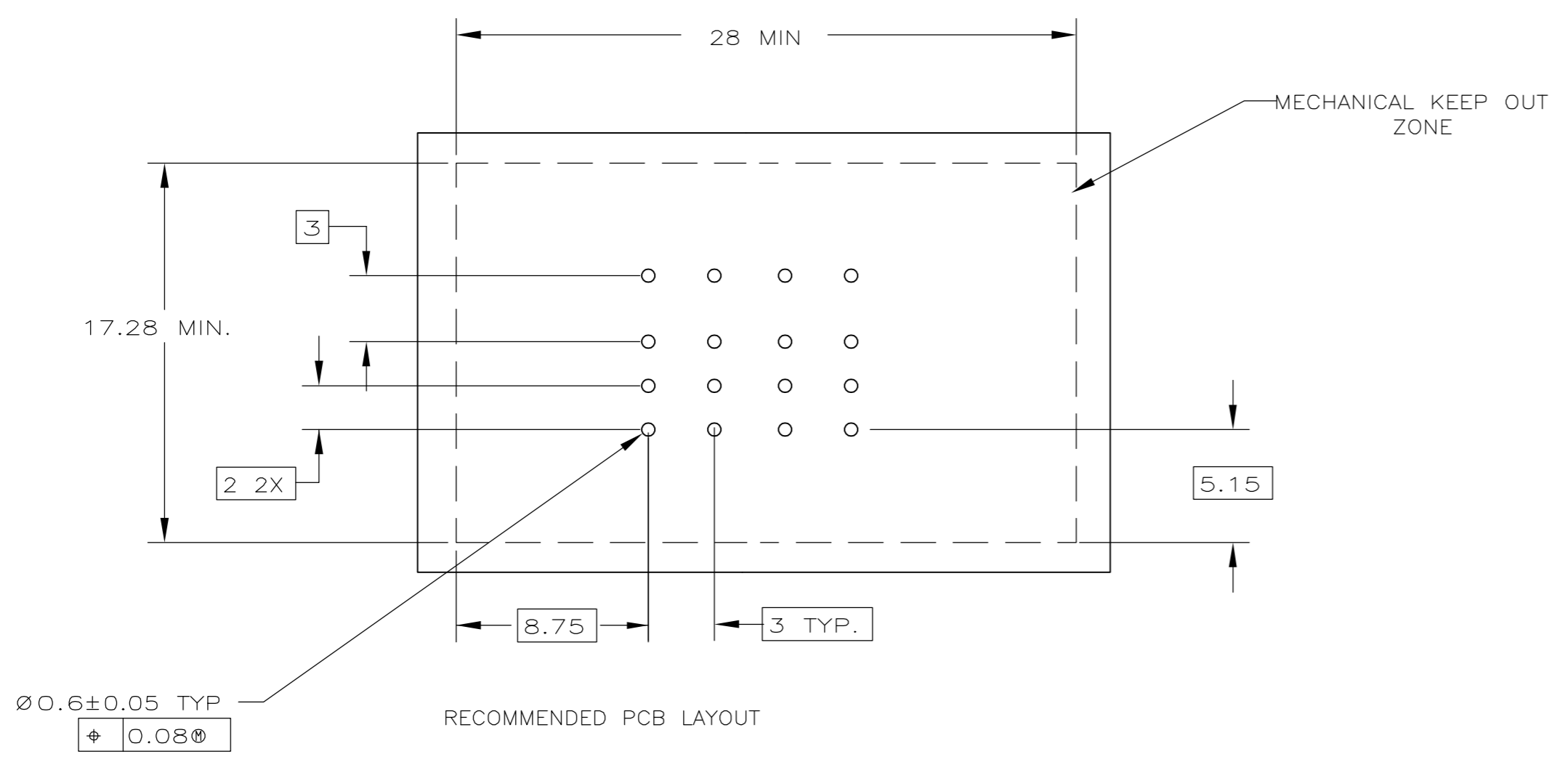
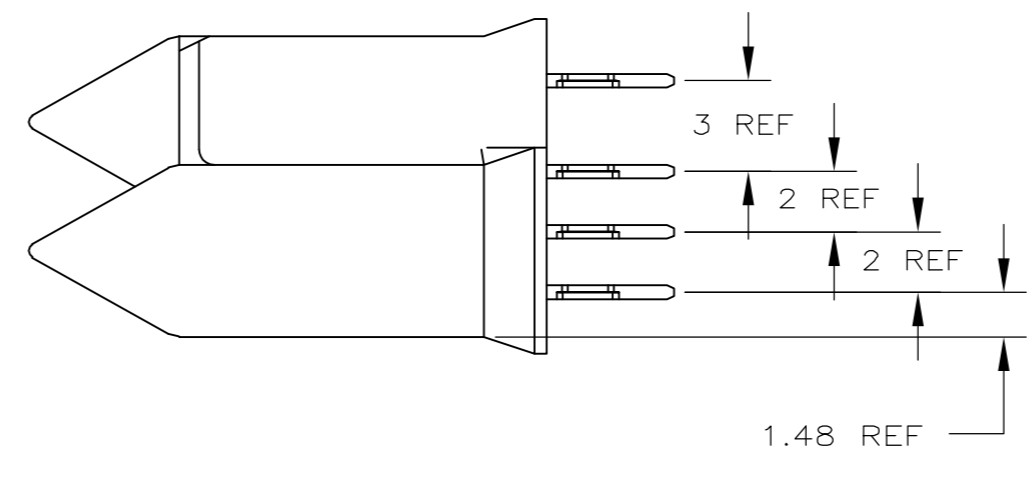
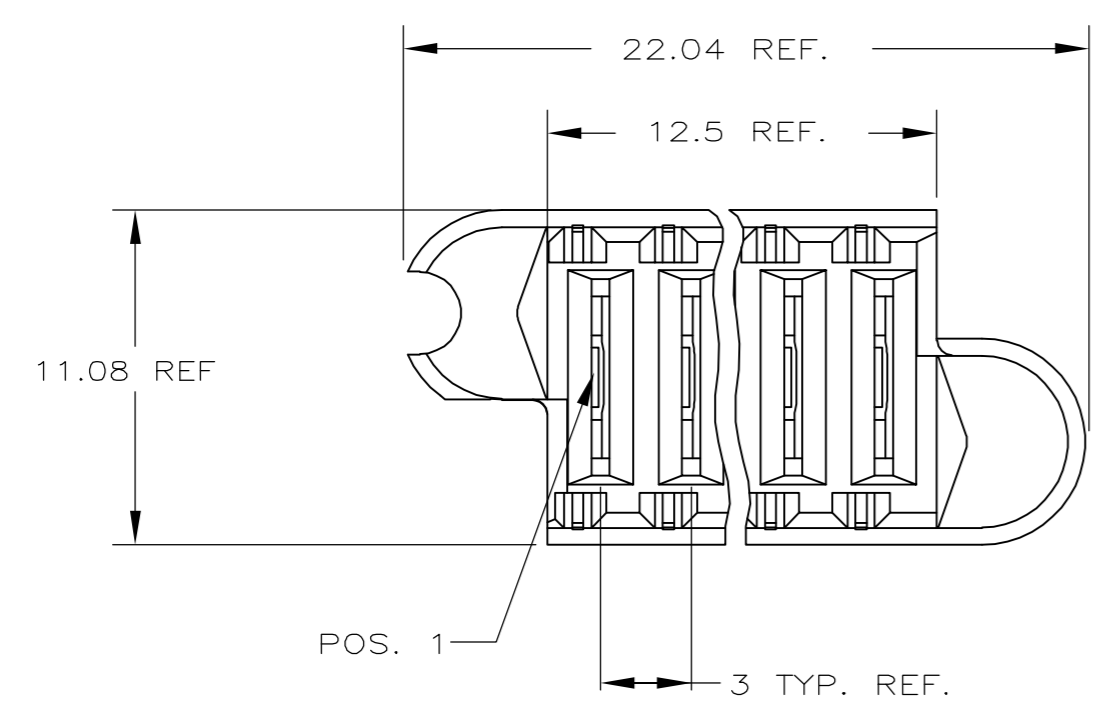


THIS DRAWING IS UNPUBLISHED. RELEASED FOR PUBLICATION  
 © COPYRIGHT BY TYCO ELECTRONICS CORPORATION. ALL RIGHTS RESERVED.

LOC	DIST	REVISIONS					
GP	00	P	LTR	DESCRIPTION	DATE	DWN	APVD
		A		RELEASE	20OCT05	RG	AWF



- 1 MATERIAL: HOUSING - HIGH TEMP THERMO PLASTIC (UL 94 V-0), BLACK
- 2 CONTACT MATERIAL : HIGH - CONDUCTIVITY COPPER ALLOY
- 3 CONTACT PLATING: 1.27 μm MIN AU OVER 1.27 μm Ni ON CONTACT AREA. SnPb OVER Ni ON TAILS
- 4 DIMENSION APPLIES AFTER CONNECTOR IS APPLIED TO PCB.



THIS DRAWING IS A CONTROLLED DOCUMENT.		DWN R.GRZYBOWSKI 20OCT05	Tyco Electronics Corporation Harrisburg, PA 17105-3608	
DIMENSIONS: mm	TOLERANCES UNLESS OTHERWISE SPECIFIED:	CHK A.FRANTUM 20OCT05	NAME S.FLICKINGER	
	0 PLC ± -	APVD S.FLICKINGER 20OCT05	PRODUCT SPEC 108-1998	
	1 PLC ± 0.25		APPLICATION SPEC 114-13067	
	2 PLC ± 0.13		SIZE A2	CAGE CODE 00779
	3 PLC ± 0.05		DRAWING NO C=1888177	
	4 PLC ± 0.025		RESTRICTED TO -	
	ANGLES ± 2°		SCALE 1:1	SHEET 1 of 1
MATERIAL 1-2	FINISH 3	WEIGHT -	REV A	
CUSTOMER DRAWING				