

Rocker Switch

Double (and Single) Pole YR Series



Features

- Lighted and non-lighted versions
- RoHS Compliant
- Minimum 50,000 operations mechanical life
- High current rating – up to 20 A

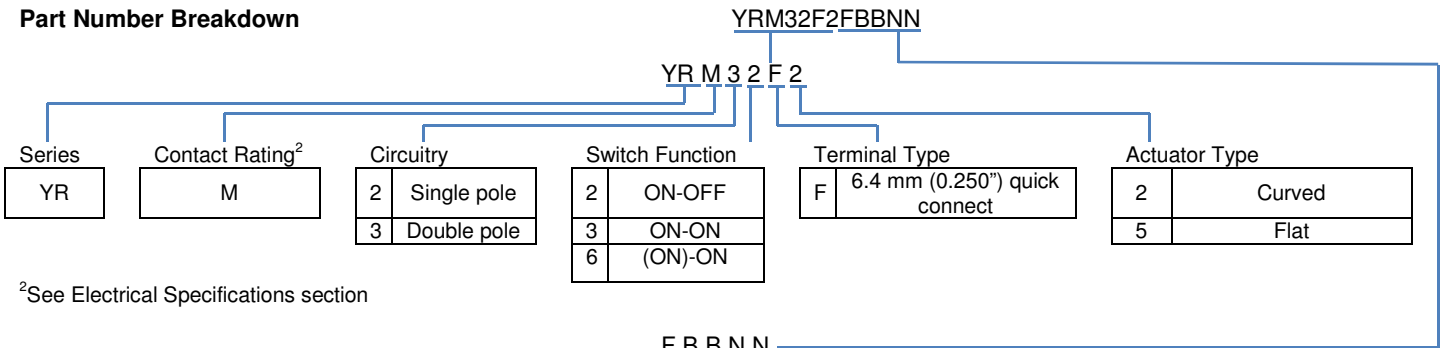
Standard Parts¹

| North America and Europe | | | | Europe |
|--------------------------|--------------|--------------|--------------|--------------|
| YRM32F2BBBNN | YRM32F2BBRLN | YRM32F2FBBNN | YRM33F2BBBNN | YRM32F2BBREN |

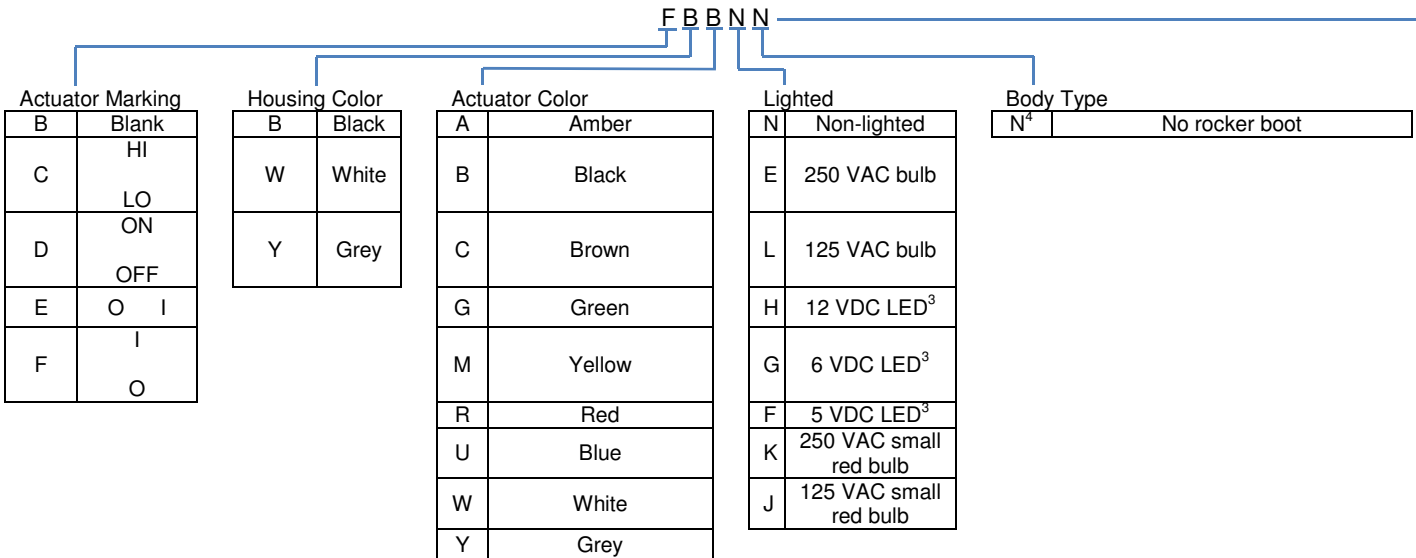
¹The part number configuration matrix below provides details to the part numbers above.

For configurable part numbers that are not listed above, not listed in your region, or for custom part numbers, contact the factory or your distributor.

Part Number Breakdown



²See Electrical Specifications section



³Switches have no agency DC ratings

⁴A splash-proof boot (with bezel) can be ordered separately as part number 00150646



Electrical Specifications

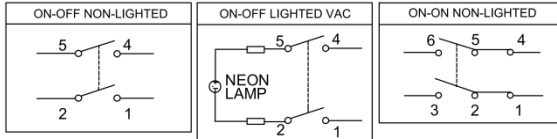
| | | | |
|-------------------------------|--|-----------------------------|-----------------------|
| Inrush Rating – 2 position | | | 48 A |
| Inrush Rating – 3 position | | | 24 A |
| Dielectric Strength | | | 1000 VAC for 1 minute |
| Insulation Resistance | | | 100 MΩ min at 500 VDC |
| Initial Contact Resistance | | | 0.020 Ω max |
| Electrical Ratings | | | |
| <u>Switch Function</u> | <u>EN61058-1</u> | <u>UL Gen Purpose 1054</u> | <u>UL HP</u> |
| ALL | 16 (8) A 250V ~ T125/55 ^(10k operations) 10 (2) A 250V ~ T125/55 ^(50k operations) | 20 A 125 VAC / 16 A 250 VAC | ¾ HP 125 / 250 VAC |
| Electrical Life at Rated Load | <u>VDE</u> | <u>UL</u> | |
| Minimum Operations | 10,000 ^{(16(8) A)} 50,000 ^{(10(2) A)} | 6,000 | |

UL File No: E23301

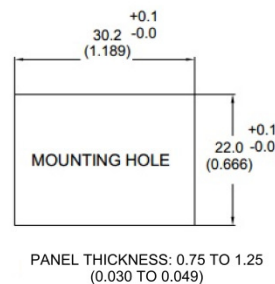
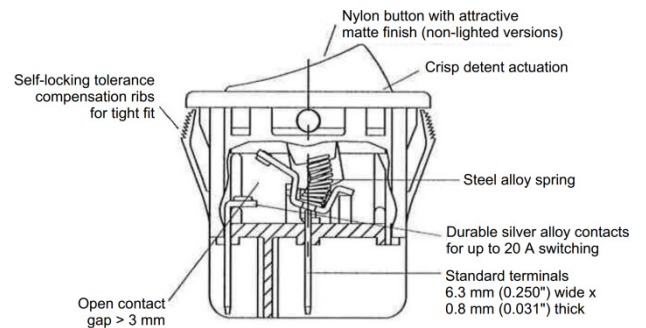
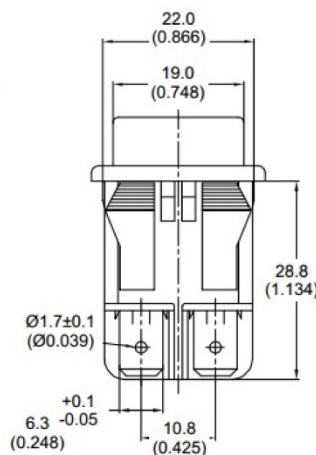
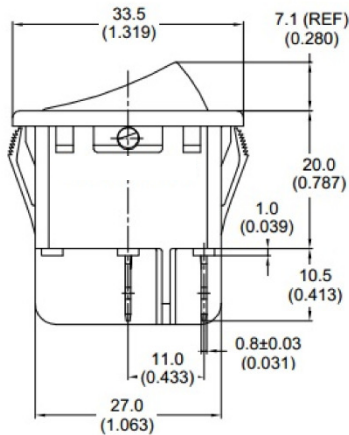
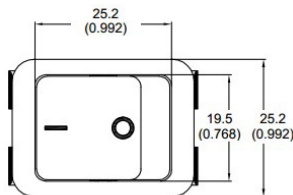
Material and Environmental Specifications

| | |
|-----------------------------|-----------------------------------|
| Actuator, non-lighted | Nylon 66 94V-2 |
| Actuator, lighted | Polycarbonate |
| Base | Nylon 66 94V-2 |
| Spring | Steel Wire |
| Contacts | Silver Alloy |
| Movable Arm | Silver-Plated Copper Alloy |
| Terminals | Tin-Plated Copper Alloy |
| Operating Temperature Range | 0 °C to +85 °C (32 °F to +185 °F) |

Circuitry and Switch Functions



Dimensions mm (inches)



NOTE: TOLERANCES UNLESS OTHERWISE SPECIFIED: ± 0.3 (0.012)

