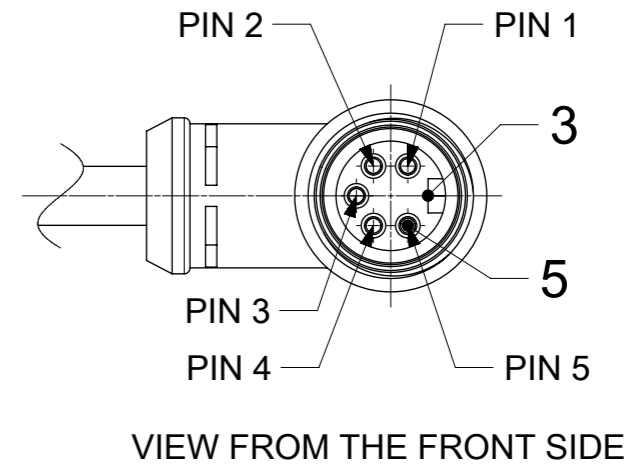
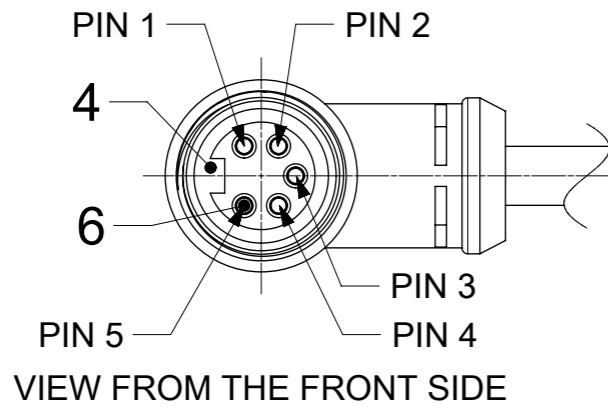
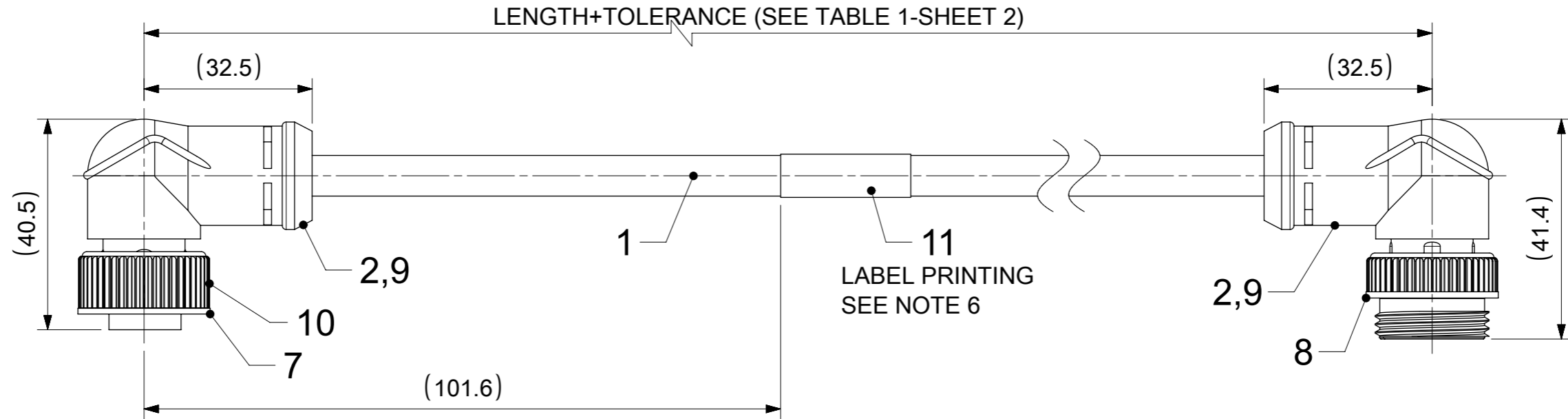


NOTES:

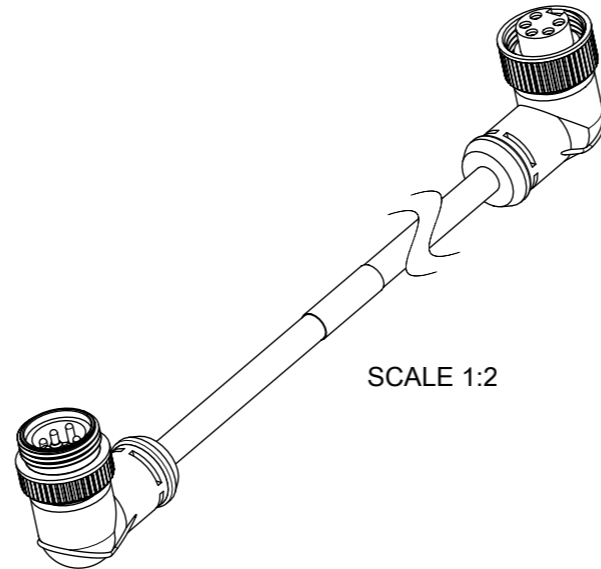
1. MATERIAL: AS NOTED
2. FINISH: AS NOTED
3. ELECTRICAL:
CABLE TYPE (SEE SHEET 2)
CURRENT: 10 A
4. PROTECTION: IP67 (WHEN MATED)
5. UL CERTIFICATION: UL LISTED, FILE NO. E152210
6. LABEL PRINTING ACC. STANDARD LABEL INSTRUCTION (SEE SHEET 2)

WIRING DIAGRAM



BILL OF MATERIAL

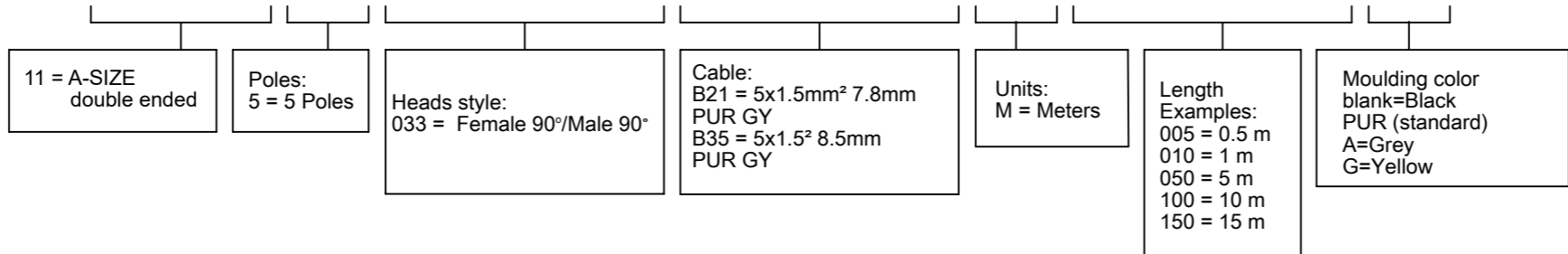
ITEM	QTY	DESCRIPTION	MATERIAL	FINISH/COLOR
11	1	LABEL;2.0X1.75;WRAP	VINYL	YELLOW
10	1	FRICTION RING - A SIZE	NYLON	-
9	-	TAPE;0.165MMx9MM	POLYSILOXANE	WHITE
8	1	MC COUPLING NUT A-SIZE	ZINC	BLACK
7	1	COUPLING NUT MC A-SIZE EXT. THD	ZINC	BLACK
6	5	MC SOCKET SLEEVE ASSY, 16 AWG	BRASS	GOLD
5	5	MC PIN CONTACT 16AWG	BRASS	GOLD
4	1	5P FEMALE INSERT A SIZE	PUR	BLACK
3	1	5P MALE INSERT A SIZE	PUR	BLACK
2	-	MOULDING MATERIAL	TPU	BLACK
1	-	CABLE 5/C, OD=8.5mm	TPU	GRAY
ITEM	QTY	DESCRIPTION	MATERIAL	FINISH/COLOR



FUNCTIONAL SYMBOLS	THIS DRAWING CONTAINS INFORMATION THAT IS PROPRIETARY TO MOLEX ELECTRONIC TECHNOLOGIES, LLC AND SHOULD NOT BE USED WITHOUT WRITTEN PERMISSION			
	THIS DRAWING CONTAINS INFORMATION THAT IS PROPRIETARY TO MOLEX ELECTRONIC TECHNOLOGIES, LLC AND SHOULD NOT BE USED WITHOUT WRITTEN PERMISSION	SCALE		
△/A = 0	mm	1:1	EC NO: 747270 DRWN: RSCHIEBER 2023/04/21 CHK'D: RSILLER 2023/04/27 APPR: RSILLER 2023/04/27 INITIAL REVISION: DRWN: RSTONE 2013/12/09 APPR: JFMURPHY 2013/12/16	
△/E = 0	GENERAL TOLERANCES (UNLESS SPECIFIED)			
△/V = 0	ANGULAR TOL ± 1.0°			
	4 PLACES	±		
DIVISIONAL SYMBOLS	3 PLACES	±	PRODUCT CUSTOMER DRAWING DOCUMENT NUMBER: SD-130010-031 DOC TYPE: PSD DOC PART: 001 REVISION: A3	
	2 PLACES	± 0.05		
	1 PLACE	± 0.3		
	0 PLACES	± 0.5		
DRAFT WHERE APPLICABLE MUST REMAIN WITHIN DIMENSIONS		THIRD ANGLE PROJECTION	DRAWING: A3-SIZE	SERIES: 130010
		MATERIAL NUMBER: SEE TABLE 1	CUSTOMER: GENERAL MARKET	SHEET NUMBER: 1 OF 2

PART No. MATRIX

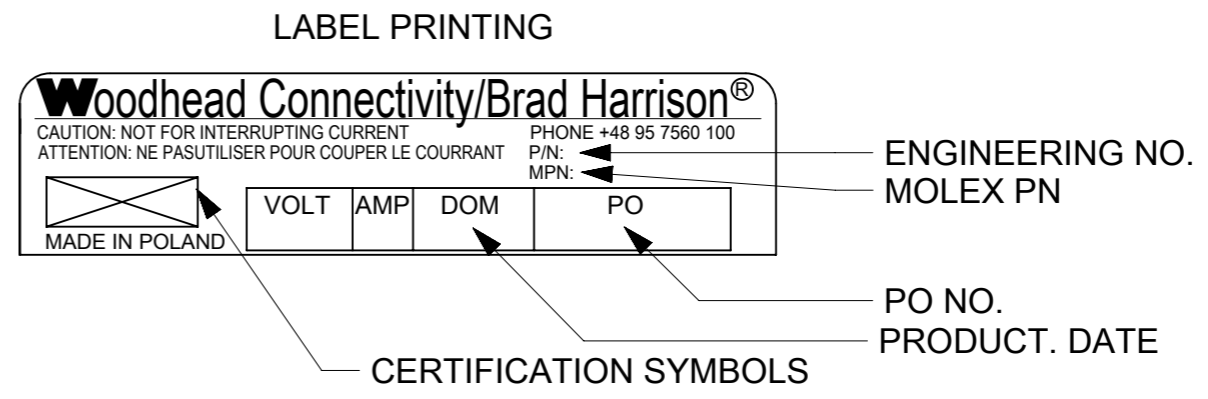
1 1 5 0 3 3 B X X M X X X X



CABLE TYPE	No. OF WIRES	CROSS SECTION	CABLE JACKET	UL	CSA	STATIC: TEMP. / BENDING RADIUS	DYNAMIC: TEMP / BENDING RADIUS	VOLTAGE
B21	5	1.5 mm ²	TPU GREY	UL STYLE 758	C22.2	-40°C to + 80°C	-5 °C TO +80 °C	300 V
B35	5	1.5 mm ²	TPU GREY	UL STYLE 758	C22.2	-40°C to + 90°C	-25 °C TO +80 °C	600 V

TABLE 1

MOLEX PN	ENGINEERING NO.	L+Tol.[mm]
1300108036	115033B21M010	1000 +56
1300108037	115033B21M020	2000 +89
1300108038	115033B21M030	3000 +89
1300108039	115033B21M050	5000 +165
1300108040	115033B21M100	10000 +317
1300108041	115033B21M150	15000 +610
1300108042	115033B21M200	20000 +610
1300108051	115033B35M010	1000 +56
1300108052	115033B35M020	2000 +89
1300108053	115033B35M030	3000 +89
1300108054	115033B35M050	5000 +165
1300108055	115033B35M100	10000 +317
1300108056	115033B35M150	15000 +610
1300108057	115033B35M200	20000 +610



FUNCTIONAL SYMBOLS	THIS DRAWING CONTAINS INFORMATION THAT IS PROPRIETARY TO MOLEX ELECTRONIC TECHNOLOGIES, LLC AND SHOULD NOT BE USED WITHOUT WRITTEN PERMISSION		
	DIMENSION UNITS: mm SCALE: 1:1 GENERAL TOLERANCES (UNLESS SPECIFIED): ANGULAR TOL ± 1.0° 4 PLACES ± 3 PLACES ± 2 PLACES ± 0.05 1 PLACE ± 0.3 0 PLACES ± 0.5		
	DIVISIONAL SYMBOLS	PRODUCT CUSTOMER DRAWING DOCUMENT NUMBER: SD-130010-031 DOC TYPE: PSD DOC PART: 001 REVISION: A3	INITIAL REVISION: DRWN: RSTONE 2013/12/09 APPR: JFMURPHY 2013/12/16
	DRAFT WHERE APPLICABLE MUST REMAIN WITHIN DIMENSIONS THIRD ANGLE PROJECTION DRAWING: A3-SIZE SERIES: 130010 MATERIAL NUMBER: SEE TABLE 1 CUSTOMER: GENERAL MARKET SHEET NUMBER: 2 OF 2		