

6

5

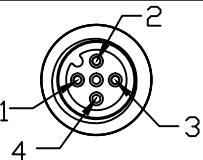
4

3

2

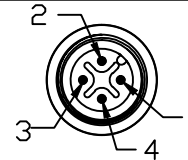
1

FEMALE INSERT
FACE VIEW

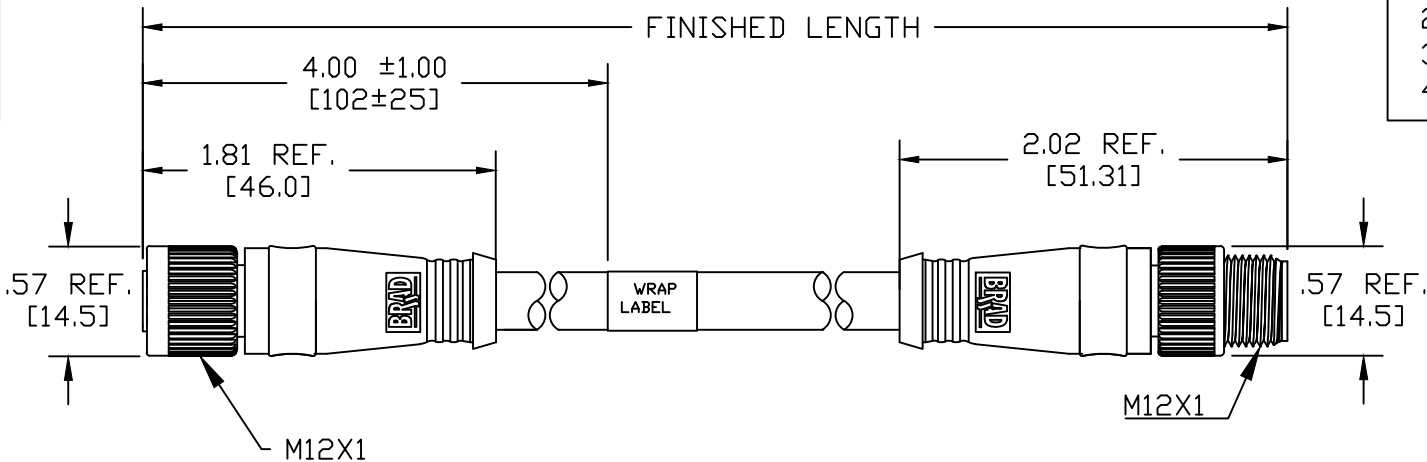


1 DRAIN WIRE
2 WHITE<DB>
3 YELLOW<DG>
4 BLUE <DA>

MALE INSERT
FACE VIEW



1 DRAIN WIRE
2 WHITE<DB>
3 YELLOW<DG>
4 BLUE <DA>



CC22A-J33-M020

Wire type
20/3C AWG Dark Brown
PVC

cable length
M020----2 Meter
M100-----10 Meter

MECHANICAL
CONTACT: GOLD/NICKEL OVER COPPER ALLOY
INSERT : NYLON 6/6
O-RING: RED VITON
COUPLING NUT: ZINC DIECAST WITH BLACK EPOXY COATED
MOLDED BODY: GREY PVC
CABLE COLOR: DARK BROWN
CABLE MARKING: FANC-110SBZ-5 KURAMO FA(JAPANESE WORDS)
CC-LINK Ver.1.10 Max. Trans. Length 50% **LF

ELECTRICAL
VOLTAGE RATING: 250V AC/DC
AMPERAGE: 4A

ENVIRONMENTAL
PROTECTION: IP67 PER IEC 60529
IP68 PER SPEC PS-120001-001
OPERATION TEMP: 0°C~80°C

CABLE MARKING UPDATE EC NO: IFC2015-1192 DRWN: CAVILLES 2014/12/30 CHKD: TWOLDEGE APPR: JFMURPHY 2012/11/01	QUALITY SYMBOLS	GENERAL TOLERANCES (UNLESS SPECIFIED)		DIMENSION STYLE INCH/MM		SCALE 1:1	DESIGN UNITS INCH	THIRD ANGLE PROJECTION
	 	mm	INCH	DRAWN BY TWOLDEGE	DATE 2012/09/25	TITLE CC-LINK MICRO CHANGE 4-POLE M/FE STRIAIGHT 20/3C SHLDED D.BROWN PVC		
REV B	4 PLACES	±---	±---	CHECKED BY VOU	DATE ---	MOLEX INCORPORATED		
	3 PLACES	±---	±.005	APPROVED BY JFMURPHY	DATE 2012/11/01	DOCUMENT NO. SD-130259-003		
	2 PLACES	±.13	±.010	MATERIAL NO.		SHEET NO. 1 OF 1		
	1 PLACE	±.25	±.020	SIZE A		THIS DRAWING CONTAINS INFORMATION THAT IS PROPRIETARY TO MOLEX INCORPORATED AND SHOULD NOT BE USED WITHOUT WRITTEN PERMISSION		
	ANGULAR ± 5°		DRAFT WHERE APPLICABLE MUST REMAIN WITHIN DIMENSIONS					

6

5

4

3

2

1

E

E

D

D

C

C

B

B

A

A