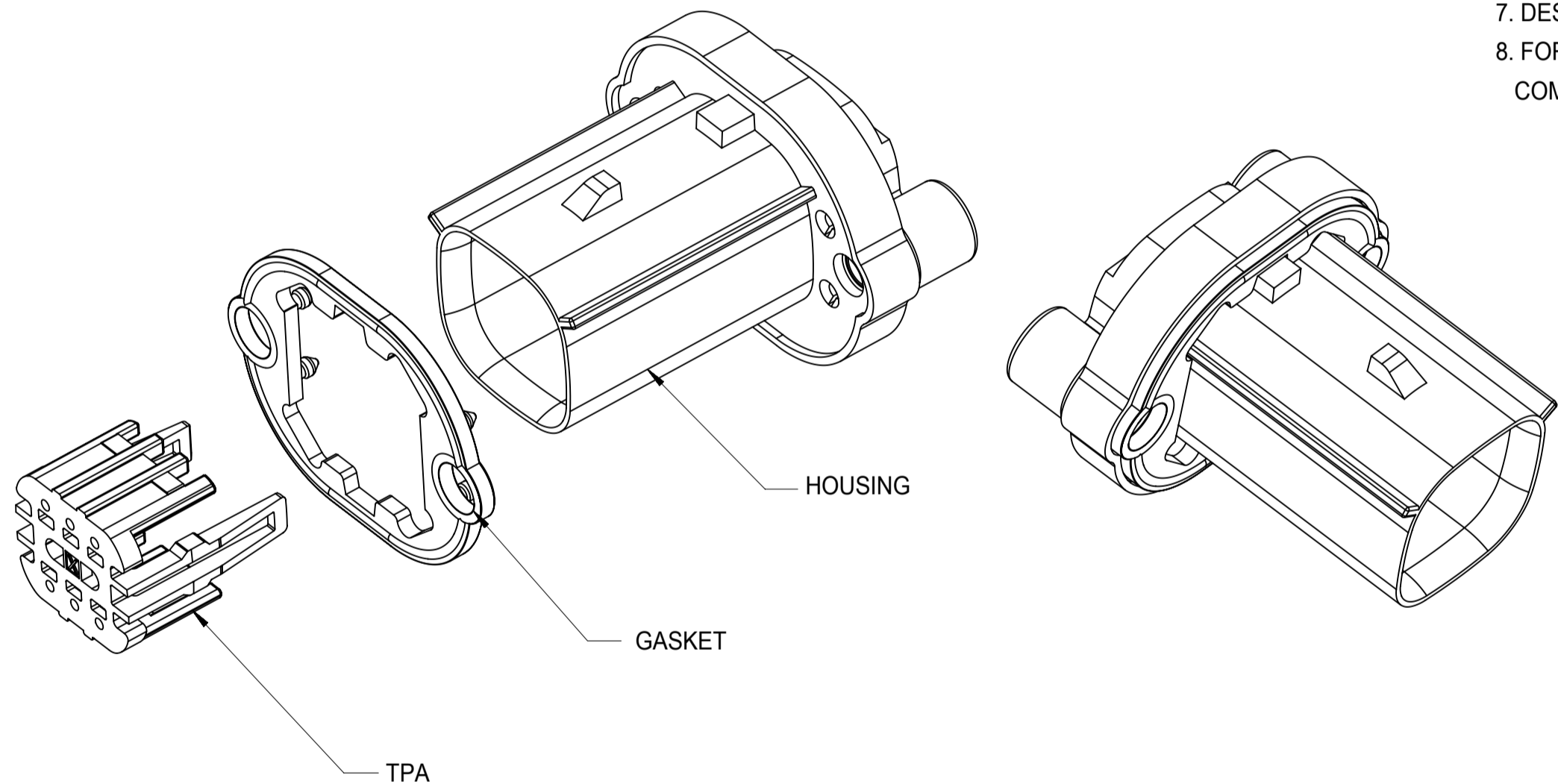


TABLE OF CONTENTS	
SHEET 1	NOTES, ISO VIEW
SHEET 2	BOM, POLARIZATION
SHEET 3	DETAIL VIEWS AND SECTIONS

NOTES: VALID UNLESS OTHERWISE SPECIFIED

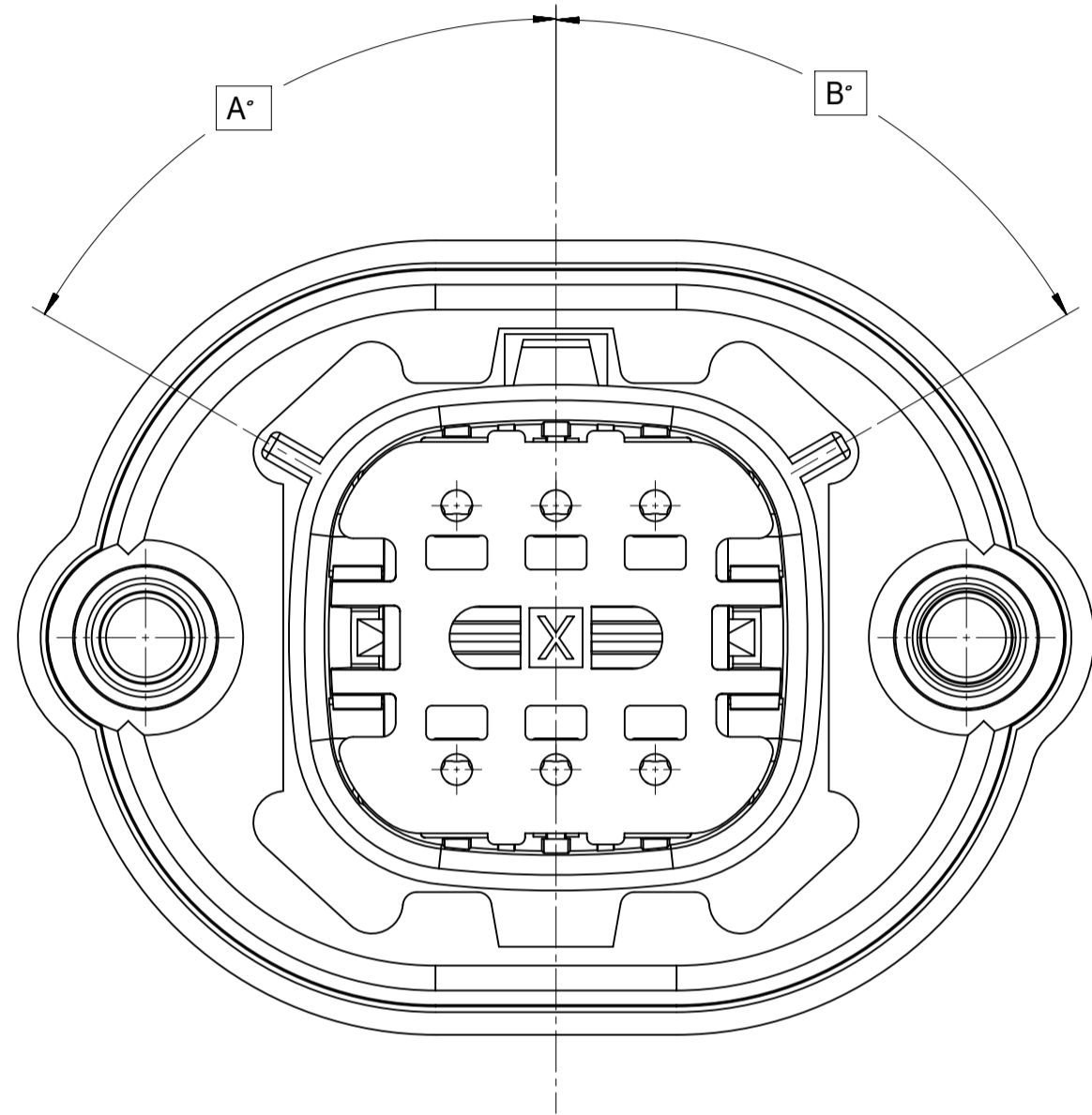
- APPLICATION SPECIFICATION SEE: 1480280001-AS
- PRODUCT SPECIFICATION SEE: 1480280001-PS
- PACKAGING SPECIFICATION PER MOLEX DRAWING: PK-148028-0001
- PARTS MUST BE IN COMPLIANCE TO MOLEX CHEMICAL SUBSTANCES FOR PRODUCTS AND PACKAGING SPECIFICATION: ES-40000-5016
- MATERIAL:
  - HOUSING: PA6, 40% GLASS FILLED
  - TPA: SPS/NYLON BLEND, 20% GLASS FILLED
  - GASKET: SILICONE
- SHIPPED PART WITH GASKET AND TPA IN PRE-LOCK POSITION
- DESIGNED TO MATE WITH MX150 RECEPTACLE CONNECTOR ASSEMBLY
- FOR ESSENTIAL PARTS (TERMINALS, WIRES ETC.) AND INSTALLATION TO COMPLETE ASSEMBLY SEE MOLEX PRODUCT SPECIFICATION PS-33472-000



D3	UPDATE AS DRAWING NUMBER FROM AS-148028-001 TO 1480280001-AS IN NOTES 1 UPDATE PS DRAWING NUMBER FROM PS-148028-001 TO 1480280001-PS IN NOTES 2
D2	UPDATE STATUS TO SALEABLE FOR BELOW P/N 1480286001 1480286002 1480286003 1480286004
D1	UPDATE STATUS TO OK TO TOOL FOR BELOW P/N 1480288001 1480288002 1480288003 1480288004
D	ADDED PART NUMBERS: 148028-6001 TO 148028-6004 148028-8001 TO 148028-8004
C	RESIN CHANGED TO PA6 GF40 FROM PBT GF15
B	UPDATE 2X3 POL A TO TOOLED UPDATE OTHER PARTS STATUS TO OK TO TOOL UPDATE POL D COLOR TO STONE GRAY
A	INITIAL RELEASE
REV	DESCRIPTION

INSPECTION BALLOON NUMBER LOG	
PER DRAWING REVISION: D3	
LAST BALLOON NUMBER USED: 5	
ADDED BALLOON NUMBERS: NONE	
REMOVED BALLOON NUMBERS: NONE	

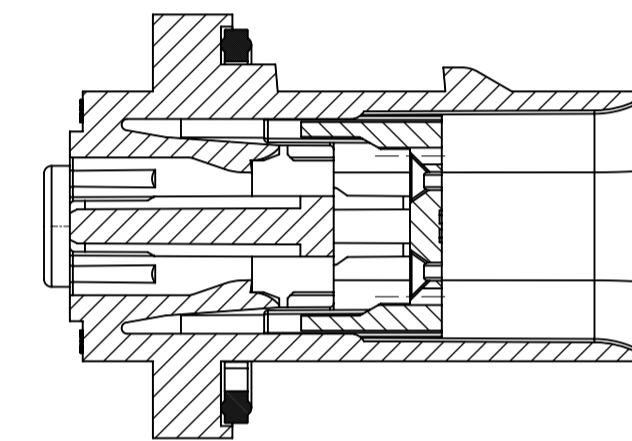
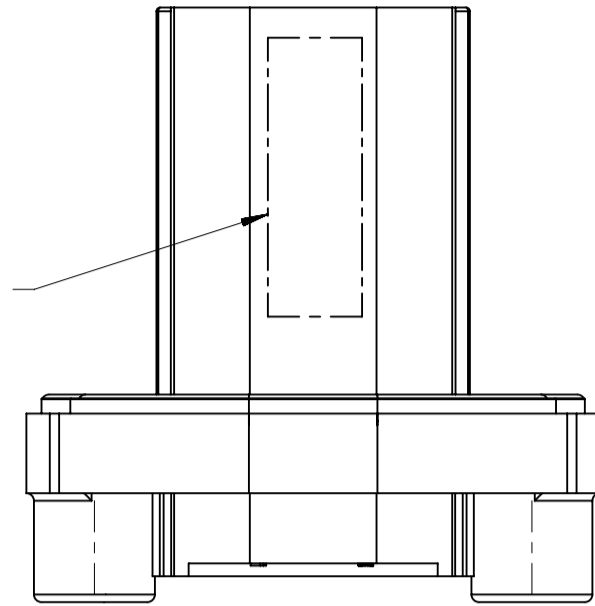
QUALITY SYMBOLS		THIS DRAWING CONTAINS INFORMATION THAT IS PROPRIETARY TO MOLEX ELECTRONIC TECHNOLOGIES, LLC AND SHOULD NOT BE USED WITHOUT WRITTEN PERMISSION	
▽ = 0	EC NO: 601209 DRWN: WKHE CHKD: JDENG02 REV / APPR: JDENG02	GENERAL TOLERANCES (UNLESS SPECIFIED)	DIMENSION UNITS: mm
▽ = 0		ANGULAR TOL ±	SCALE: 1:1
▽ = 0		4 PLACES ±	DRWN BY: CDZHANG
▽ = 0		3 PLACES ±	DATE: 2014/06/23
▽ = 0		2 PLACES ±	CHK'D BY: JDENG02
▽ = 0		1 PLACE ±	DATE: 2014/12/19
⊠ = 0	0 PLACES ±	APPR BY: CBQIU	DATE: 2015/03/30
■ = 0	DRAFT WHERE APPLICABLE MUST REMAIN WITHIN DIMENSIONS	DRAWING SIZE: A2	THIRD ANGLE PROJECTION
▽ = 0	D3	SERIES: 148028	MATERIAL NUMBER: ON SHEET 2
		CUSTOMER: GENERAL MARKET	DOCUMENT NUMBER: SD-148028-001
		DOC TYPE: PSD	DOC PART: 001
		SHEET NUMBER: 1 OF 3	



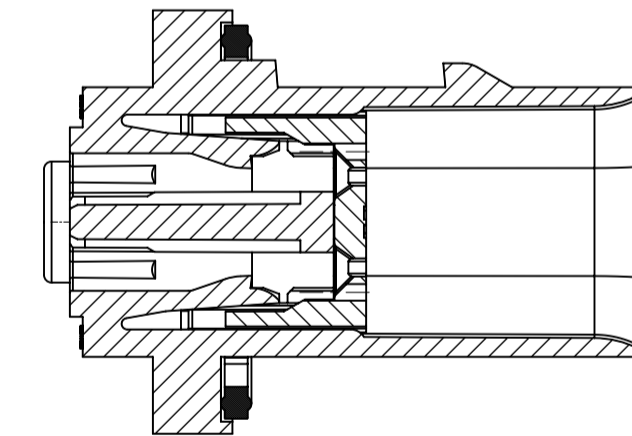
CIRCUIT SIZE	PART NUMBER	KEYING OPTION	COLOR	DIMENSIONS		STATUS
				A	B	
2X3	1480280601	A	BLACK	60	60	PLANNED OBSOLESCENCE
	1480280602	B	LIGHT GRAY	25	60	PLANNED OBSOLESCENCE
	1480280603	C	DARK GRAY	60	25	PLANNED OBSOLESCENCE
	1480280604	D	STONE GRAY	25	25	PLANNED OBSOLESCENCE
	1480286001	A	BLACK	60	60	SALEABLE
	1480286002	B	LIGHT GRAY	25	60	SALEABLE
	1480286003	C	DARK GRAY	60	25	SALEABLE
	1480286004	D	STONE GRAY	25	25	SALEABLE
2X4	1480280801	A	BLACK	60	60	PLANNED OBSOLESCENCE
	1480280802	B	LIGHT GRAY	25	60	PLANNED OBSOLESCENCE
	1480280803	C	DARK GRAY	60	25	PLANNED OBSOLESCENCE
	1480280804	D	STONE GRAY	25	25	PLANNED OBSOLESCENCE
	1480288001	A	BLACK	60	60	OK TO TOOL
	1480288002	B	LIGHT GRAY	25	60	OK TO TOOL
	1480288003	C	DARK GRAY	60	25	OK TO TOOL
	1480288004	D	STONE GRAY	25	25	OK TO TOOL

<b>QUALITY SYMBOLS</b> ▽ = 0 ▽ = 0 ▽ = 0 ▼ = 0 ▽ = 0 ⊠ = 0 ■ = 0 ▽ = 0	THIS DRAWING CONTAINS INFORMATION THAT IS PROPRIETARY TO MOLEX ELECTRONIC TECHNOLOGIES, LLC AND SHOULD NOT BE USED WITHOUT WRITTEN PERMISSION				<b>GENERAL TOLERANCES (UNLESS SPECIFIED)</b> DIMENSION UNITS: mm SCALE: 1:1 ANGULAR TOL ± 4 PLACES ± 3 PLACES ± 2 PLACES ± 1 PLACE ± 0 PLACES ±	DRWN BY: CDZHANG DATE: 2014/06/23 CHK'D BY: JDENG02 DATE: 2014/12/19 APPR BY: CBQIU DATE: 2015/03/30		MX150 DUAL ROW PANEL MOUNT CONNECTOR
	EC NO: 601209 DRWN: WKHE CHK'D: JDENG02 REV: APPR: JDENG02	D3	DRAFT WHERE APPLICABLE MUST REMAIN WITHIN DIMENSIONS	DRAWING SIZE: A2 THIRD ANGLE PROJECTION				
	RELEASE STATUS: P1 RELEASE DATE: 2018/07/19 19:06:45	SERIES: 148028 MATERIAL NUMBER: ON SHEET 2 DOCUMENT NUMBER: SD-148028-001	CUSTOMER: GENERAL MARKET DOC TYPE: PSD DOC PART: 001	SHEET NUMBER: 2 OF 3				

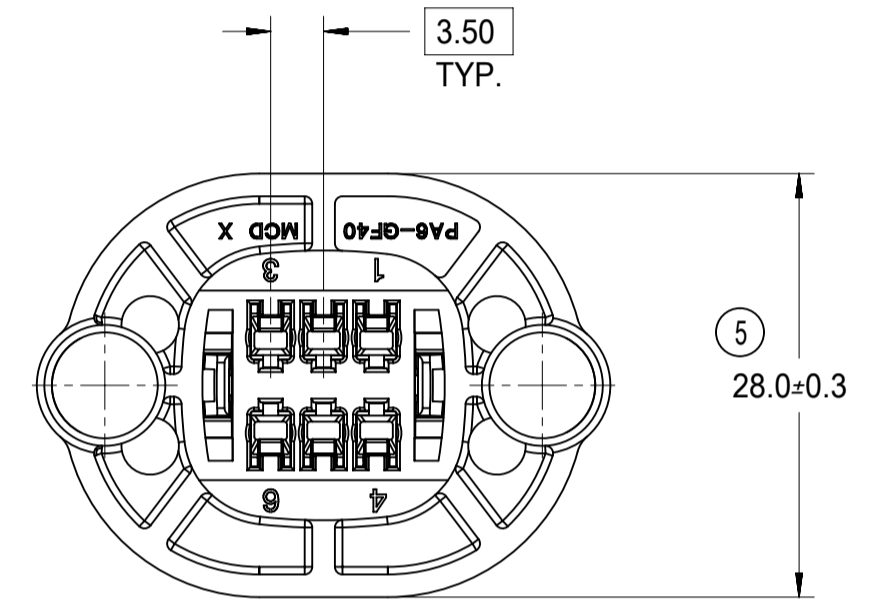
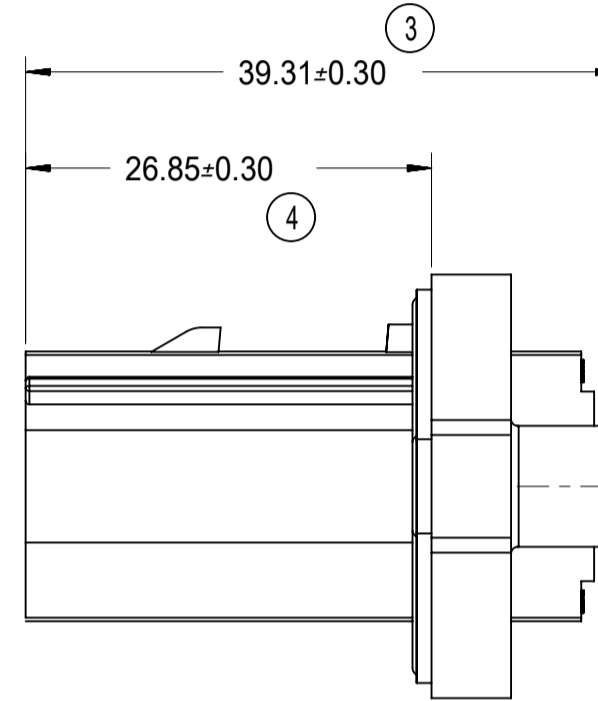
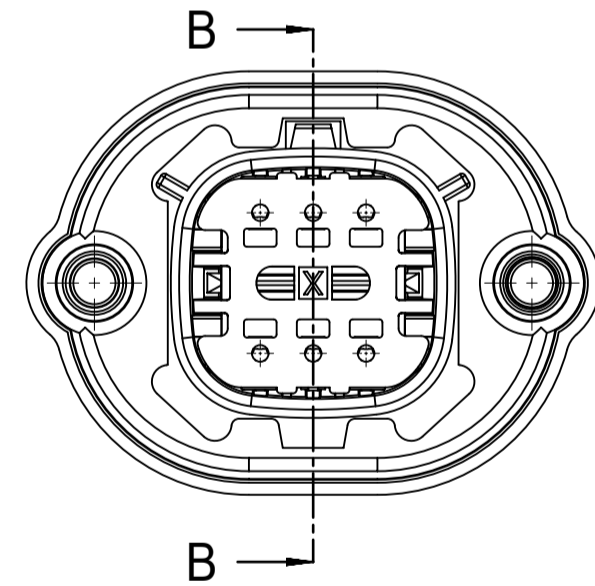
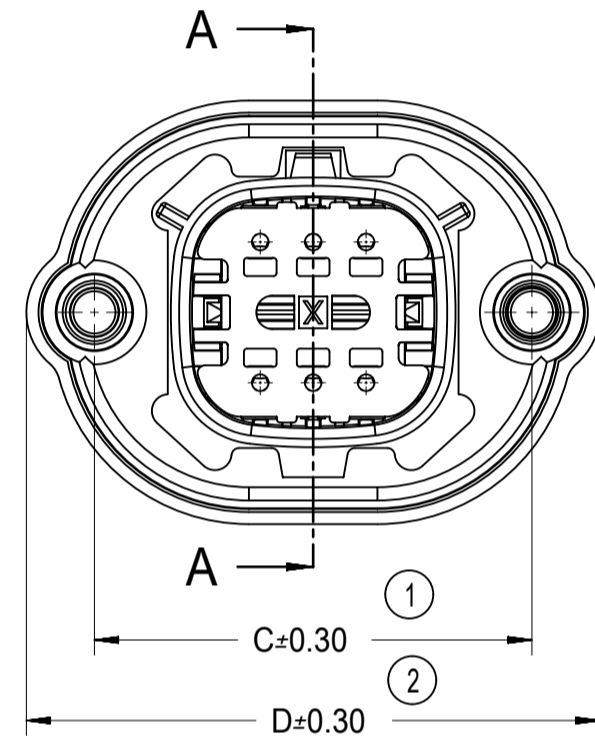
TRACEABILITY INFORMATION  
LOCATION IN THIS AREA



**SECTION A-A**  
(TPA SHOWN IN PRE-LOCK POSITION  
FOR REFERENCE ONLY)



**SECTION B-B**  
(TPA SHOWN IN FINAL-LOCK POSITION  
FOR REFERENCE ONLY)



CIRCUIT SIZE	DIMENSION	
	C	D
2X3	28.94	37.94
2X4	32.44	41.44

<b>QUALITY SYMBOLS</b> 	THIS DRAWING CONTAINS INFORMATION THAT IS PROPRIETARY TO MOLEX ELECTRONIC TECHNOLOGIES, LLC AND SHOULD NOT BE USED WITHOUT WRITTEN PERMISSION				
	EC NO: 601209 DRWN: WKHE CHK'D: JDENG02 REV / APPR: JDENG02	2018/07/10 2018/07/19 2018/07/19	<b>GENERAL TOLERANCES (UNLESS SPECIFIED)</b> DIMENSION UNITS: mm SCALE: 1:1 ANGULAR TOL ±	DRWN BY: CDZHANG DATE: 2014/06/23 CHK'D BY: JDENG02 DATE: 2014/12/19 APPR BY: CBQIU DATE: 2015/03/30	 <b>MX150 DUAL ROW PANEL MOUNT CONNECTOR</b>
		4 PLACES ± 3 PLACES ± 2 PLACES ± 1 PLACE ± 0 PLACES ±	DRAFT WHERE APPLICABLE MUST REMAIN WITHIN DIMENSIONS	DRAWING SIZE: A2 THIRD ANGLE PROJECTION	
		D3	SERIES: 148028 MATERIAL NUMBER: ON SHEET 2 DOCUMENT NUMBER: SD-148028-001	CUSTOMER: GENERAL MARKET DOC TYPE: PSD DOC PART: 001 SHEET NUMBER: 3 OF 3	CUSTOMER: GENERAL MARKET