

9 8 7 6 5 4 3 2 1

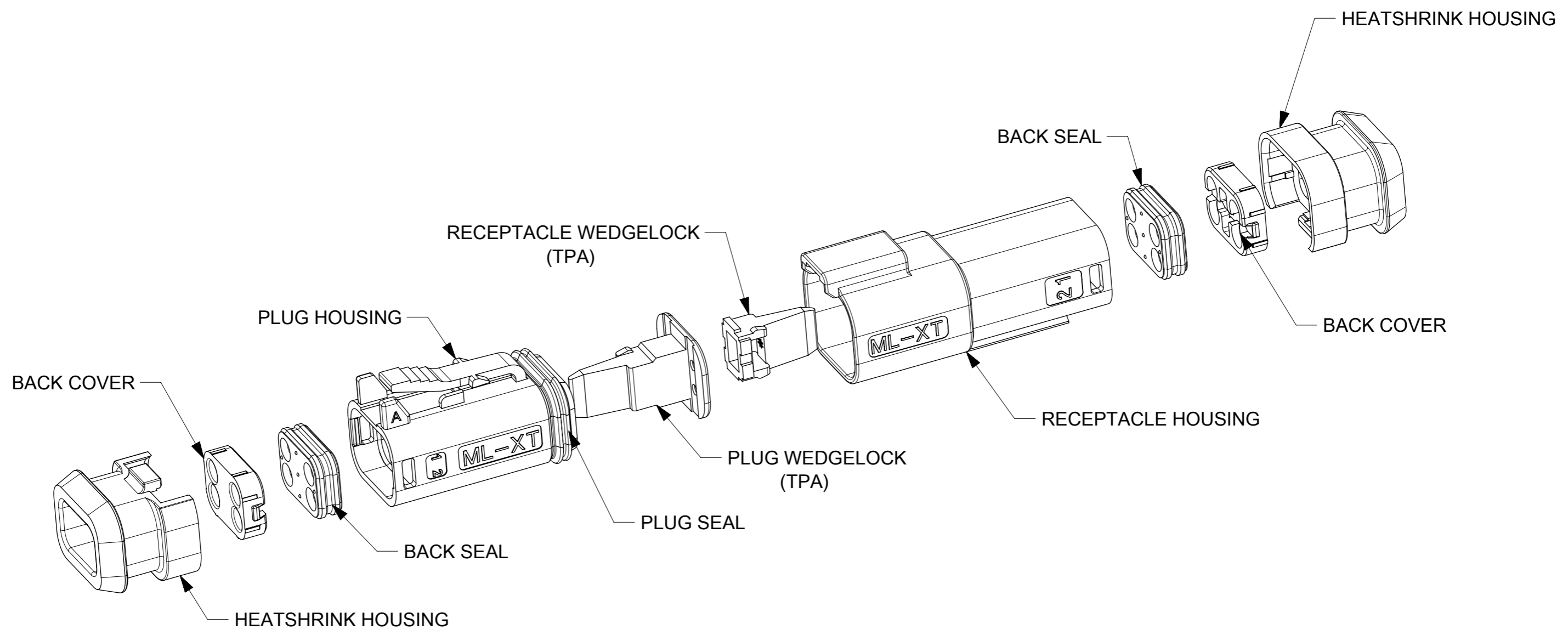
E

D

C

B

A



**NOTES**  
 1. SEE SHEETS 2 TO 9 FOR ALL UNSPECIFIED NOTES, DIMENSIONS AND PART NUMBERS

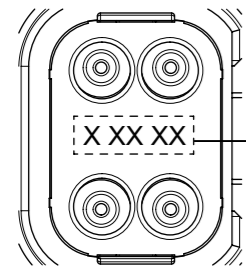
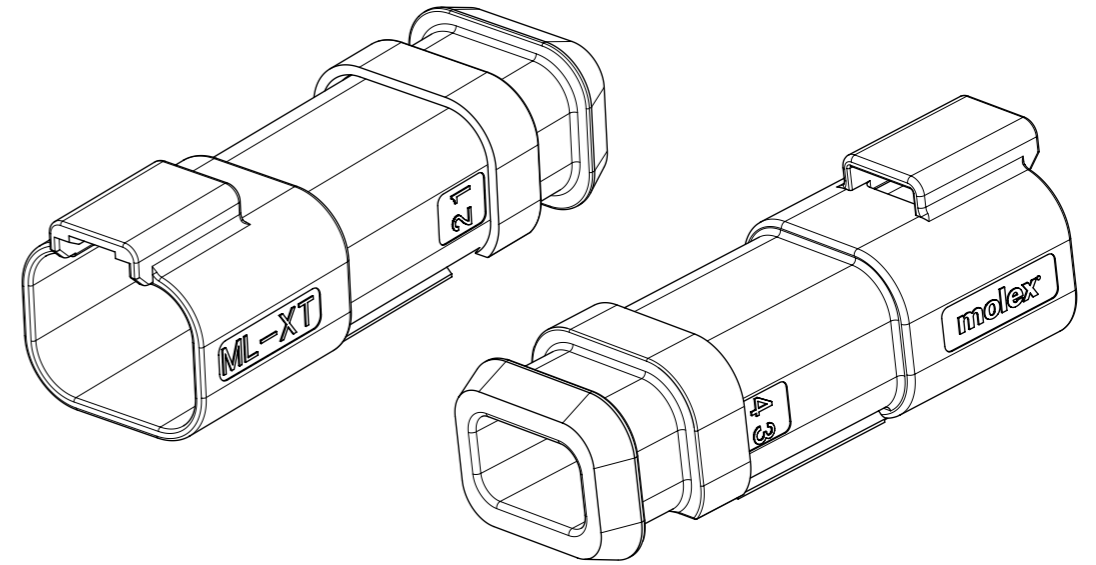
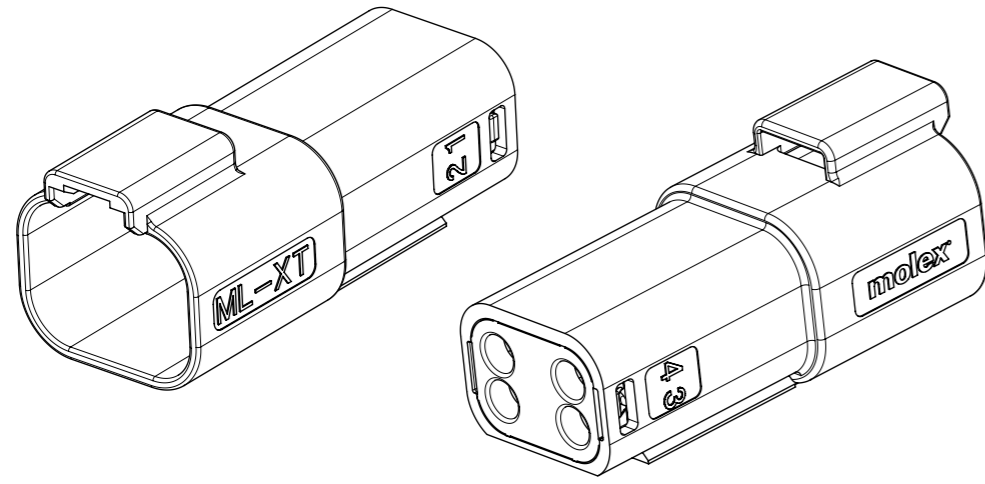
THIS DRAWING CONTAINS INFORMATION THAT IS PROPRIETARY TO MOLEX ELECTRONIC TECHNOLOGIES, LLC AND SHOULD NOT BE USED WITHOUT WRITTEN PERMISSION									
DIMENSION UNITS	SCALE	CURRENT REV DESC: SEE LONG TEXT							
mm	1.5:1	<div style="text-align: center;"><b>molex</b></div> 4CCT ML-XT CV CONNECTOR  PRODUCT CUSTOMER DRAWING							
GENERAL TOLERANCES (UNLESS SPECIFIED)									
ANGULAR TOL	± 2.0°								
4 PLACES	±								
3 PLACES	±								
2 PLACES	± 0.1								
1 PLACE	± 0.2	EC NO: 614716	2019/04/12	DOCUMENT NUMBER: <b>934430030</b> DOC TYPE: PSD DOC PART: 000 REVISION: C2					
0 PLACES	±	DRWN: JFLETCHER	2015/11/02						
DRAFT WHERE APPLICABLE MUST REMAIN WITHIN DIMENSIONS		APPR: IOCONNELL	2019/09/16						
THIRD ANGLE PROJECTION		DRAWING	SERIES	MATERIAL NUMBER	CUSTOMER	SHEET NUMBER			
		A3-SIZE	93443	SEE NOTES	GENERAL MARKET	1 OF 9			

DOCUMENT STATUS	P1	RELEASE DATE	2019/09/16	10:45:55
-----------------	----	--------------	------------	----------

9 8 7 6 5 4 3 2 1

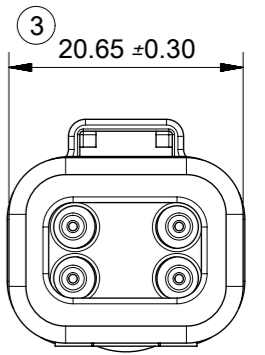
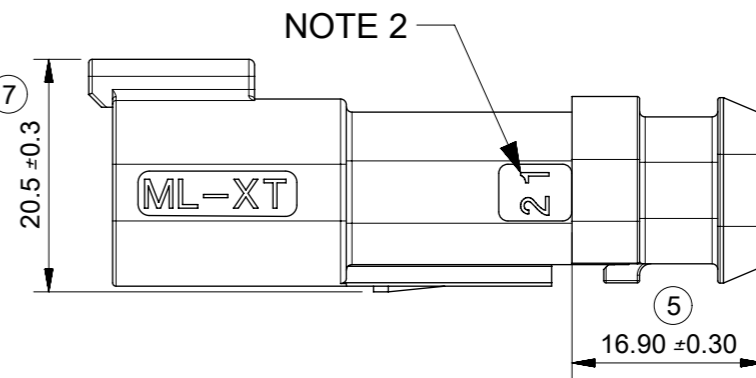
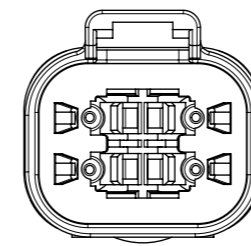
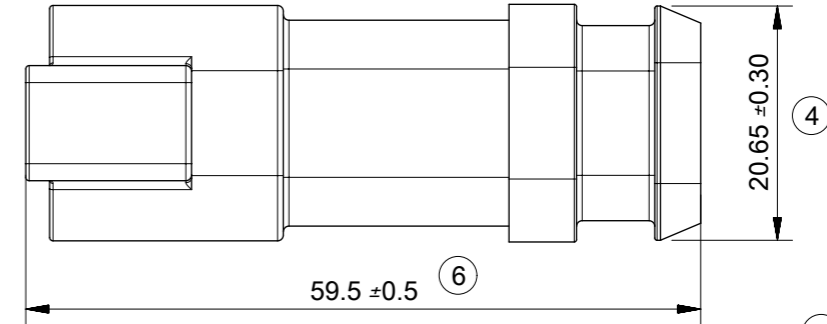
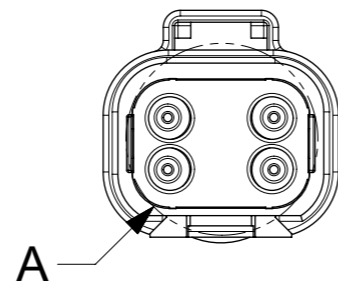
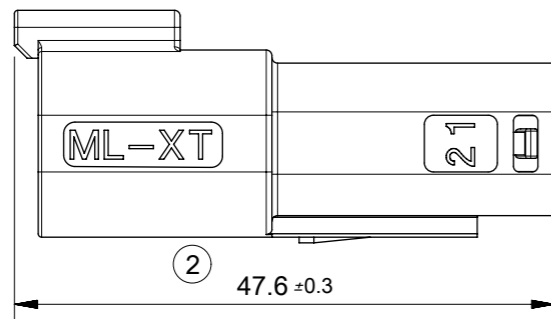
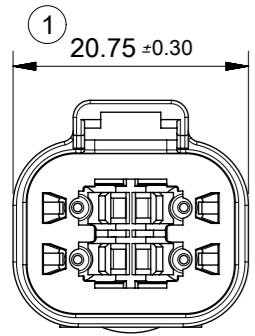
4CCT RECEPTACLE CONNECTOR

4CCT RECEPTACLE CONNECTOR WITH HEATSHRINK HOUSING ULTRASONICALLY WELDED IN PLACE



DATE CODE: X XX XX  
 X — DAY: 1 - 7  
 X — WEEK: 01 - 52  
 X — YEAR: 00 - 99  
 # — MACHINE NO. 1  
 EXAMPLE: 11315 = DAY 1, WEEK 13, YEAR 15  
 i.e. 23rd OF MARCH 2015

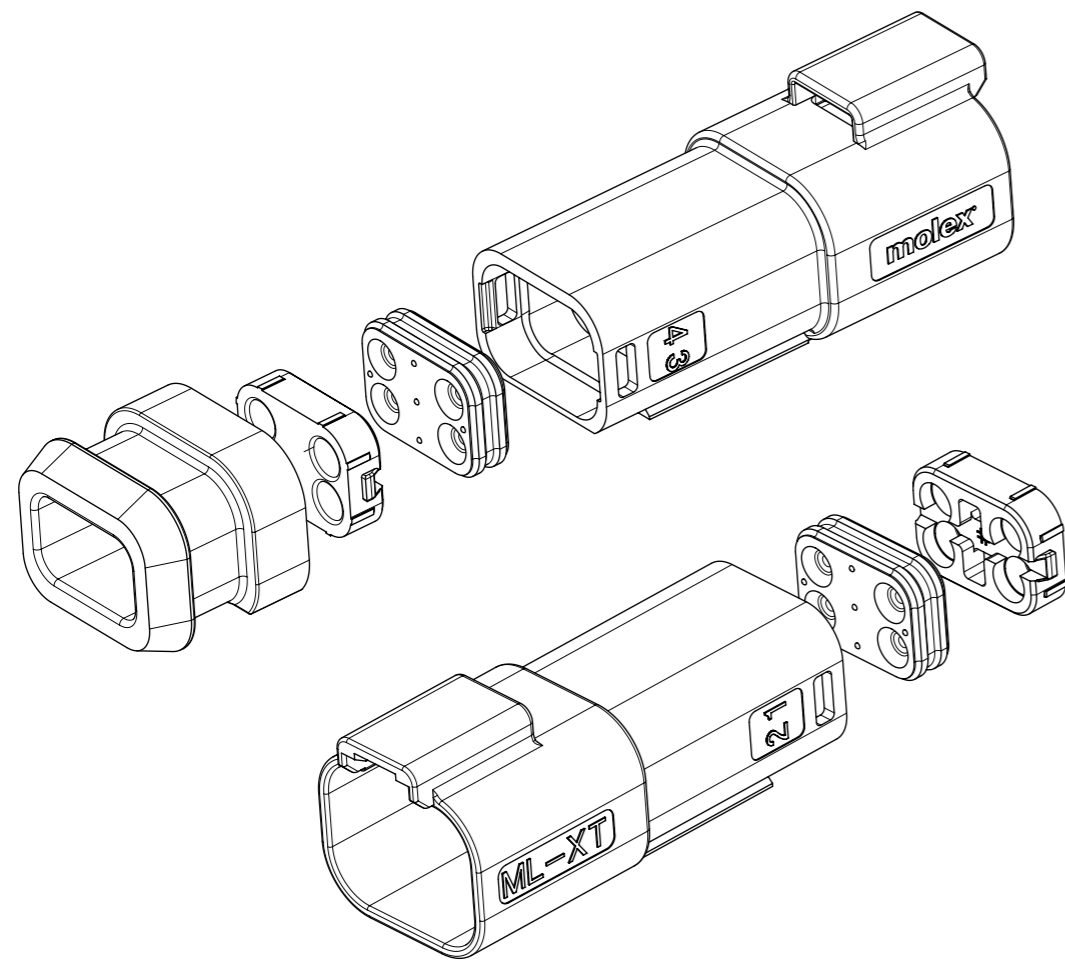
DETAIL A  
 SCALE 2:1



- MATERIAL  
 HOUSING: NYLON 30%GF  
 BACK SEAL: HIGH CONSISTENCY RUBBER
- CIRCUIT IDENTIFICATION
- JACKET RANGE LARGE =  $\varnothing$ 2.23MM - 3.68MM (SEAL COLOUR: LIGHT BLUE)  
 JACKET RANGE SMALL =  $\varnothing$ 1.20MM - 3.05MM (SEAL COLOUR: BURNT ORANGE)
- SEE SHEET 3 FOR FINAL PART NUMBER
- SEE 934430010 PSP FOR PRODUCT SPECIFICATION
- SEE 934430002 PSK FOR PACKAGING SPECIFICATION

INSPECTION NUMBERS 1 - 50 RESERVED FOR SHEET 2  
 LAST INSPECTION NO. 7

THIS DRAWING CONTAINS INFORMATION THAT IS PROPRIETARY TO MOLEX ELECTRONIC TECHNOLOGIES, LLC AND SHOULD NOT BE USED WITHOUT WRITTEN PERMISSION		CURRENT REV DESC: SEE LONG TEXT		<b>molex</b>	
DIMENSION UNITS	SCALE				
mm	1.5:1			PRODUCT CUSTOMER DRAWING	
GENERAL TOLERANCES (UNLESS SPECIFIED)		EC NO: 614716		DOCUMENT NUMBER	
ANGULAR TOL	± 2.0°	DRWN: JFLETCHER 2019/04/12		934430030	
4 PLACES	±	CHK'D: IOCONNELL 2019/09/05		DOC TYPE DOC PART REVISION	
3 PLACES	±	APPR: IOCONNELL 2019/09/16		PSD 000 C2	
2 PLACES	± 0.1	INITIAL REVISION:		MATERIAL NUMBER	
1 PLACE	± 0.2	DRWN: JFLETCHER 2015/11/02		CUSTOMER	
0 PLACES	±	APPR: JDWALLACE 2015/11/16		GENERAL MARKET	
DRAFT WHERE APPLICABLE MUST REMAIN WITHIN DIMENSIONS	THIRD ANGLE PROJECTION	DRAWING	SERIES	SHEET NUMBER	
		A3-SIZE	93443	2 OF 9	



**4CCT RECEPTACLE CONNECTOR**

**SERIES No.** 93444

**CIRCUIT SIZE**  
3 = 4CCT 3 - --

**ASSEMBLY OPTIONS:**  
 1 = RECEP ASSEMBLY FOR WIRE JACKET RANGE: Ø1.20mm - 3.05mm (NOTE 2)  
 2 = RECEP ASSEMBLY FOR WIRE JACKET RANGE: Ø2.23mm - 3.68mm (NOTE 2)  
 5 = RECEP ASSEMBLY & HEATSHRINK FOR WIRE JACKET RANGE: Ø1.20mm - 3.05mm (NOTE 3)  
 6 = RECEP ASSEMBLY & HEATSHRINK FOR WIRE JACKET RANGE: Ø2.23mm - 3.68mm (NOTE 3)

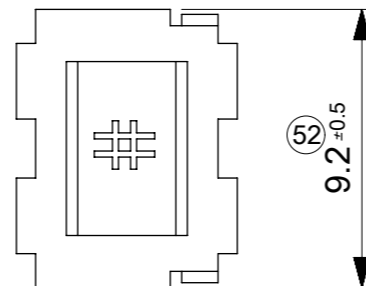
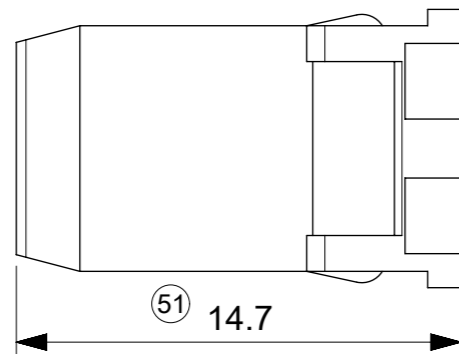
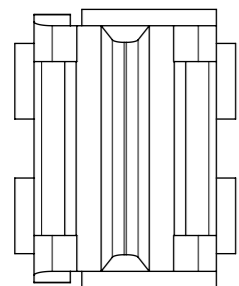
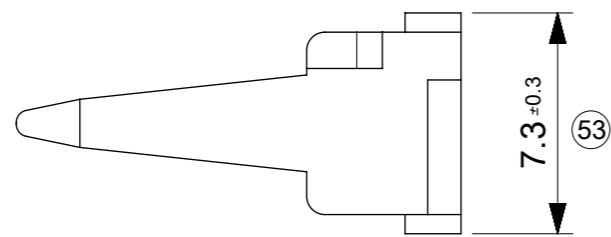
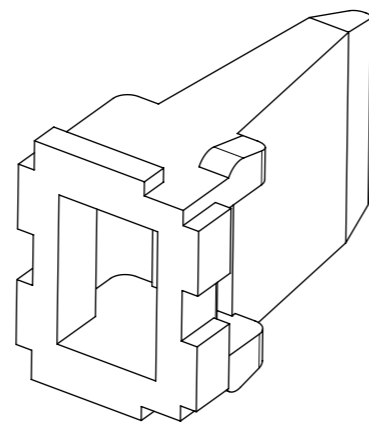
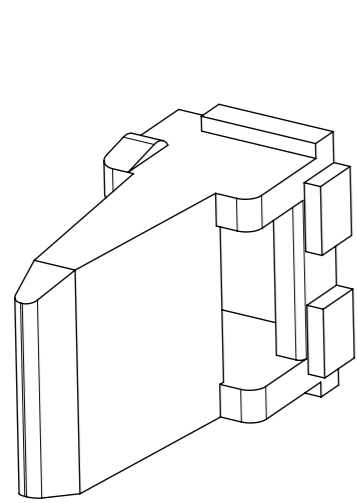
**COLOUR**

01=BLACK	06 = WHITE
02=GREY	07 = BROWN
03=GREEN	08 = ORANGE
04=BLUE	09 = RED
05=YELLOW	

**EXAMPLE:**  
 4cct RECEP BLACK WITH LARGE SEAL AND HEATSHRINK = 93444-3601

- NOTES**
1. SEE SHEET 2 FOR UNSPECIFIED NOTES AND DIMENSIONS
  2. BACK COVER COLOUR BLACK
  3. HEATSHRINK COLOUR BLACK

THIS DRAWING CONTAINS INFORMATION THAT IS PROPRIETARY TO MOLEX ELECTRONIC TECHNOLOGIES, LLC AND SHOULD NOT BE USED WITHOUT WRITTEN PERMISSION										
DIMENSION UNITS	SCALE	CURRENT REV DESC: SEE LONG TEXT					<b>molex</b>			
mm	1:1									
GENERAL TOLERANCES (UNLESS SPECIFIED)		EC NO: 614716					4CCT ML-XT CV CONNECTOR			
ANGULAR TOL ± 2.0°		DRWN: JFLETCHER 2019/04/12								
4 PLACES ±		CHK'D: IOCONNELL 2019/09/05					PRODUCT CUSTOMER DRAWING			
3 PLACES ±		APPR: IOCONNELL 2019/09/16								
2 PLACES ± 0.1		INITIAL REVISION:					DOCUMENT NUMBER <b>934430030</b>			
1 PLACE ± 0.2		DRWN: JFLETCHER 2015/11/02								
0 PLACES ±		APPR: JDWALLACE 2015/11/16					DOC TYPE DOC PART REVISION PSD 000 C2			
DRAFT WHERE APPLICABLE MUST REMAIN WITHIN DIMENSIONS		THIRD ANGLE PROJECTION	DRAWING	SERIES	MATERIAL NUMBER	CUSTOMER				
		⊕	A3-SIZE	93443	SEE NOTES	GENERAL MARKET	3 OF 9			



4CCT RECEP. WEDGELOCK

SERIES NO. 93447 3 0 --

CIRCUIT SIZE  
3 = 4CCT

COLOUR/KEYING  
03 = GREEN (NO KEY)  
12 = GREY A KEY  
21 = BLACK B KEY  
33 = GREEN C KEY  
47 = BROWN D KEY

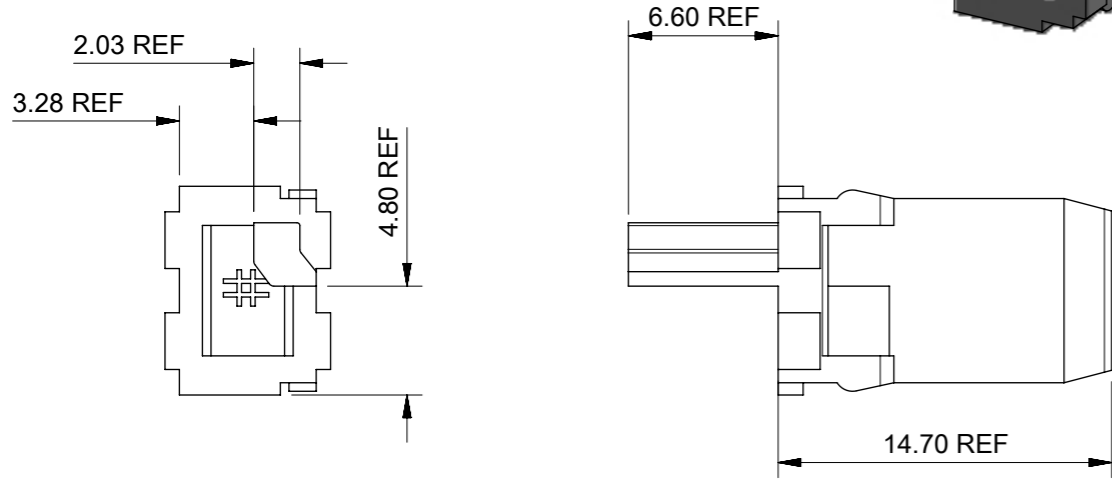
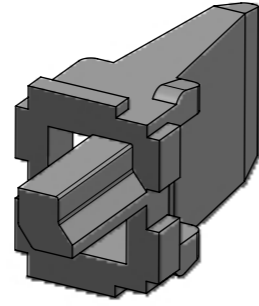
NOTES

- 1. MATERIAL NYLON 30%GF
- 2. PART NUMBER 934473003 SHOWN

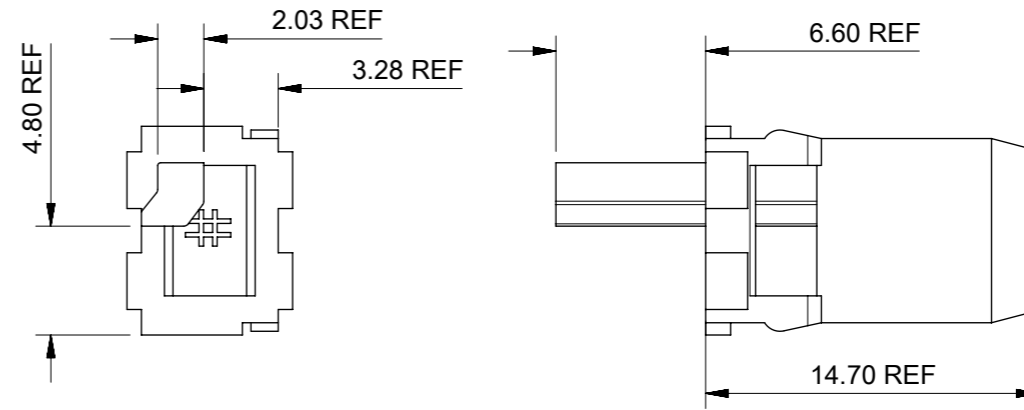
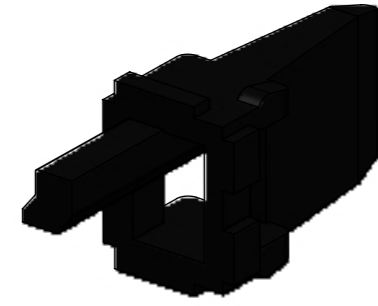
INSPECTION NUMBERS 51-100 RESERVED FOR SHEET 4  
LAST INSPECTION NUMBER 53

THIS DRAWING CONTAINS INFORMATION THAT IS PROPRIETARY TO MOLEX ELECTRONIC TECHNOLOGIES, LLC AND SHOULD NOT BE USED WITHOUT WRITTEN PERMISSION		CURRENT REV DESC: SEE LONG TEXT		<b>molex</b>	
DIMENSION UNITS	SCALE	EC NO: 614716			
mm	1.5:1	DRWN: JFLETCHER 2019/04/12		PRODUCT CUSTOMER DRAWING	
GENERAL TOLERANCES (UNLESS SPECIFIED)		CHK'D: IOCONNELL 2019/09/05		DOCUMENT NUMBER	
ANGULAR TOL	± 2.0°	APPR: IOCONNELL 2019/09/16		934430030	
4 PLACES	±	INITIAL REVISION:		DOC TYPE	DOC PART
3 PLACES	±	DRWN: JFLETCHER 2015/11/02		PSD	000
2 PLACES	± 0.1	APPR: JDWALLACE 2015/11/16		REVISION	
1 PLACE	± 0.2	THIRD ANGLE PROJECTION		C2	
0 PLACES	±	DRAWING	SERIES	MATERIAL NUMBER	CUSTOMER
DRAFT WHERE APPLICABLE MUST REMAIN WITHIN DIMENSIONS		A3-SIZE	93443	SEE NOTES	GENERAL MARKET
		SHEET NUMBER		4 OF 9	

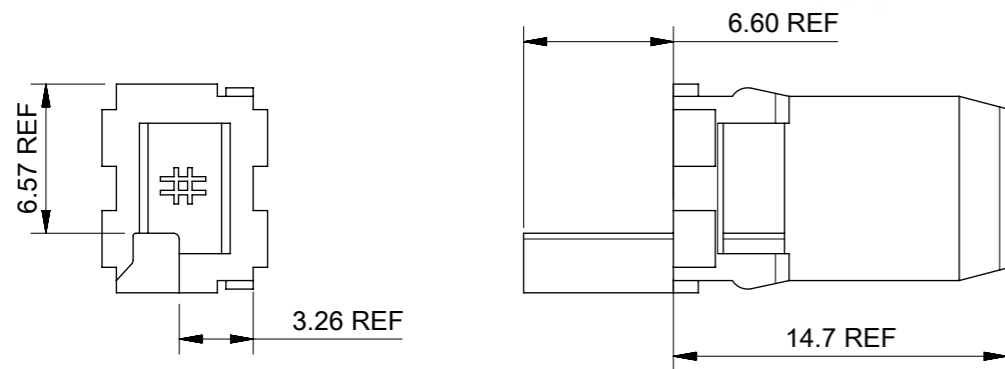
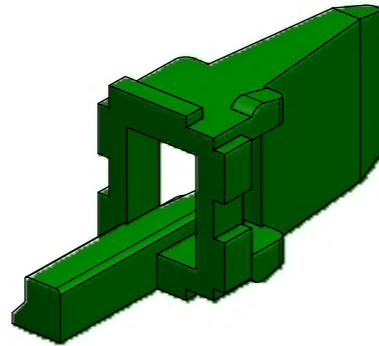
934473012 (KEY A)  
COLOUR GREY



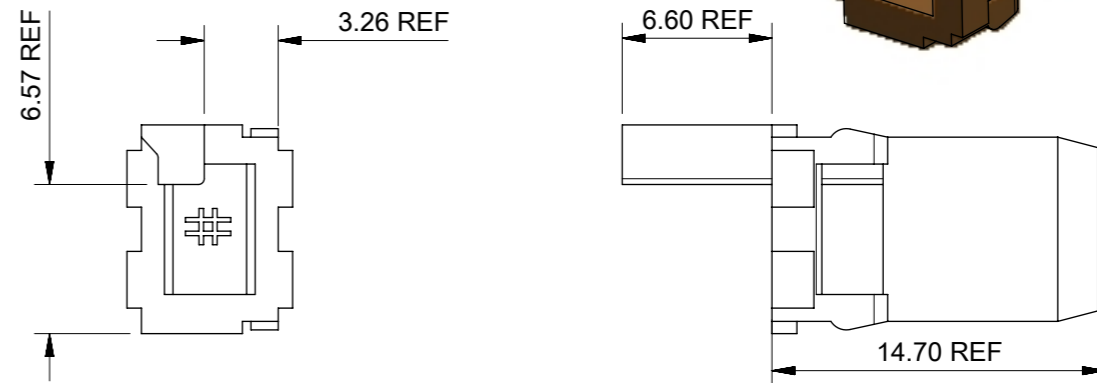
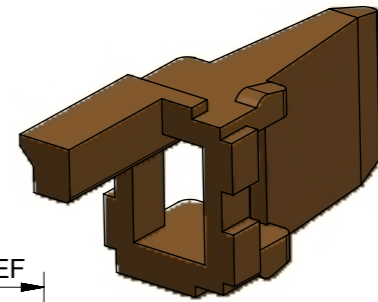
934473021 (KEY B)  
COLOUR BLACK



934473033 (KEY C)  
COLOUR GREEN



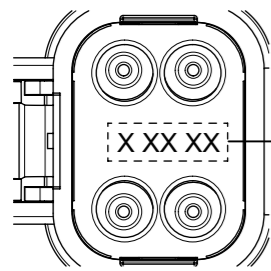
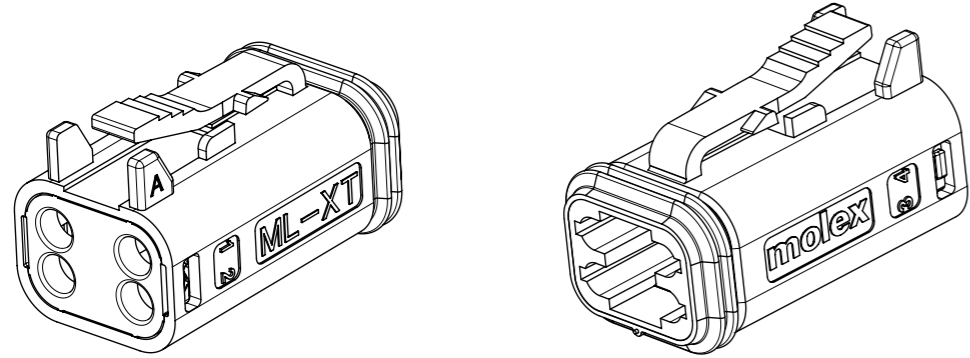
934473047 (KEY D)  
COLOUR BROWN



NOTES:  
1. MATERIAL PA66 30%GF  
2. SEE SHEET 4 FOR UNSPECIFIED NOTES & DIMENSIONS

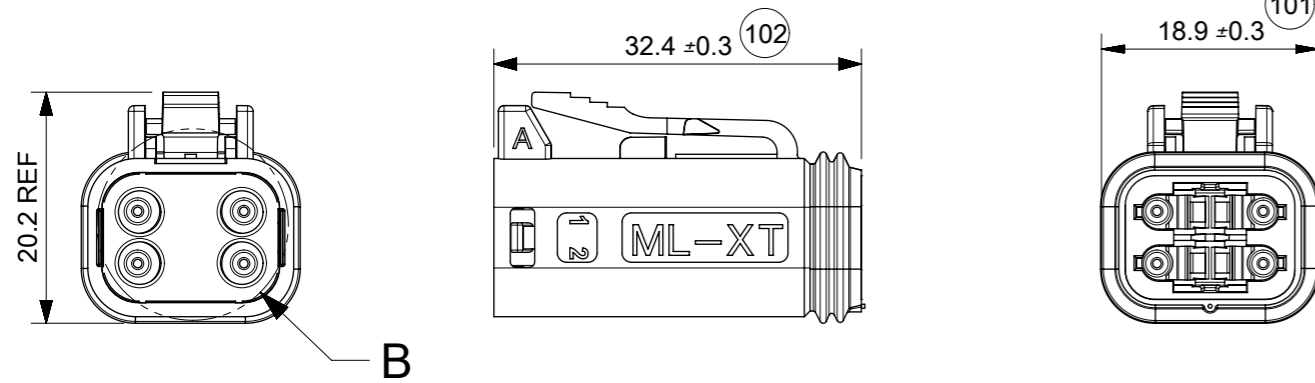
THIS DRAWING CONTAINS INFORMATION THAT IS PROPRIETARY TO MOLEX ELECTRONIC TECHNOLOGIES, LLC AND SHOULD NOT BE USED WITHOUT WRITTEN PERMISSION																																	
DIMENSION UNITS	SCALE	CURRENT REV DESC: SEE LONG TEXT																															
mm	3:1	<table border="1"> <tr> <td colspan="2"><b>molex</b></td> </tr> <tr> <td colspan="2">4CCT ML-Xt CV CONNECTOR</td> </tr> <tr> <td colspan="2">PRODUCT CUSTOMER DRAWING</td> </tr> <tr> <td>DOCUMENT NUMBER</td> <td>DOC TYPE   DOC PART   REVISION</td> </tr> <tr> <td>934430030</td> <td>PSD   000   C2</td> </tr> <tr> <td>DRAFT WHERE APPLICABLE MUST REMAIN WITHIN DIMENSIONS</td> <td>THIRD ANGLE PROJECTION</td> <td>DRAWING</td> <td>SERIES</td> <td>MATERIAL NUMBER</td> <td>CUSTOMER</td> <td>SHEET NUMBER</td> </tr> <tr> <td></td> <td></td> <td>A3-SIZE</td> <td>93443</td> <td>SEE NOTES</td> <td>GENERAL MARKET</td> <td>5 OF 9</td> </tr> </table>								<b>molex</b>		4CCT ML-Xt CV CONNECTOR		PRODUCT CUSTOMER DRAWING		DOCUMENT NUMBER	DOC TYPE   DOC PART   REVISION	934430030	PSD   000   C2	DRAFT WHERE APPLICABLE MUST REMAIN WITHIN DIMENSIONS	THIRD ANGLE PROJECTION	DRAWING	SERIES	MATERIAL NUMBER	CUSTOMER	SHEET NUMBER			A3-SIZE	93443	SEE NOTES	GENERAL MARKET	5 OF 9
<b>molex</b>																																	
4CCT ML-Xt CV CONNECTOR																																	
PRODUCT CUSTOMER DRAWING																																	
DOCUMENT NUMBER	DOC TYPE   DOC PART   REVISION																																
934430030	PSD   000   C2																																
DRAFT WHERE APPLICABLE MUST REMAIN WITHIN DIMENSIONS	THIRD ANGLE PROJECTION	DRAWING	SERIES	MATERIAL NUMBER	CUSTOMER	SHEET NUMBER																											
		A3-SIZE	93443	SEE NOTES	GENERAL MARKET	5 OF 9																											
GENERAL TOLERANCES (UNLESS SPECIFIED)																																	
ANGULAR TOL	± 2.0°																																
4 PLACES	±																																
3 PLACES	±																																
2 PLACES	± 0.1																																
1 PLACE	± 0.2																																
0 PLACES	±																																

4CCT PLUG CONNECTOR

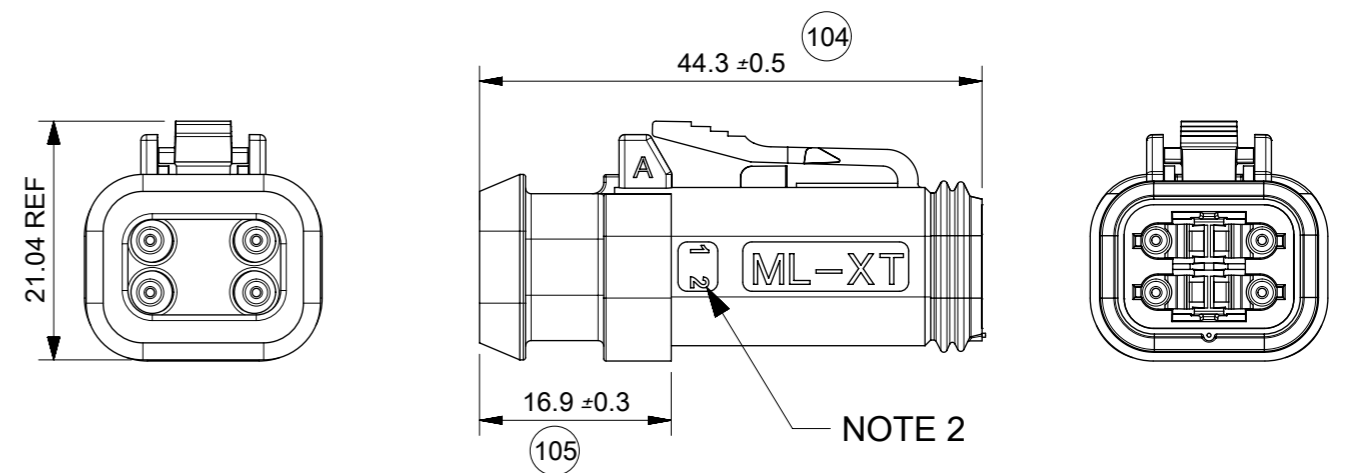
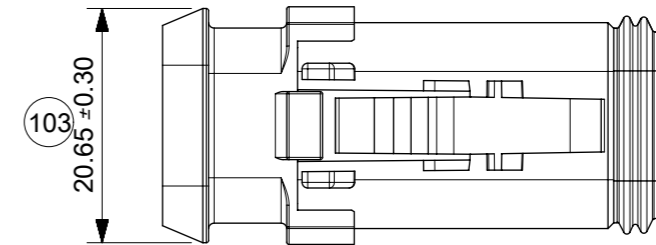
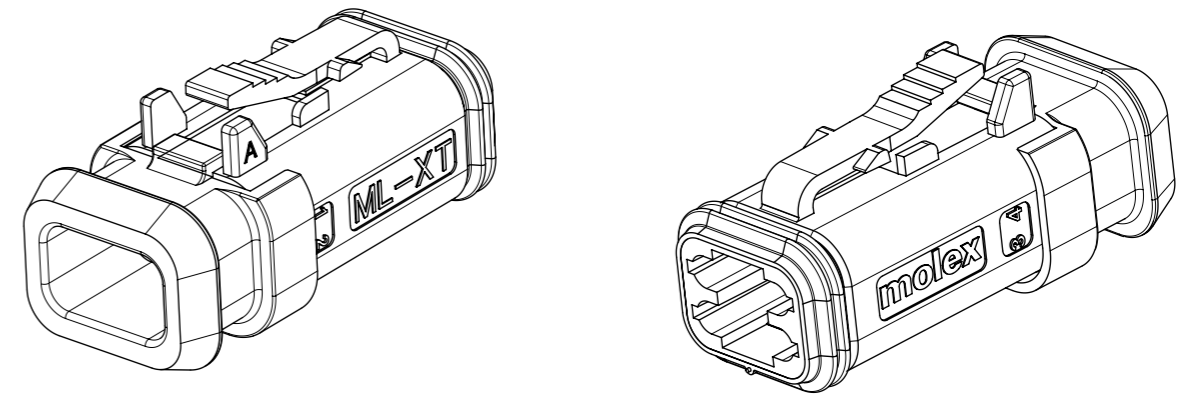


DETAIL B  
SCALE 2:1

DATE CODE: X XX XX  
 X— DAY: 1- 7  
 X — WEEK: 01 - 52  
 X — YEAR: 00 - 99  
 # — MACHINE NO. 1  
 EXAMPLE: 11315 = DAY 1, WEEK 13, YEAR 15  
 i.e. 23rd OF MARCH 2015



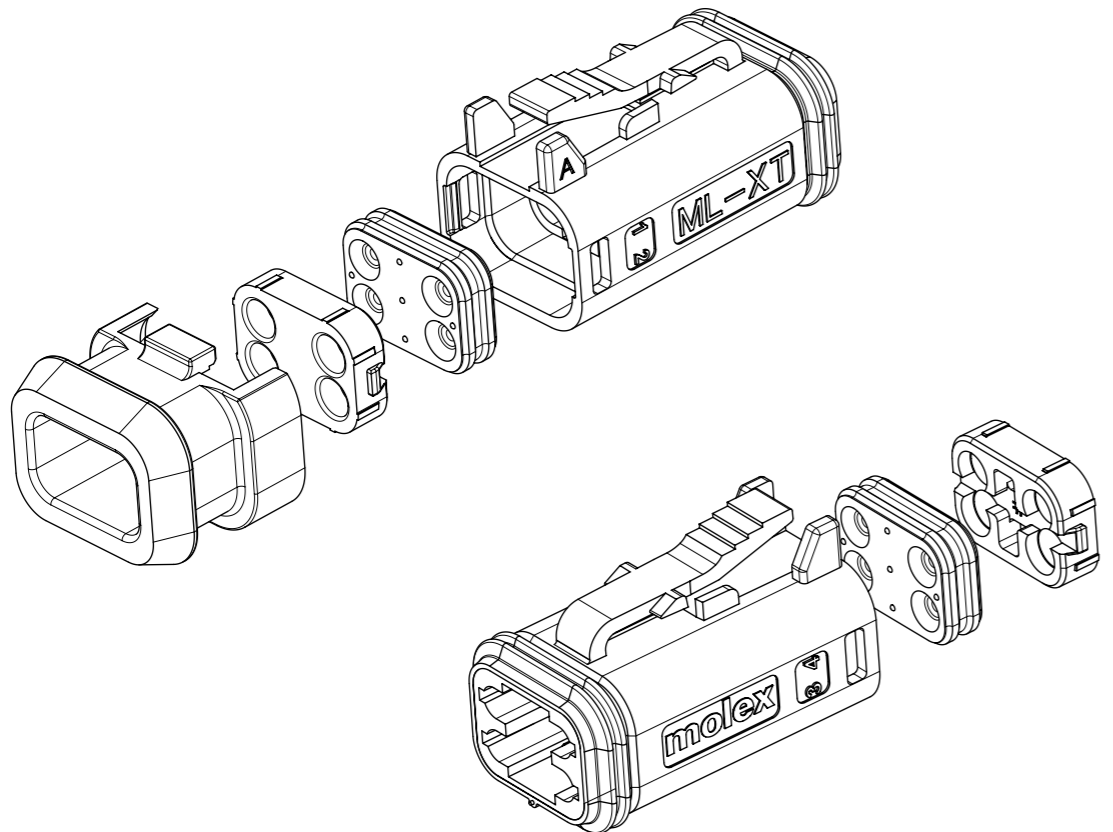
4CCT PLUG CONNECTOR WITH HEATSHRINK HOUSING ULTRASONICALLY WELDED IN PLACE



- NOTES
- MATERIAL:  
 HOUSING: NYLON 30% GF  
 PLUG SEAL: SILICONE RUBBER  
 BACK SEAL: HIGH CONSISTENCY RUBBER
  - CIRCUIT IDENTIFICATION
  - JACKET RANGE LARGE =  $\varnothing$ 2.23MM - 3.68MM (SEAL COLOUR: LIGHT BLUE)  
 JACKET RANGE SMALL =  $\varnothing$ 1.20MM - 3.05MM (SEAL COLOUR: BURNT ORANGE)
  - SEE SHEET 7 FOR FINAL PART NUMBER DESIGNATION

INSPECTION NUMBERS 101-150 RESERVED FOR SHEET 6  
 LAST INSPECTION NUMBER 105

THIS DRAWING CONTAINS INFORMATION THAT IS PROPRIETARY TO MOLEX ELECTRONIC TECHNOLOGIES, LLC AND SHOULD NOT BE USED WITHOUT WRITTEN PERMISSION									
DIMENSION UNITS	SCALE	CURRENT REV DESC: SEE LONG TEXT							
mm	1:1								
GENERAL TOLERANCES (UNLESS SPECIFIED)									
ANGULAR TOL	± 2.0°	4CCT ML-XT CV CONNECTOR							
4 PLACES	±	PRODUCT CUSTOMER DRAWING							
3 PLACES	±	DOCUMENT NUMBER							
2 PLACES	± 0.1	934430030							
1 PLACE	± 0.2	DOC TYPE DOC PART REVISION							
0 PLACES	±	PSD 000 C2							
DRAFT WHERE APPLICABLE MUST REMAIN WITHIN DIMENSIONS	THIRD ANGLE PROJECTION	DRAWING	SERIES	MATERIAL NUMBER	CUSTOMER	SHEET NUMBER			
		A3-SIZE	93443	SEE NOTES	GENERAL MARKET	6 OF 9			



4CCT PLUG CONNECTOR

93445      3      -      --

SERIES No. \_\_\_\_\_

CIRCUIT SIZE  
3 = 4CCT

ASSEMBLY OPTIONS:

- 1 = PLUG ASSEMBLY FOR WIRE JACKET RANGE:  $\varnothing$ 1.20mm - 3.05mm (NOTE 2)
- 2 = PLUG ASSEMBLY FOR WIRE JACKET RANGE:  $\varnothing$ 2.23mm - 3.68mm (NOTE 2)
- 5 = PLUG ASSEMBLY & HEATSHRINK FOR WIRE JACKET RANGE:  $\varnothing$ 1.20mm - 3.05mm (NOTE 3)
- 6 = PLUG ASSEMBLY & HEATSHRINK FOR WIRE JACKET RANGE:  $\varnothing$ 2.23mm - 3.68mm (NOTE 3)

COLOUR

- 01=BLACK      06 = WHITE
- 02=GREY      07 = BROWN
- 03=GREEN     08 = ORANGE
- 04=BLUE      09 = RED
- 05=YELLOW

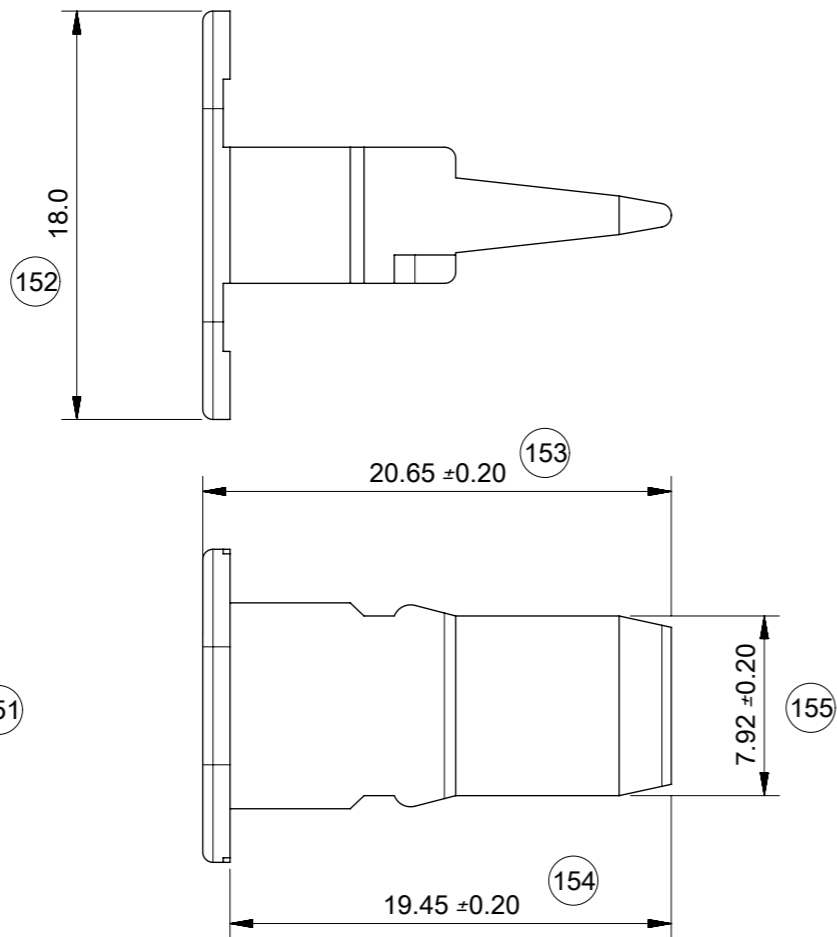
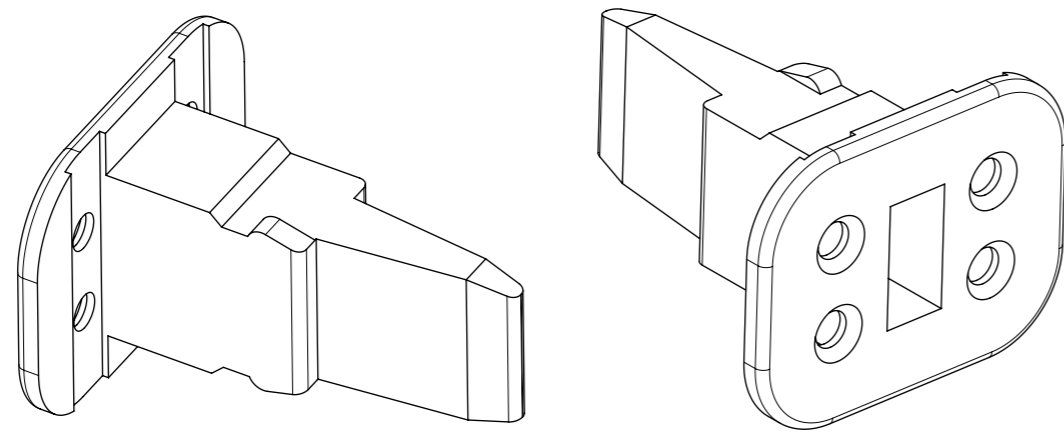
EXAMPLE:

4cct PLUG BLACK WITH LARGE SEAL AND HEATSHRINK = 93444-3601

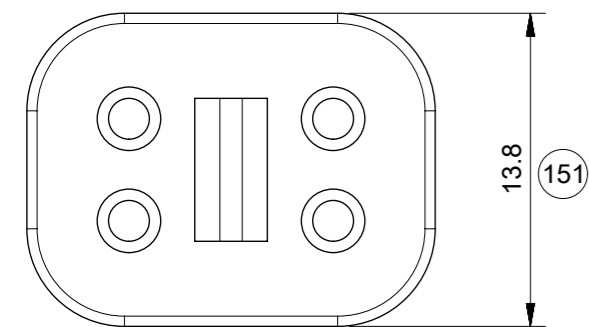
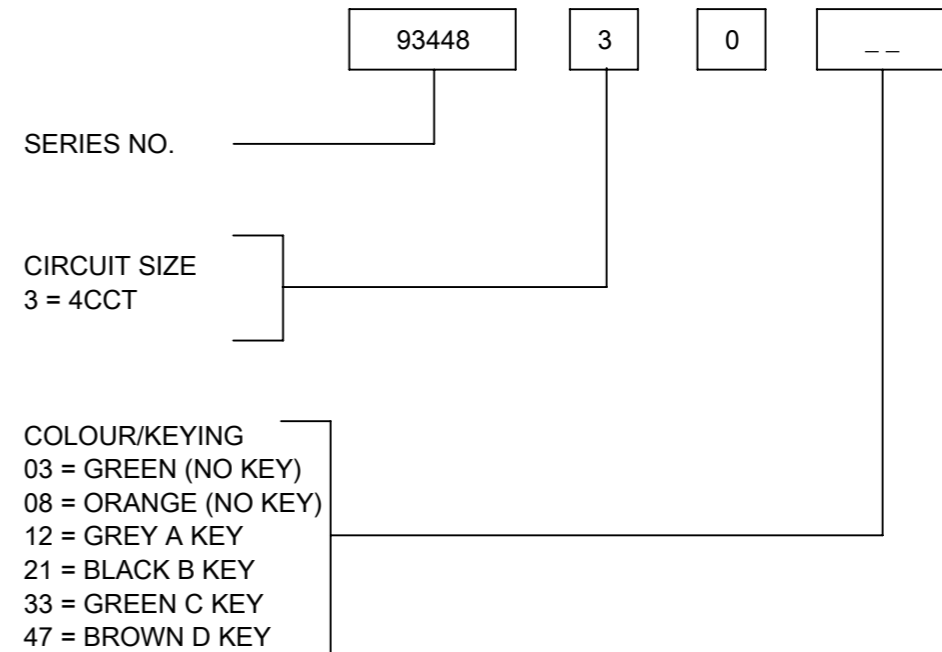
NOTES

1. SEE SHEET 6 FOR UNSPECIFIED NOTES AND DIMENSIONS
2. BACK COVER COLOUR BLACK
3. HEATSHRINK COLOUR BLACK

THIS DRAWING CONTAINS INFORMATION THAT IS PROPRIETARY TO MOLEX ELECTRONIC TECHNOLOGIES, LLC AND SHOULD NOT BE USED WITHOUT WRITTEN PERMISSION										
DIMENSION UNITS	SCALE	CURRENT REV DESC: SEE LONG TEXT				<b>molex</b>				
mm	1:1									
GENERAL TOLERANCES (UNLESS SPECIFIED)						4CCT ML-XT CV CONNECTOR				
ANGULAR TOL	± 2.0 °	EC NO: 614716				PRODUCT CUSTOMER DRAWING				
4 PLACES	±	DRWN: JFLETCHER		2019/04/12						
3 PLACES	±	CHK'D: IOCONNELL		2019/09/05						
2 PLACES	± 0.1	APPR: IOCONNELL		2019/09/16						
1 PLACE	± 0.2	INITIAL REVISION:				DOCUMENT NUMBER				
0 PLACES	±	DRWN: JFLETCHER		2015/11/02		934430030		DOC TYPE	DOC PART	REVISION
DRAFT WHERE APPLICABLE MUST REMAIN WITHIN DIMENSIONS		THIRD ANGLE PROJECTION		DRAWING	SERIES	MATERIAL NUMBER	CUSTOMER	SHEET NUMBER		
				A3-SIZE	93443	SEE NOTES	GENERAL MARKET	7 OF 9		



4CCT PLUG WEDGELOCK



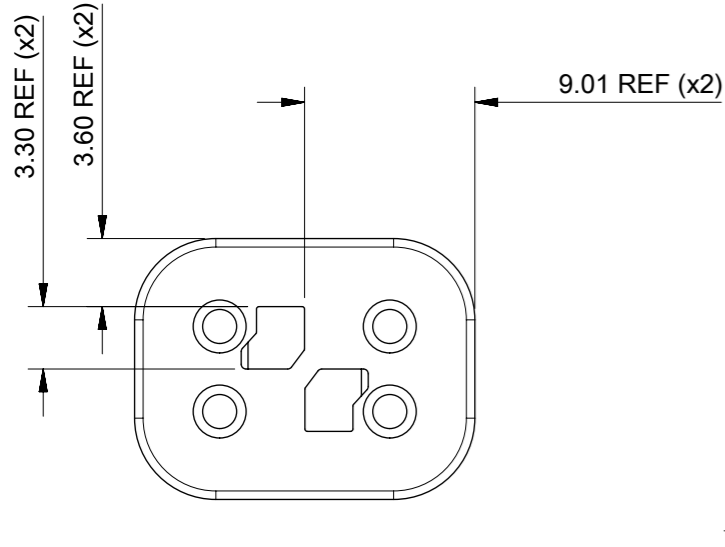
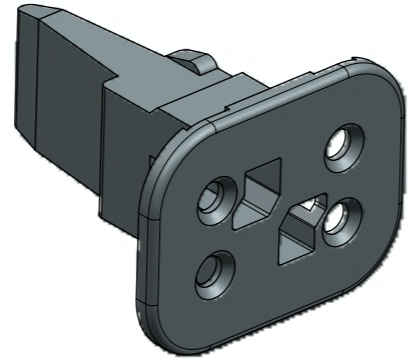
- NOTES
- MATERIAL  
HOUSING: NYLON 30%GF
  - PART NUMBER 934483003 SHOWN

INSPECTION NUMBERS 151-200 RESERVED FOR SHEET 8  
 LAST INSPECTION NUMBER 155

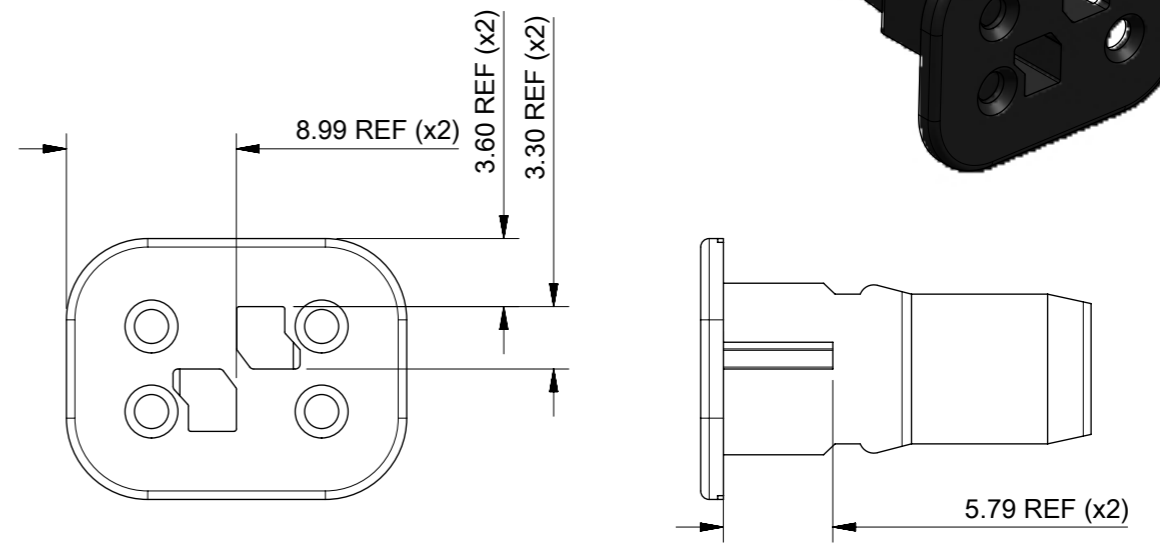
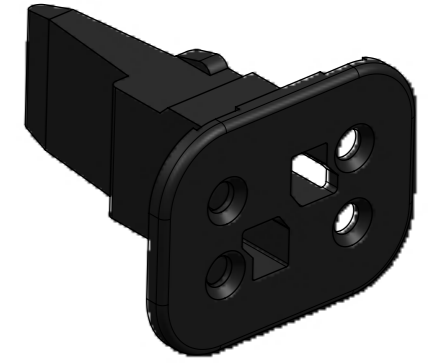
THIS DRAWING CONTAINS INFORMATION THAT IS PROPRIETARY TO MOLEX ELECTRONIC TECHNOLOGIES, LLC AND SHOULD NOT BE USED WITHOUT WRITTEN PERMISSION										
DIMENSION UNITS	SCALE	CURRENT REV DESC: SEE LONG TEXT								
mm	3:1									
GENERAL TOLERANCES (UNLESS SPECIFIED)		EC NO: 614716			4CCT ML-XT CV CONNECTOR					
ANGULAR TOL	± 2.0 °	DRWN: JFLETCHER 2019/04/12			PRODUCT CUSTOMER DRAWING					
4 PLACES	±	CHK'D: IOCONNELL 2019/09/05			DOCUMENT NUMBER					
3 PLACES	±	APPR: IOCONNELL 2019/09/16			934430030			DOC TYPE	DOC PART	REVISION
2 PLACES	± 0.1	INITIAL REVISION:			PSD 000 C2					
1 PLACE	± 0.2	DRWN: JFLETCHER 2015/11/02			MATERIAL NUMBER					
0 PLACES	±	APPR: JDWALLACE 2015/11/16			CUSTOMER					
DRAFT WHERE APPLICABLE MUST REMAIN WITHIN DIMENSIONS		THIRD ANGLE PROJECTION	DRAWING	SERIES	SHEET NUMBER		SHEET NUMBER		SHEET NUMBER	
			A3-SIZE	93443	SEE NOTES		GENERAL MARKET		8 OF 9	



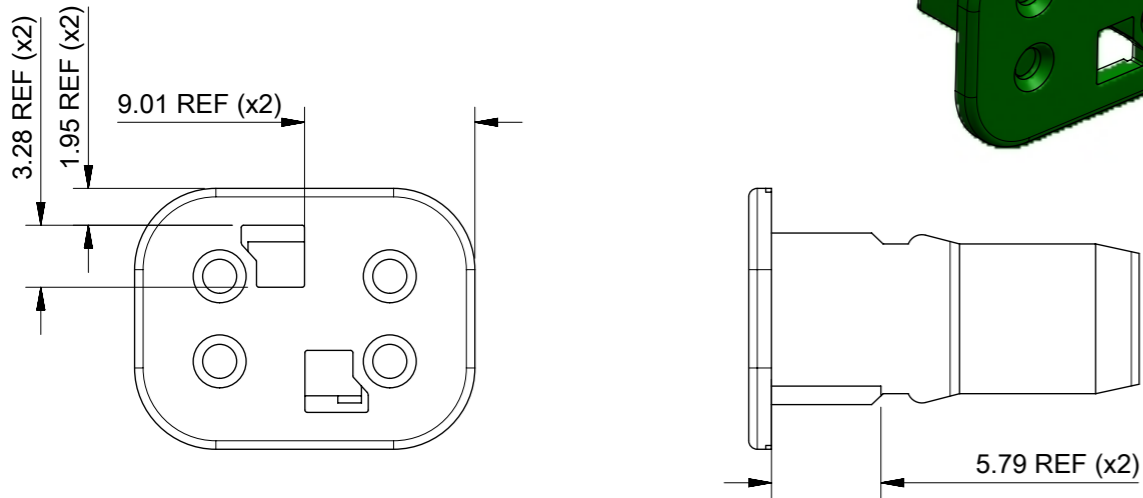
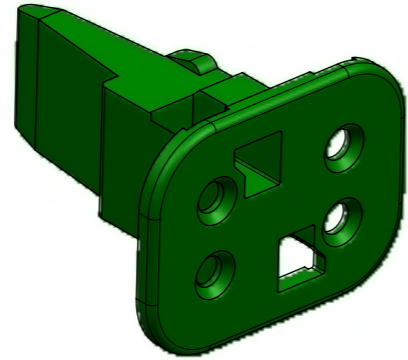
934483012 (KEY A)  
COLOUR GREY



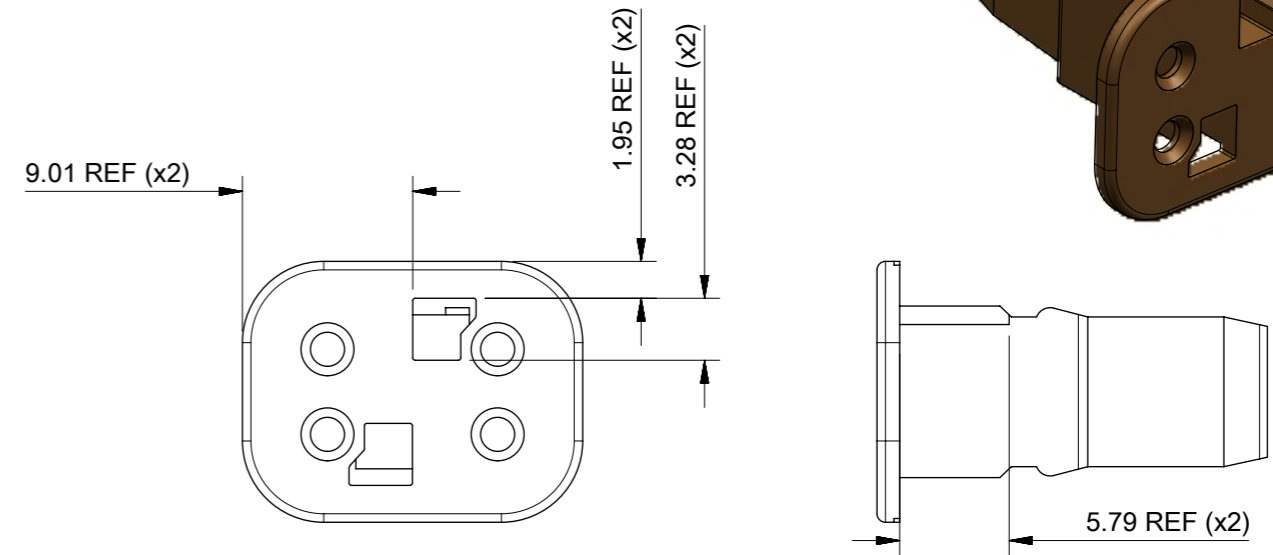
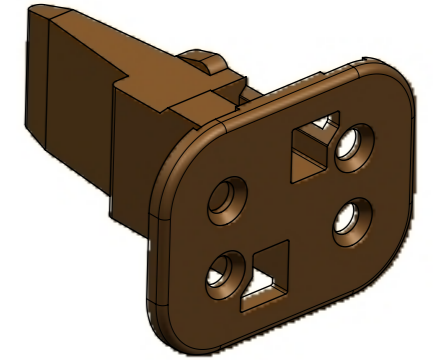
934483021 (KEY B)  
COLOUR BLACK



934483033 (KEY C)  
COLOUR GREEN



934483047 (KEY D)  
COLOUR BROWN



NOTES:  
1. MATERIAL PA66 30%GF  
2. SEE SHEET 4 FOR UNSPECIFIED NOTES & DIMENSIONS

THIS DRAWING CONTAINS INFORMATION THAT IS PROPRIETARY TO MOLEX ELECTRONIC TECHNOLOGIES, LLC AND SHOULD NOT BE USED WITHOUT WRITTEN PERMISSION		CURRENT REV DESC: SEE LONG TEXT		<b>molex</b>	
DIMENSION UNITS	SCALE				
mm	2.5:1			PRODUCT CUSTOMER DRAWING	
GENERAL TOLERANCES (UNLESS SPECIFIED)		EC NO: 614716		DOCUMENT NUMBER	
ANGULAR TOL ± 2.0°		DRWN: JFLETCHER 2019/04/12		934430030	
4 PLACES ±		CHK'D: IOCONNELL 2019/09/05		DOC TYPE DOC PART REVISION	
3 PLACES ±		APPR: IOCONNELL 2019/09/16		PSD 000 C2	
2 PLACES ± 0.1		INITIAL REVISION:		MATERIAL NUMBER	
1 PLACE ± 0.2		DRWN: JFLETCHER 2015/11/02		CUSTOMER	
0 PLACES ±		APPR: JDWALLACE 2015/11/16		GENERAL MARKET	
DRAFT WHERE APPLICABLE MUST REMAIN WITHIN DIMENSIONS		THIRD ANGLE PROJECTION	DRAWING	SERIES	SHEET NUMBER
			A3-SIZE	93443	9 OF 9