

AMPHENOL P/N:

AMPHENOL P/N	PCB THICKNESS DIM "T"	DIM 'A'	DIM 'B'
H11-RDA-10X-3	.062" [1.57]	.053" [1.35]	.053±.004" [1.35±0.10mm]
H11-RDA-10X-3-C	.062" [1.57]	.053" [1.35]	.053±.004" [1.35±0.10mm]
H11-RDA-10X-3-CT	.062" [1.57]	.053" [1.35]	.053±.004" [1.35±0.10mm]
H11-RDA-10X-4	.093" [2.36]	.081" [2.05]	.064±.010" [1.62±0.25mm]
H11-RDA-10X-4-C	.093" [2.36]	.081" [2.05]	.064±.010" [1.62±0.25mm]
H11-RDA-10X-4-CT	.093" [2.36]	.081" [2.05]	.064±.010" [1.62±0.25mm]

PART NUMBER SYSTEM:

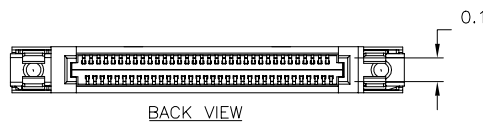
H 1 1 - R D A - 1 0 X - X - X X

OPTIONS:  
0= WITHOUT SCREWLOCKS  
1= WITH SCREWLOCKS

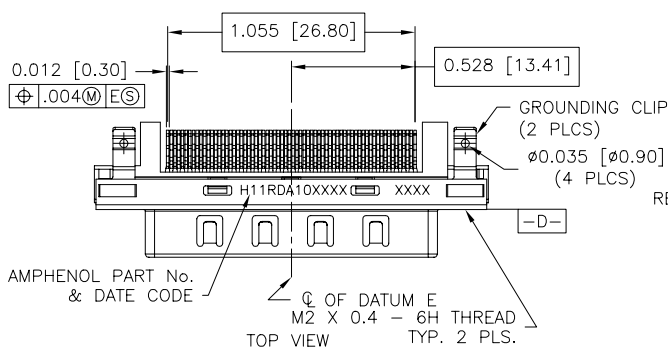
BLANK= WITHOUT PLUG & WITH TUBE PACKAGING;  
C = WITH PLUG & TUBE PACKAGING;  
CT= WITH PLUG & TAPE & REEL PACKAGING

OPTIONS:  
3= FOR 0.062" THICK PCB  
4= FOR 0.093" THICK PCB

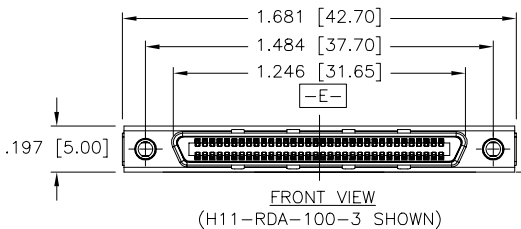
REVISIONS			
REV.	DESCRIPTION	DATE	APPROVED
A	DWG No. CHANGED FROM H11-RDA-101-X	2003/01/15	J.S.
B	HOLES ADDED ON THE GROUND CLIPS	2003/02/27	AK
C	DIM .197 [5.00] ADDED ON ZONE B5	2003/03/21	AK
D	.197 CHG TO .187 ON ZONE B5, DIM 'C' ADDED	2003/07/04	AK
E	ADD PLUG, TAPE & REEL OPTION; ADD P/N SYSTEM; DWG No. CHANGED FROM H11-RDA-100-X	NOV20/03	AK
F	CHANGE CLIP GAP DIM. & TOLERANCE.	JAN6/04	AK
G	CHANGE DWG NO. & ADD MOUNTING OPTION		



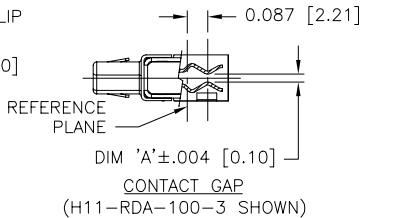
BACK VIEW



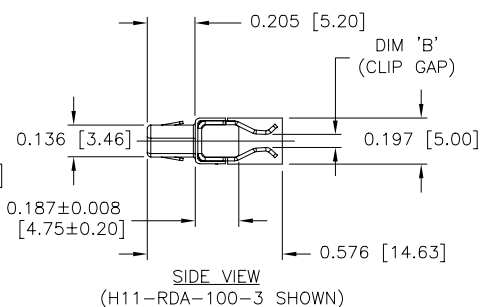
TOP VIEW



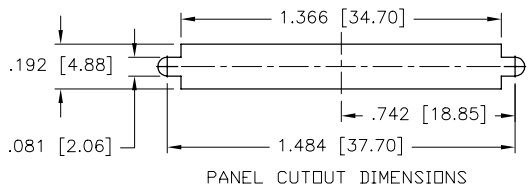
FRONT VIEW



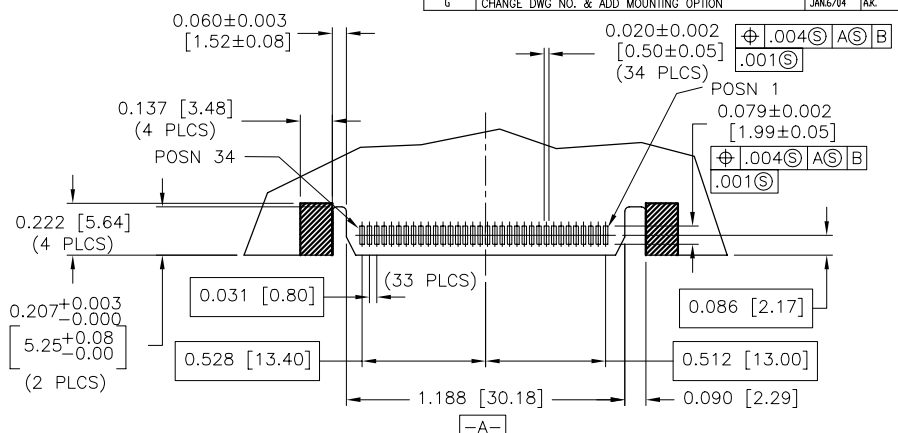
SIDE VIEW (H11-RDA-100-3 SHOWN)



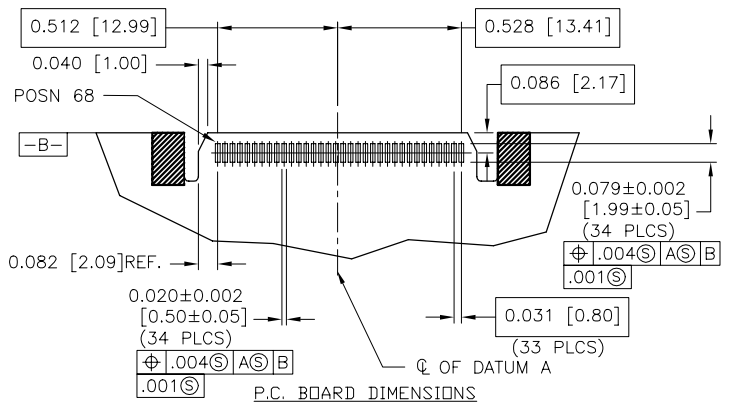
SIDE VIEW (H11-RDA-100-3 SHOWN)



PANEL CUTOUT DIMENSIONS



P.C. BOARD DIMENSIONS



P.C. BOARD DIMENSIONS

NOTE:  
PLASTIC HOUSING: GLASS FILLED THERMOPLASTIC  
FLAMMABILITY RATING UL 94V-0.  
COLOUR: BLACK

CONTACTS: PHOSPHOR BRONZE  
30  $\mu$ " [0.76 MICRONS] GOLD OVER  
50  $\mu$ " [1.27 MICRONS] NICKEL.

SHELL: STEEL, NICKEL PLATED.

GROUNDING CLIP: COPPER ALLOY, 150 $\mu$ " (3.75 MICRONS)  
TIN-LEAD OVER 50 $\mu$ " (1.27 MICRONS) NICKEL

REFLOW: 6 $\mu$ " (0.15 MICRONS) MIN. SOLDER PASTE ON  
P.C. BOARD REQUIRED FOR REFLOW PROCESS.

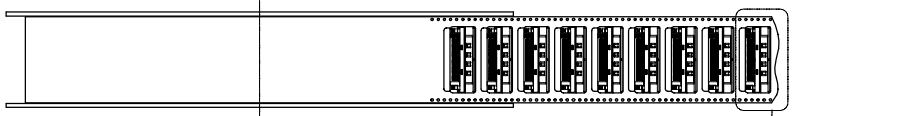
THIS DOCUMENT CONTAINS PROPRIETARY INFORMATION AND SUCH INFORMATION MAY NOT BE DISCLOSED TO OTHERS FOR ANY PURPOSE OR USED FOR MANUFACTURING PURPOSES WITHOUT PERMISSION FROM AMPHENOL CANADA CORP.

DO NOT SCALE DRAWING

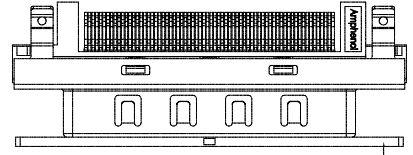
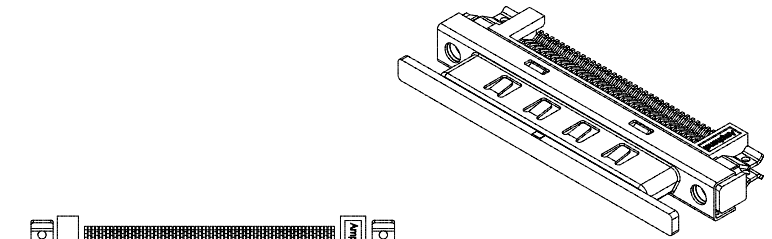
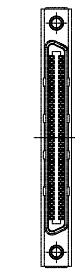
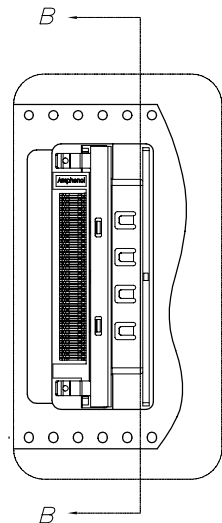
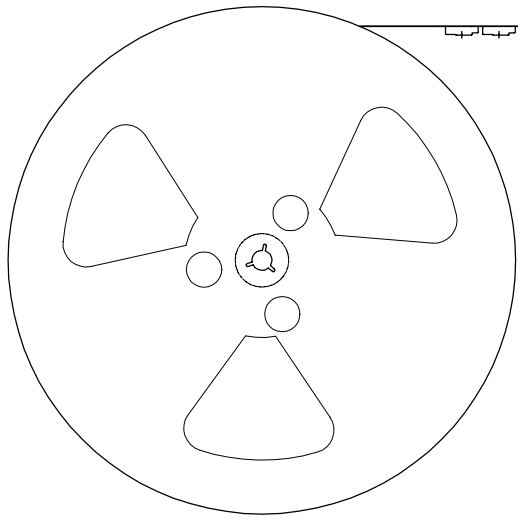
UNLESS OTHERWISE SPECIFIED DIMENSIONS ARE IN INCHES		APPROVALS	DATE	Amphenol Canada Corp.	
DESIGNED	J.SI	2003/01/06	TITLE	VHDCI STRADDLE MOUNT RECEPTACLE	
CHECKED					
MATERIAL AND FINISH	SEE NOTES				
REV.	EAR 11913			SIZE B	DWG NO. P-H11-RDA-10X-X-XX
DATE/ISSUE NO.	03554			SCALE 2 = 1	PROJECT RDA SHEET 1 OF 2

8 7 6 5 4 3 2 1

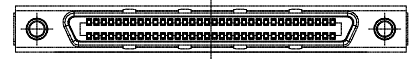
REVISIONS			
REV.	DESCRIPTION	DATE	APPROVED
A	DWG No. CHANGED FROM H11-RDA-101-X		
B	HOLES ADDED ON THE GROUND CLIPS	2003/01/15	J.S.
C	DIM .197 [5.00] ADDED ON ZONE B5	2003/02/27	A.K.
D	.197 CHG TO .187 ON ZONE B5, DIM 'C' ADDED	2003/03/21	A.K.
E	ADD PLUG, TAPE & REEL OPTION; ADD P/N SYSTEM; DWG No. CHANGED FROM H11-RDA-100-X	2003/07/04	A.K.
F	CHANGE CLIP GAP DIM. & TOLERANCE.	NOV.20/03	A.K.
G	CHANGE DWG NO. & ADD MOUNTING OPTION	JAN.6/04	A.K.



SEE DETAIL 'A'



PLUG COVER TO BE REMOVED AFTER CONNECTOR SOLDERED INTO THE PCB



- PACKAGING NOTES:
- REEL DETAILS:
    - O.D.: 330.00 [12.992].
    - THICKNESS: 56.8 [2.236].
    - CONNECTORS PER REEL: 496.
  - TAPE & REEL PACKAGING IS IN COMPLIANCE WITH EIA 481.

DO NOT SCALE DRAWING  
THIS DOCUMENT CONTAINS PROPRIETARY INFORMATION AND SUCH INFORMATION MAY NOT BE DISCLOSED TO OTHERS FOR ANY PURPOSE  
OR USED FOR MANUFACTURING PURPOSES WITHOUT PERMISSION FROM AMPHENOL CANADA CORP.

UNLESS OTHERWISE SPECIFIED DIMENSIONS ARE IN INCHES	APPROVALS	DATE	Amphenol Canada Corp.	
	DRAWN J.S.I.	2003/01/06	TITLE	
MATERIAL AND FINISH SEE NOTES	DESIGNED		VHDCI STRADDLE MOUNT RECEPTACLE	
	CHECKED			
REF. EAR 11913	OR APPR		SIZE B	DWG. NO. P-H11-RDA-10X-X-XX
DATE IDENT. NO. 03554	OR APPR		SCALE N.T.S.	PROJECT RDA
				SHEET 2 OF 2

8 7 6 5 4 3 2 1