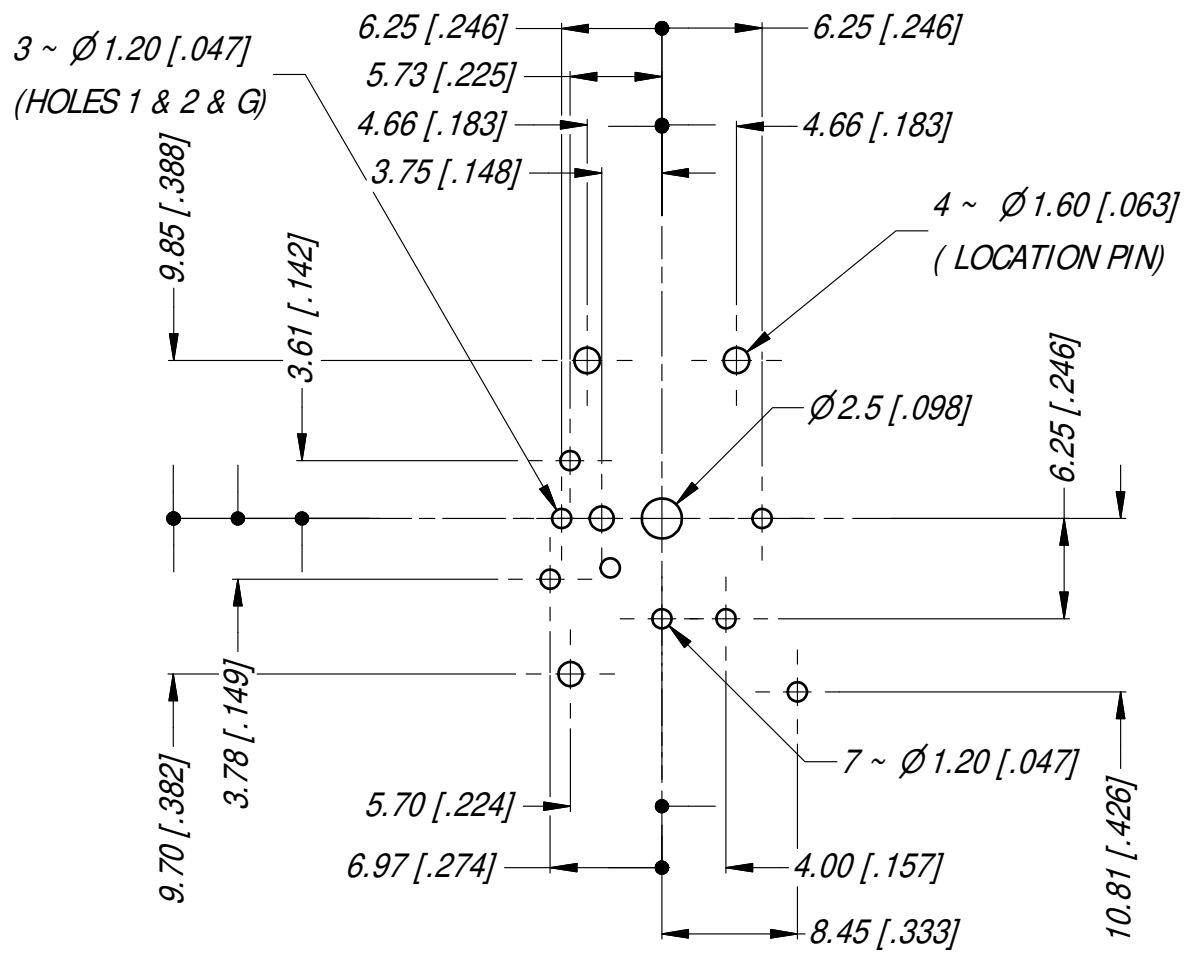
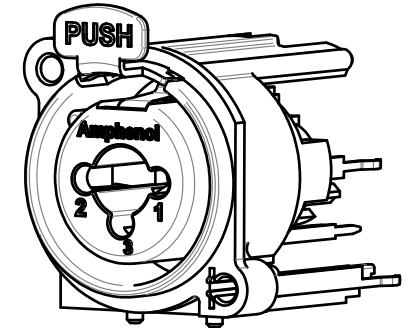
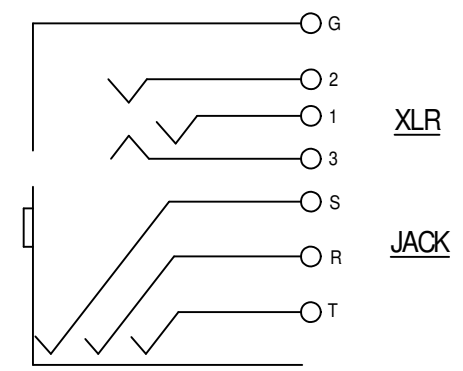


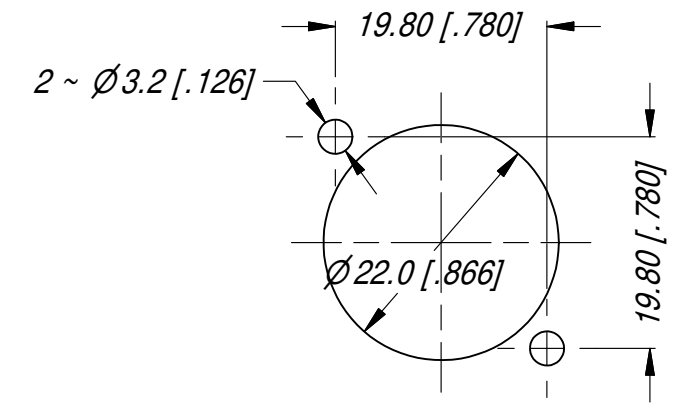
MIN MOUNTING PITCH



PCB LAYOUT SCALE 3:2



CONTACT SCHEMATIC DIAGRAM



PANEL CUT OUT

UNLESS OTHERWISE SPECIFIED TOLERANCE TO BE		THIS DOCUMENT IS THE PROPERTY OF AMPHENOL AUSTRALIA PTY. LTD. NO PART THEREOF MAY BE REPRODUCED AND USED WITHOUT THE PRIOR WRITTEN CONSENT OF THE OWNER.				Amphenol Amphenol Australia Pty.Ltd, 22 Industry Blvd,Carrum Downs VIC 3201	
LINER	ANGULAR	MATERIAL:	DRN: T.N	DATE: 17/04/12	TITLE: C TYPE LOW PROFILE 6 CONTACTS VERTICAL CUSTOMER DWG	PART No: ACJC6AV	REV 2
X ± 0.5	X ± 1	FINISH:	CKD: P.M	DATE: 18/04/12	DRAWING No. 55010814-000	SHEET 6 / 16	
X.X ± 0.1	X.X ± 30'		APPD: P.M	DATE: 18/04/12			
X.XX ± 0.05	X.XX ± 15'	DO NOT SCALE	SCALE: 1:1	SIZE: A4			
BREAK ALL SHARP EDGES AND REMOVE ALL BURRS		DIMENSIONS IN MILLIMETRES		THIRD ANGLE PROJECTION			