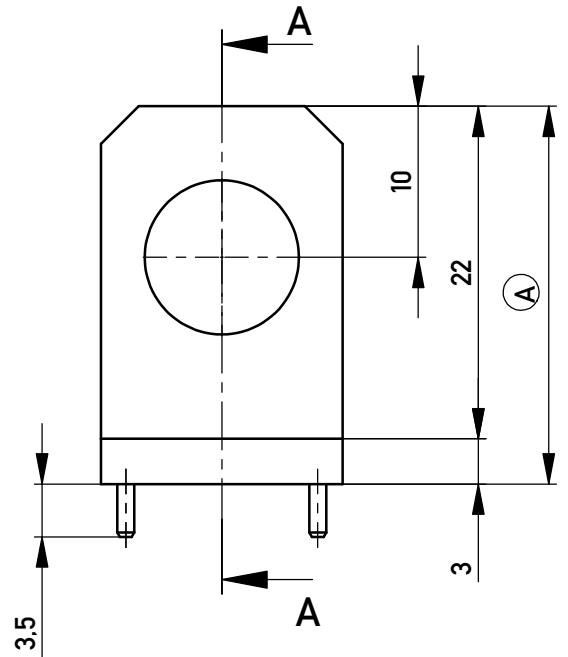
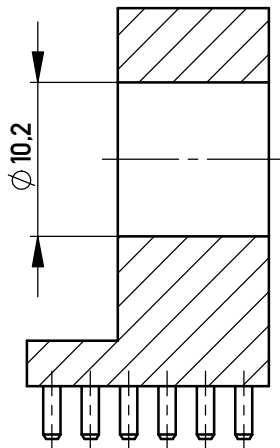
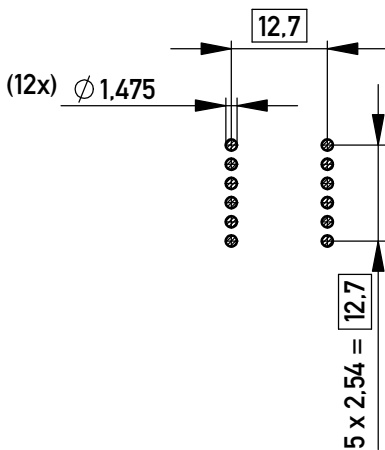


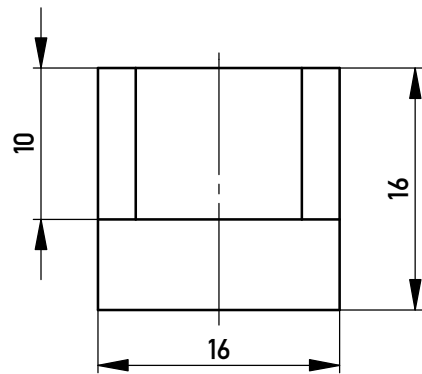
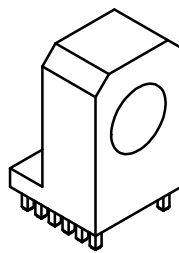
Schnitt A-A  
cross section A-A



Layout - Vorschlag  
PCB - Layout proposal  
M / scale 1:1



M / scale 1:1



2-6µm Sn matt über 2-4µm Cu  
2-6µm sn matt over 2-4µm cu

Ⓐ Oberfläche / plating

Information:	Tolerances	<p>All Dimensions in mm</p>	Scale	2:1	
	<p>All rights reserved. Only for Information. To ensure that this is the latest version of this drawing, please contact one of the ERNI companies before using.</p>		<p>Subject to modification without prior notice. Drawing will not be updated.</p>	Material:	CuZn39Pb3
<p>www.ERNI.com</p>		Designation		<p><b>PowerElement angled</b> <i>two row population d 10,2</i></p>	
	<p>b</p>	<p>21.02.2018</p>	<p><b>225722</b></p>		<p>I</p>
Index	Date	Class		POWELM	A4

Copyright by ERNI Production GmbH & Co. KG  
Proprietary notice pursuant to ISO 16016 to be observed.