

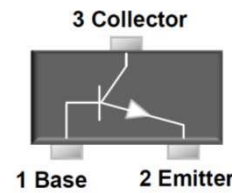
Small Signal Product

200mW, NPN Small Signal Transistor
FEATURES

- Epitaxial planar die construction
- Surface mount device type
- Moisture sensitivity level 1
- Matte Tin(Sn) lead finish with Nickel(Ni) under plate
- Pb free and RoHS compliant
- Compliant to RoHS Directive 2011/65/EU and in accordance to WEEE 2002/96/EC
- Halogen-free according to IEC 61249-2-21


SOT-23
MECHANICAL DATA

- Case: SOT- 23 small outline plastic package
- Terminal: Matte tin plated, lead free, solderable per MIL-STD-202, Method 208 guaranteed
- High temperature soldering guaranteed: 260°C/10s
- Weight: 8mg (approximately)



MAXIMUM RATINGS AND ELECTRICAL CHARACTERISTICS (T _A =25°C unless otherwise noted)				
PARAMETER		SYMBOL	VALUE	UNIT
Power dissipation		P _D	200	mW
Collector-Base Voltage	BC846	V _{CB0}	80	V
	BC847		50	
	BC848		30	
Collector-Emitter Voltage	BC846	V _{CEO}	65	V
	BC847		45	
	BC848		30	
Emitter-Base Voltage	BC846	V _{EBO}	6	V
	BC847		6	
	BC848		5	
Collector Current		I _C	0.1	A
Junction and Storage Temperature Range		T _J , T _{STG}	-55 to +150	°C

Notes: 1. Valid provided that electrodes are kept at ambient temperature

PARAMETER		SYMBOL	MIN	MAX	UNIT	
Collector-Base Breakdown Voltage	BC846	V _{(BR)CBO}	80	-	V	
	BC847		I _C = 10μA I _E = 0			50
	BC848		30			
Collector-Emitter Breakdown Voltage	BC846	V _{(BR)CEO}	65	-	V	
	BC847		I _C = 10mA I _B = 0			45
	BC848		30			
Emitter-Base Breakdown Voltage	BC846	V _{(BR)EBO}	6	-	V	
	BC847		I _E = 1μA I _C = 0			6
	BC848		5			
Collector Cut-off Current		V _{CB} = 30V I _E = 0	I _{CB0}	-	100	nA
Emitter Cut-off Current		V _{EB} = 5 V I _C =0	I _{EBO}	-	0.1	μA
DC Current Gain	BC846A, BC847A, BC848A	h _{FE}	110	220		
	BC846B, BC847B, BC848B		V _{CE} = 5V I _C = 2mA	200		450
	BC847C, BC848C		420	800		
Collector-Emitter Saturation Voltage		I _C = 100mA I _B = 5mA	V _{CE(sat)}	-	0.5	V
Base-Emitter Saturation Voltage		I _C = 100mA I _B = 5mA	V _{BE(sat)}	-	1.1	V
Transition frequency		V _{CE} = 5V I _C = 10 mA f= 100MHz	f _T	100	-	MHz

Small Signal Product

RATINGS AND CHARACTERISTICS CURVES

($T_A=25^\circ\text{C}$ unless otherwise noted)

Fig.1 Static Characteristic

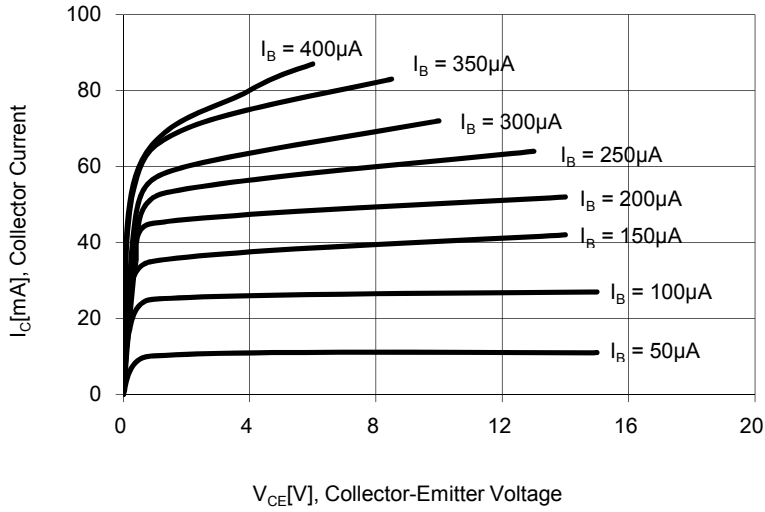


Fig.2 DC Current Gain

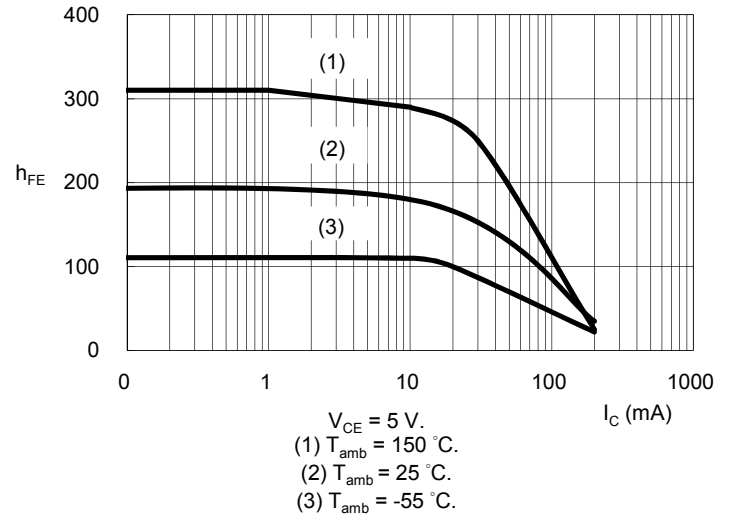


Fig.3 Base-Emitter Saturation Voltage
Collector-Emitter Saturation Voltage

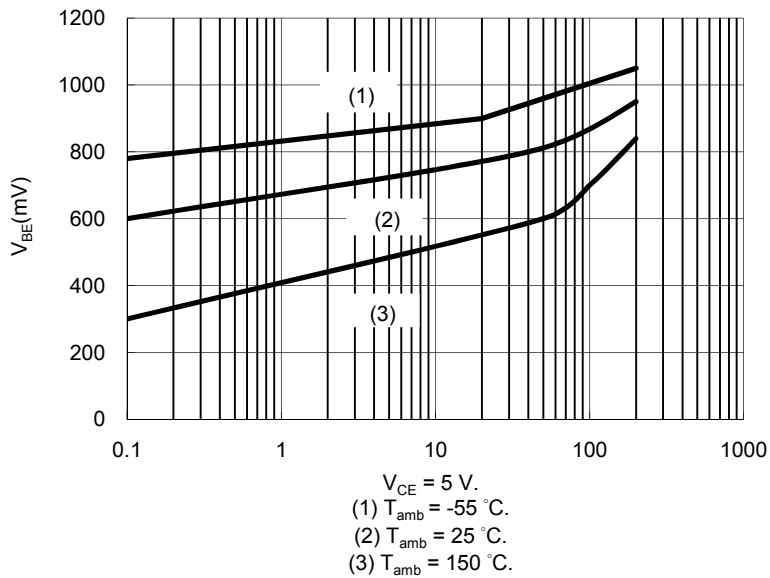


Fig. 4 Base-Emitter On Voltage

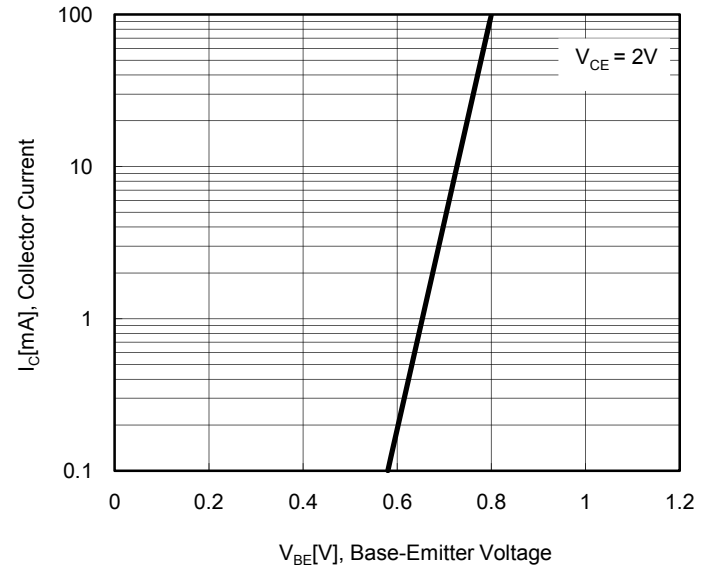


Fig.5 Collector Output Capacitance

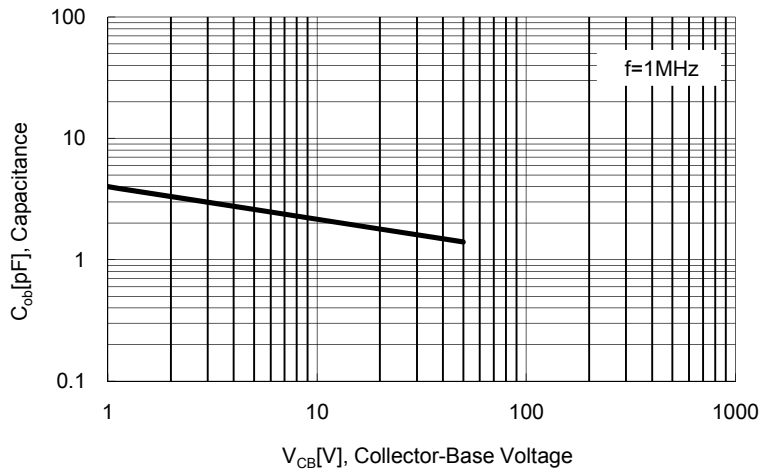
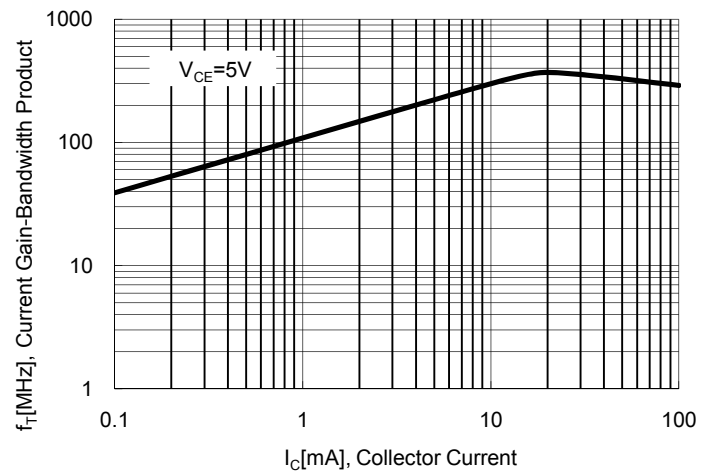


Fig. 6 Current Gain Bandwidth Product



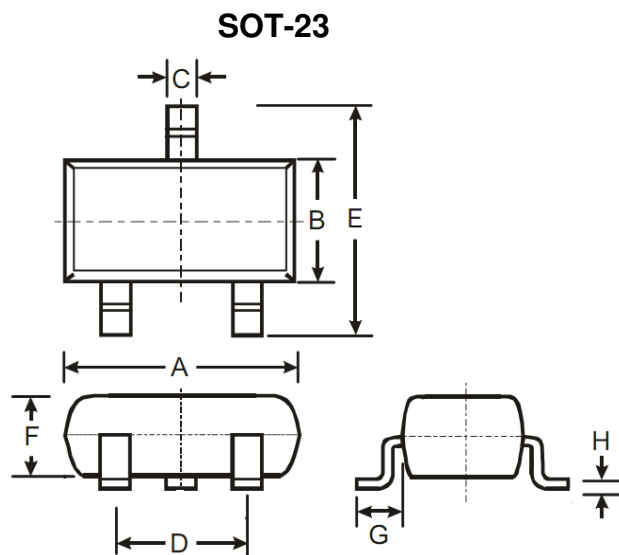
Small Signal Product

ORDERING INFORMATION				
PART NO.	PACKING CODE	PACKING CODE SUFFIX	PACKAGE	PACKING
BC84xx (Note 1)	RF	G	SOT-23	3K / 7" Reel
	R5			10K / 13" Reel

Note 1: "xx" is device code from "BC846A" ~ "BC848C", detail could follow the previous page

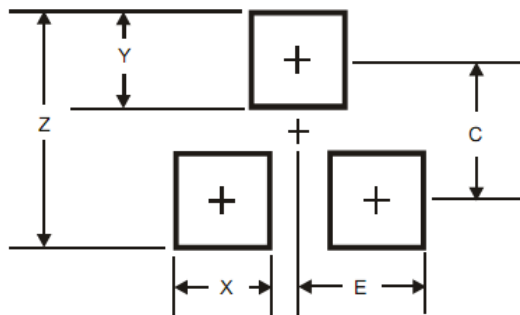
EXAMPLE				
EXAMPLE P/N	PART NO.	PACKING CODE	PACKING CODE SUFFIX	DESCRIPTION
BC846A RFG	BC846A	RF	G	Green compound

DIMENSIONS



DIM.	Unit (mm)		Unit (inch)	
	Min	Max	Min	Max
A	2.70	3.10	0.106	0.122
B	1.10	1.50	0.043	0.059
C	0.30	0.51	0.012	0.020
D	1.78	2.04	0.070	0.080
E	2.10	2.64	0.083	0.104
F	0.89	1.30	0.035	0.051
G	0.55 REF		0.022 REF	
H	0.1 REF		0.004 REF	

SUGGEST PAD LAYOUT



DIM.	Unit (mm)	Unit (inch)
	Typ.	Typ.
Z	2.90	0.114
X	0.80	0.031
Y	0.90	0.035
C	2.00	0.079
E	1.35	0.053

MARKING CODE

PART NO.	MARKING
BC846A	1A
BC846B	1B
BC847A	1E
BC847B	1F
BC847C	1G
BC848A	1J
BC848B	1K
BC848C	1L

Small Signal Product

Notice

Specifications of the products displayed herein are subject to change without notice. TSC or anyone on its behalf, assumes no responsibility or liability for any errors or inaccuracies.

Information contained herein is intended to provide a product description only. No license, express or implied, to any intellectual property rights is granted by this document. Except as provided in TSC's terms and conditions of sale for such products, TSC assumes no liability whatsoever, and disclaims any express or implied warranty, relating to sale and/or use of TSC products including liability or warranties relating to fitness for a particular purpose, merchantability, or infringement of any patent, copyright, or other intellectual property right.

The products shown herein are not designed for use in medical, life-saving, or life-sustaining applications. Customers using or selling these products for use in such applications do so at their own risk and agree to fully indemnify TSC for any damages resulting from such improper use or sale.