

## Flush-type connector - SACC-CIP-M12FS-4P SMD SH T - 1411949

Please be informed that the data shown in this PDF Document is generated from our Online Catalog. Please find the complete data in the user's documentation. Our General Terms of Use for Downloads are valid (<http://phoenixcontact.com/download>)



Flush-type connector, 4-position, SocketLink:straightLink:M12, A - standard, PCB mounting, SMD



### Key Commercial Data

Packing unit	1 pc
Minimum order quantity	60 pc
Custom tariff number	85366990
Country of origin	Germany

### Technical data

#### Ambient conditions

Ambient temperature (operation)	-25 °C ... 105 °C (Plug / socket)
	-40 °C ... 105 °C (without mechanical actuation)
Degree of protection	IP67 (correctly plugged in and locked)
	IP65 (not plugged in, by means of additional O-ring seal with device)

#### General

Note	The electrical and mechanical data specified assume that the connector pair is correctly locked and mounted. If the connector is unlocked and if there is a danger of contamination, the connector must be sealed using a protective cap > IP54. Influences arising from litz wires, cables or PCB assembly must also be taken into consideration.
Rated current at 40°C	4 A
Rated voltage	250 V
Rated surge voltage	2.5 kV
Number of positions	4
Contact resistance	≤ 3 mΩ
Insulation resistance	≥ 100 MΩ
Coding	A - standard

# Flush-type connector - SACC-CIP-M12FS-4P SMD SH T - 1411949

## Technical data

### General

Standards/regulations	M12 connector IEC 61076-2-101 In line with
Surge voltage category	II
Pollution degree	3
Connection method	SMD
Insertion/withdrawal cycles	> 100
Mounting type	PCB mounting
Type of packaging	Tray

### Material

Inflammability class according to UL 94	V0
Contact material	CuZn
Contact surface material	Au
Contact carrier material	PA
Sealing material	FKM

## Classifications

### eCl@ss

eCl@ss 5.1	27143423
eCl@ss 6.0	27143423

### ETIM

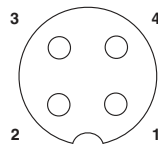
ETIM 5.0	EC002061
----------	----------

## Drawings

### Dimensional drawing

SMD  
tray  
packaging

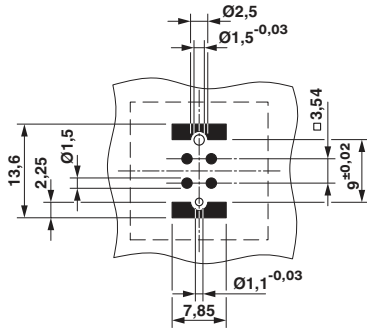
### Schematic diagram



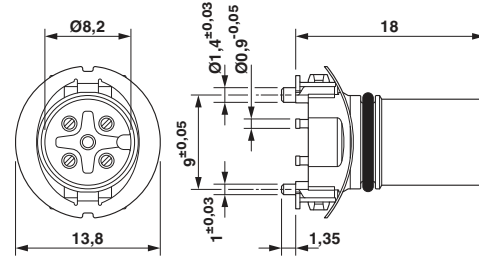
Pin assignment M12 socket, 4-pos., A-coded, view female side

# Flush-type connector - SACC-CIP-M12FS-4P SMD SH T - 1411949

Drilling diagram



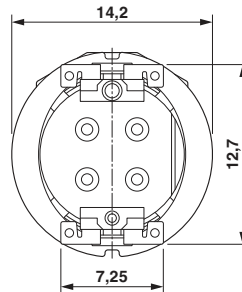
Dimensional drawing



M12 female connector contact carrier

Soldering pad geometry

Dimensional drawing



View of solder side