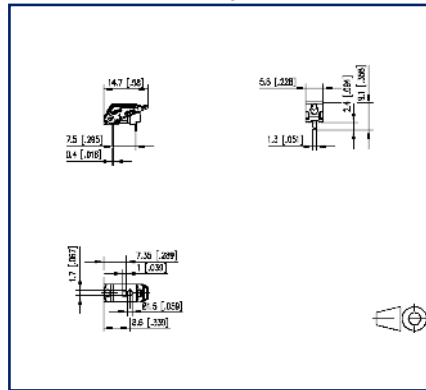


**Data sheet**  
**SR99S01VBNN02G7 yellow**

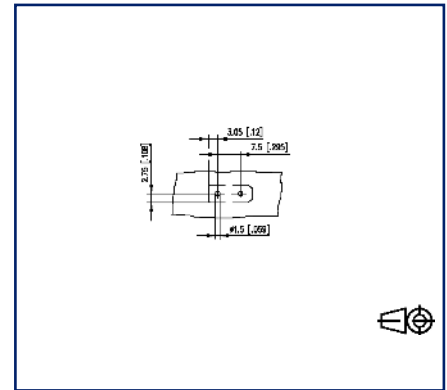
**Illustrations**



Dimensional drawing



Drill pattern





See enlarged drawings at the end of document

**Product specification**

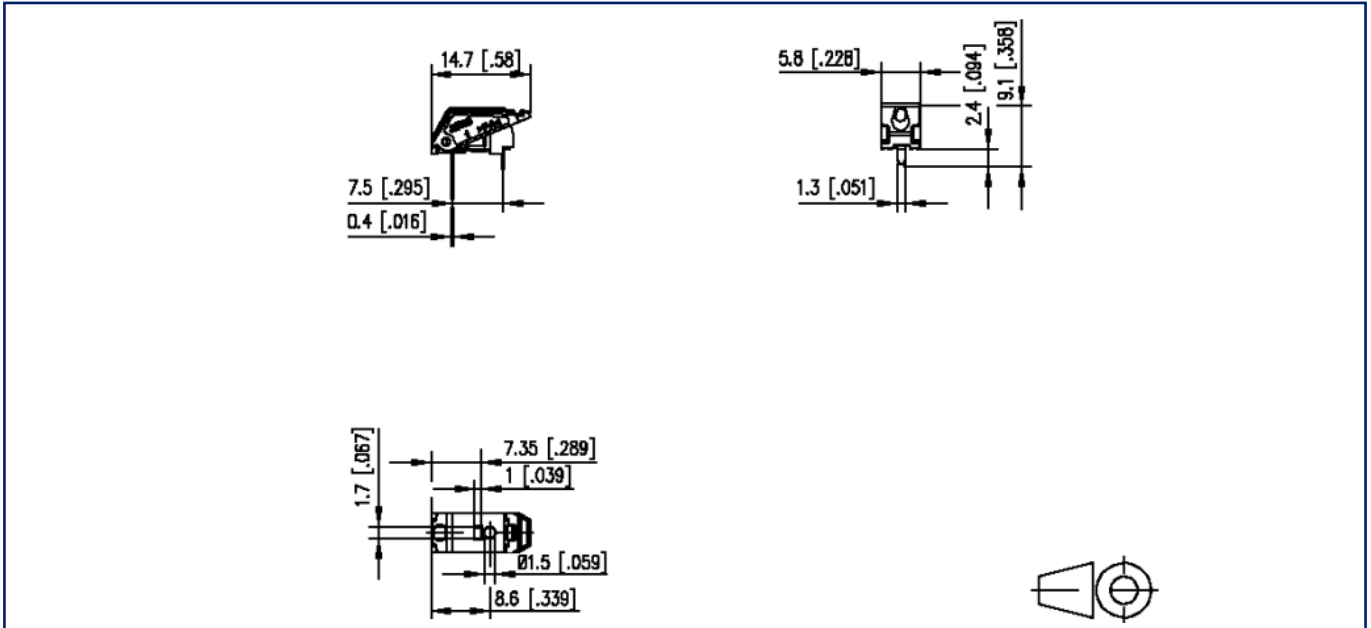
- ethernet-capable spring clamp terminal block, THR solderable, double solder pins
- direction of connection 90°
- fittable without loss of poles
- color yellow
- Tape & Reel packaging possible
- finger push-button
- test point and wire connection indicator
- Variants: black, creme white, yellow, green, red, blue, orange, gray, brown, white

## Technical Data

General Data	
Solder pin length	2.4 mm
pole size	1
Insulating material class	CTI 600
Protection category	IP20
Min. insul. strip length	7 mm
Rated current	9 A
Terminal data	
rat.wiring solid AWGmax	0.2 mm <sup>2</sup> - 1.5 mm <sup>2</sup> / AWG 24 - AWG 16
rat.wiring strand.AWGmax	0.2 mm <sup>2</sup> - 1.5 mm <sup>2</sup> / AWG 24 - AWG 16
Approvals	
 V / A / AWG	300 / 9 / 24 - 16
approval UL - File No.	E121004
 0.75 mm <sup>2</sup>	9 A / T60
Material	
insulating material	PPA
flammability class	V0
spring material	Spring steel
contact material	CuSn
Contact surface	Sn
Glow-Wire Flammability GWFI	850 °C acc. to IEC 60695-2-12
Glow-Wire Flammability GWIT	775 °C acc. to IEC 60695-2-13
Climatic Data	
upper limit temperature	105 °C
lower limit temperature	-40 °C
general	
Tolerance	ISO 2768 -mH
Solderability	reflowable

**Illustrations**

Dimensional drawing



Drill pattern

