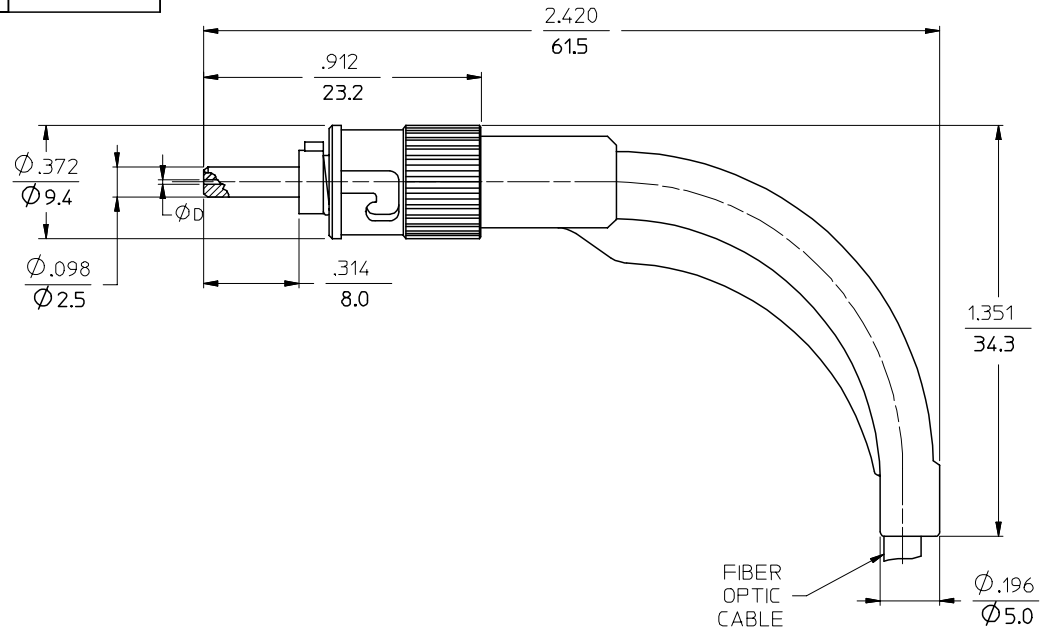


10	9	8	7	6	5	4	3	2	1	
P/N of CONNECTOR	D (In)	MATERIAL of FERRULE	DIAMETER of CABLE	COLOR of BOOT	CABLE TYPE					
106012-0400	127	Zr PLUS	3 mm	BLACK	MULTIMODE					
106012-0410*				RED						
106012-0440				BLACK						
106012-3400	128	Zr		RED		SINGLE MODE				
106012-3440				BLACK						
106012-5400				RED						
106012-5440	126		BLACK							
106012-7400			RED							
106012-7440	127		BLACK							
106012-7440			RED							



NOTE:

\*1. P/N 106012-0410 IS BULK PACKED IN QUANTITIES OF 100 PCS.

ENTER DESCRIPTION EC NO: MF2006-0490 DRAWN: RPACIFICI CHKD: 2006/02/09 APPR: IGUMIN 2006/02/09	DESCRIPTION REV	QUALITY SYMBOLS	GENERAL TOLERANCES (UNLESS SPECIFIED)	DIMENSION STYLE	SCALE	DESIGN UNITS	THIRD ANGLE PROJECTION															
		$\nabla=0$ $\nabla=0$	<table border="1"> <thead> <tr> <th></th> <th>mm</th> <th>INCH</th> </tr> </thead> <tbody> <tr> <td>4 PLACES</td> <td>± ---</td> <td>± ---</td> </tr> <tr> <td>3 PLACES</td> <td>± ---</td> <td>± ---</td> </tr> <tr> <td>2 PLACES</td> <td>± ---</td> <td>± ---</td> </tr> <tr> <td>1 PLACE</td> <td>± ---</td> <td>± ---</td> </tr> </tbody> </table>		mm	INCH	4 PLACES	± ---	± ---	3 PLACES	± ---	± ---	2 PLACES	± ---	± ---	1 PLACE	± ---	± ---	IN/MM	4:1	INCH	
			mm	INCH																		
		4 PLACES	± ---	± ---																		
3 PLACES	± ---	± ---																				
2 PLACES	± ---	± ---																				
1 PLACE	± ---	± ---																				
DRAFT WHERE APPLICABLE MUST REMAIN WITHIN DIMENSIONS	DRAWN BY: RPACIFICI DATE: 2006/01/24 CHECKED BY: _____ DATE: _____ APPROVED BY: _____ DATE: _____	TITLE	ST CONNECTOR																			
		ANGULAR ±1/2°	MATERIAL NO.	DOCUMENT NO.	SHEET NO.																	
			SEE TABLE	SD-106012-XXX0	1 OF 1																	
			SIZE B	THIS DRAWING CONTAINS INFORMATION THAT IS PROPRIETARY TO MOLEX INCORPORATED AND SHOULD NOT BE USED WITHOUT WRITTEN PERMISSION																		