

CUC-I-D1ZNI-S/R4GC8 - RJ45 coupling



1041760

<https://www.phoenixcontact.com/us/products/1041760>

Please be informed that the data shown in this PDF document is generated from our online catalog. Please find the complete data in the user documentation. Our general terms of use for downloads are valid.



RJ45 coupling, degree of protection: IP20, number of positions: 8, 10 Gbps, CAT6_A, material: Metal, connection method: Coupling, cable outlet: straight, Adapter-free design, Ethernet

Your advantages

- Compact design

Commercial data

Item number	1041760
Packing unit	1 pc
Minimum order quantity	1 pc
Sales key	AB10
Product key	ABNACB
Catalog page	Page 375 (C-2-2019)
GTIN	4055626599915
Weight per piece (including packing)	14.34 g
Weight per piece (excluding packing)	14.3 g
Customs tariff number	85366990
Country of origin	PL

CUC-I-D1ZNI-S/R4GC8 - RJ45 coupling



1041760

<https://www.phoenixcontact.com/us/products/1041760>

Technical data

Product properties

Type	RJ45
Product type	Female insert
Sensor type	Ethernet
Number of positions	8
Connection profile	RJ45
Number of slots	2
Cable outlet	straight

Insulation characteristics

Overvoltage category	III
Degree of pollution	2

Electrical properties

Rated voltage (III/3)	72 V (DC)
Rated surge voltage	0.8 kV
Rated current	1 A (at 60 °C)
Max. operating voltage U_{max}	72 V DC
Frequency range	500 MHz
Insulation resistance	$\geq 500 \text{ M}\Omega$
Nominal current I_N	0.5 A
Contact resistance	200 m Ω (Trunk in to trunk out)
Transmission characteristics (category)	CAT6 _A

Connection data

Connection technology

Connection method	Coupling
-------------------	----------

Material specifications

Flammability rating according to UL 94	V0
Housing surface material	metal-plated
Contact material	Spring steel
Contact surface material	Gold
Housing material	Metal

Mechanical properties

Mechanical data

Insertion/withdrawal cycles	≥ 750 (IEC 60603-7)
-----------------------------	--------------------------

Environmental and real-life conditions

Ambient conditions

CUC-I-D1ZNI-S/R4GC8 - RJ45 coupling



1041760

<https://www.phoenixcontact.com/us/products/1041760>

Degree of protection	IP20
	IP20
Ambient temperature (operation)	-25 °C ... 70 °C
Ambient temperature (storage/transport)	60 °C

Standards and regulations

Standards/specifications	IEC 60603-7
	DIN EN 50173-1
	ISO/IEC 11801-Am.1
	IEC 60068-2

Mounting

Mounting type	Snap in
Connection method	Coupling

CUC-I-D1ZNI-S/R4GC8 - RJ45 coupling

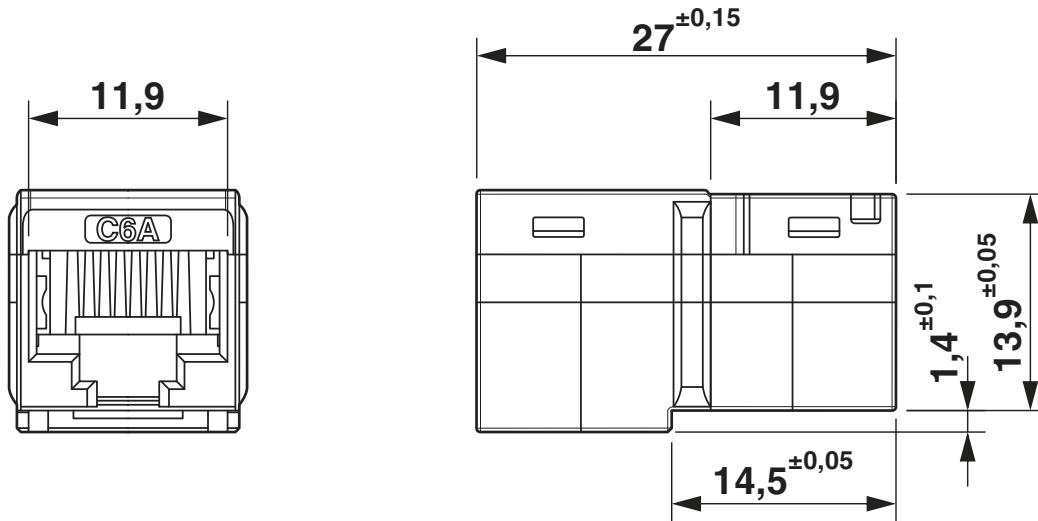


1041760

<https://www.phoenixcontact.com/us/products/1041760>

Drawings

Dimensional drawing



CUC-I-D1ZNI-S/R4GC8 - RJ45 coupling



1041760

<https://www.phoenixcontact.com/us/products/1041760>

Approvals

To download certificates, visit the product detail page: <https://www.phoenixcontact.com/us/products/1041760>



cUL Recognized
Approval ID: FILE E 335024



UL Recognized
Approval ID: FILE E 335024



EAC
Approval ID: B.01687

CUC-I-D1ZNI-S/R4GC8 - RJ45 coupling



1041760

<https://www.phoenixcontact.com/us/products/1041760>

Classifications

ECLASS

ECLASS-11.0	19179090
ECLASS-12.0	19179090
ECLASS-13.0	19179090

ETIM

ETIM 8.0	EC002608
----------	----------

UNSPSC

UNSPSC 21.0	43222600
-------------	----------

CUC-I-D1ZNI-S/R4GC8 - RJ45 coupling



1041760

<https://www.phoenixcontact.com/us/products/1041760>

Environmental product compliance

China RoHS	Environmentally friendly use period: unlimited = EFUP-e
	No hazardous substances above threshold values

CUC-I-D1ZNI-S/R4GC8 - RJ45 coupling



1041760

<https://www.phoenixcontact.com/us/products/1041760>

Accessories

NBC-PP-G1PGY - DIN rail adapter

1041740

<https://www.phoenixcontact.com/us/products/1041740>



DIN rail adapter, design: Headers with shielding, degree of protection: IP20, material: PC-GF10, connection method: Quick connection, without assembled modules

CUC-PP-FR19:1U-I-EMPTY:24 - Marshalling panel

1422978

<https://www.phoenixcontact.com/us/products/1422978>



Patch bay, 19" mounting, IP20, with 24 slots selectively for RJ45 cable connection modules, RJ45 coupling modules, LC duplex, SC simplex and MPO, medium gray

CUC-I-D1ZNI-S/R4GC8 - RJ45 coupling

1041760

<https://www.phoenixcontact.com/us/products/1041760>



CUC-PP-FR19:1U-I-EMPTY:24 BK - Marshalling panel

1422979

<https://www.phoenixcontact.com/us/products/1422979>

Marshalling panel, design: RJ45, degree of protection: IP20, material: PC-GF, connection method: Quick connection, housing size: 1, color: black



VS-08-RJ45-10G/Q - RJ45 connector

1419001

<https://www.phoenixcontact.com/us/products/1419001>



RJ45 connector, design: RJ45, degree of protection: IP20, number of positions: 8, 10 Gbps, CAT6_A, material: Plastic, connection method: Insulation displacement connection, connection cross section: AWG 26- 24, cable outlet: straight, color: black, Ethernet

Phoenix Contact 2023 © - all rights reserved
<https://www.phoenixcontact.com>

Phoenix Contact USA
586 Fulling Mill Road
Middletown, PA 17057, United States
(+717) 944-1300
info@phoenixcon.com