

# PT-IQ-4X1-24DC-P - Surge protection plug



2800813

<https://www.phoenixcontact.com/us/products/2800813>

Please be informed that the data shown in this PDF document is generated from our online catalog. Please find the complete data in the user documentation. Our general terms of use for downloads are valid.



Surge protection plug with integrated multi-stage status indicator on the module for four signal wires with common reference potential. 24 V DC nominal voltage.

## Your advantages

- Predictive monitoring with 3-stage LED display
- Integration of the status message into the system controller via group remote signaling
- The signal is not influenced during maintenance work, thanks to the impedance-neutral insertion and removal of protective plugs
- Maximum ease of maintenance, thanks to the 2-piece design
- Maximum protection for MCR applications with high discharge capacity

## Commercial data

Item number	2800813
Packing unit	1 pc
Minimum order quantity	1 pc
Sales key	CL22
Product key	CL2151
Catalog page	Page 77 (C-6-2013)
GTIN	4046356659192
Weight per piece (including packing)	56.3 g
Weight per piece (excluding packing)	51.5 g
Customs tariff number	85363010
Country of origin	DE

# PT-IQ-4X1-24DC-P - Surge protection plug



2800813

<https://www.phoenixcontact.com/us/products/2800813>

## Technical data

### Notes

General	This product is a replacement plug.
General	
Note	Remote signaling as well as the power supply are established by inserting the connector into the base element.

### Product properties

Type	Male
Product type	Replacement plug
Product family	PLUGTRAB IQ
Surge protection fault message	Optical, multi-stage

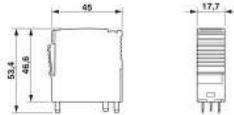
### Electrical properties

Nominal voltage $U_N$	24 V DC
-----------------------	---------

### Connection data

Connection method	pluggable
-------------------	-----------

### Dimensions

Dimensional drawing	
Width	17.7 mm
Height	45 mm
Depth	46.6 mm
Horizontal pitch	1 Div.
Complete module width	17.7 mm
Complete module height	91.1 mm
Complete module depth	77.5 mm

### Material specifications

Flammability rating according to UL 94	V0
Housing material	PA 6.6

### Protective circuit

Direction of action	Line-Line & Line-Signal Ground/Shield & optional Signal Ground/Shield-Earth Ground
Maximum continuous voltage $U_C$	30 V DC 21 V AC
Rated current	700 mA (45 °C)

# PT-IQ-4X1-24DC-P - Surge protection plug



2800813

<https://www.phoenixcontact.com/us/products/2800813>

Total discharge current $I_{\text{total}}$ (8/20) $\mu\text{s}$	20 kA
Surge protection fault message	Optical, multi-stage

## Environmental and real-life conditions

### Ambient conditions

Degree of protection	IP20
Ambient temperature (operation)	-40 °C ... 70 °C
Ambient temperature (storage/transport)	-40 °C ... 85 °C
Permissible humidity (operation)	5 % ... 95 %

## Standards and regulations

Standards/specifications	EN 61643-21/A1
Note	2009

## Mounting

Mounting type	on base element
---------------	-----------------

# PT-IQ-4X1-24DC-P - Surge protection plug

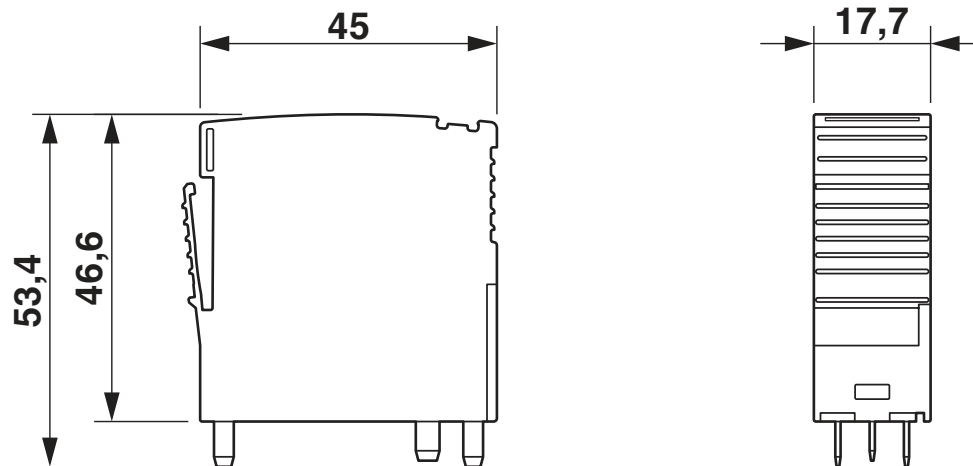
2800813

<https://www.phoenixcontact.com/us/products/2800813>



## Drawings

Dimensional drawing



# PT-IQ-4X1-24DC-P - Surge protection plug



2800813

<https://www.phoenixcontact.com/us/products/2800813>

## Approvals

To download certificates, visit the product detail page: <https://www.phoenixcontact.com/us/products/2800813>



**EAC**

Approval ID: RU C-DE.\*09.B.00169

# PT-IQ-4X1-24DC-P - Surge protection plug



2800813

<https://www.phoenixcontact.com/us/products/2800813>

## Classifications

### ECLASS

ECLASS-11.0	27130807
ECLASS-13.0	27171501

### ETIM

ETIM 8.0	EC000943
----------	----------

### UNSPSC

UNSPSC 21.0	39121600
-------------	----------

# PT-IQ-4X1-24DC-P - Surge protection plug



2800813

<https://www.phoenixcontact.com/us/products/2800813>

## Environmental product compliance

REACH SVHC	Lead 7439-92-1
China RoHS	Environmentally Friendly Use Period = 50 years
	For information on hazardous substances, refer to the manufacturer's declaration available under "Downloads"

# PT-IQ-4X1-24DC-P - Surge protection plug



2800813

<https://www.phoenixcontact.com/us/products/2800813>

## Accessories

### ZBF 5:UNBEDRUCKT - Zack Marker strip, flat

0808642

<https://www.phoenixcontact.com/us/products/0808642>



Zack Marker strip, flat, Strip, white, unlabeled, can be labeled with: PLOTMARK, CMS-P1-PLOTTER, mounting type: snapped, for terminal block width: 5 mm, lettering field size: 5.1 x 5.2 mm, Number of individual labels: 10

---

### ZBF 5/WH-100:UNBEDRUCKT - Zack Marker strip, flat

0808668

<https://www.phoenixcontact.com/us/products/0808668>



Zack Marker strip, flat, Strip, white, unlabeled, can be labeled with: CMS-P1-PLOTTER, PLOTMARK, mounting type: snapped, for terminal block width: 5 mm, lettering field size: 5.15 x 5.15 mm, Number of individual labels: 1000



# PT-IQ-4X1-24DC-P - Surge protection plug

2800813

<https://www.phoenixcontact.com/us/products/2800813>

## ZBF 5,LGS:FORTL.ZAHLEN - Zack Marker strip, flat

0808671

<https://www.phoenixcontact.com/us/products/0808671>



Zack Marker strip, flat, Strip, white, labeled, printed horizontally: consecutive numbers 1 ... 10, 11 ... 20, etc. up to 491 ... 500, mounting type: snapped, for terminal block width: 5 mm, lettering field size: 5.15 x 5.15 mm, Number of individual labels: 10

---

## ZBF 5,LGS:GERADE ZAHLEN - Zack Marker strip, flat

0810821

<https://www.phoenixcontact.com/us/products/0810821>



Zack Marker strip, flat, Strip, white, labeled, printed horizontally: consecutive even numbers 2 ... 20, 22 ... 40, etc. up to 82 ... 100, mounting type: snapped, for terminal block width: 5 mm, lettering field size: 5.15 x 5.15 mm, Number of individual labels: 10

# PT-IQ-4X1-24DC-P - Surge protection plug

2800813

<https://www.phoenixcontact.com/us/products/2800813>

## ZBF 5,LGS:UNGERADE ZAHLEN - Zack Marker strip, flat

0810863

<https://www.phoenixcontact.com/us/products/0810863>



Zack Marker strip, flat, Strip, white, labeled, printed horizontally: Odd numbers 1 - 19, 21 - 39, etc. up to 81 - 99, mounting type: snapped, for terminal block width: 5 mm, lettering field size: 5.15 x 5.15 mm, Number of individual labels: 10

---

## ZBF 5,QR:FORTL.ZAHLEN - Zack Marker strip, flat

0808697

<https://www.phoenixcontact.com/us/products/0808697>



Zack Marker strip, flat, Strip, white, labeled, Printed vertically: consecutive numbers 1 ... 10, 11 ... 20, etc. up to 91 ... 100, mounting type: snapped, for terminal block width: 5 mm, lettering field size: 5.15 x 5.15 mm, Number of individual labels: 10

# PT-IQ-4X1-24DC-P - Surge protection plug



2800813

<https://www.phoenixcontact.com/us/products/2800813>

## ZBN 18:UNBEDRUCKT - Zack marker strip

2809128

<https://www.phoenixcontact.com/us/products/2809128>



Zack marker strip, Strip, white, unlabeled, can be labeled with: CMS-P1-PLOTTER, PLOTMARK, mounting type: snapped, for terminal block width: 18 mm, lettering field size: 18 x 5 mm, Number of individual labels: 5

---

## SSA 3-6 - Shield connection

2839295

<https://www.phoenixcontact.com/us/products/2839295>



Shield fast connection for 3 ... 6 mm cable diameter. Potential connecting cable: 200 mm, 1 mm<sup>2</sup>, color: black

# PT-IQ-4X1-24DC-P - Surge protection plug



2800813

<https://www.phoenixcontact.com/us/products/2800813>

## SSA 5-10 - Shield connection

2839512

<https://www.phoenixcontact.com/us/products/2839512>



Shield fast connection for 5 ... 10 mm cable diameter. Potential connecting cable: 200 mm, 1 mm<sup>2</sup>, color: black

---

## X-PEN 0,35 - Marker pen

0811228

<https://www.phoenixcontact.com/us/products/0811228>



Marker pen without ink cartridge, for manual labeling of markers, labeling extremely wipe-proof, line thickness 0.35 mm

---

Phoenix Contact 2023 © - all rights reserved  
<https://www.phoenixcontact.com>

Phoenix Contact USA  
586 Fulling Mill Road  
Middletown, PA 17057, United States  
(+717) 944-1300  
[info@phoenixcon.com](mailto:info@phoenixcon.com)