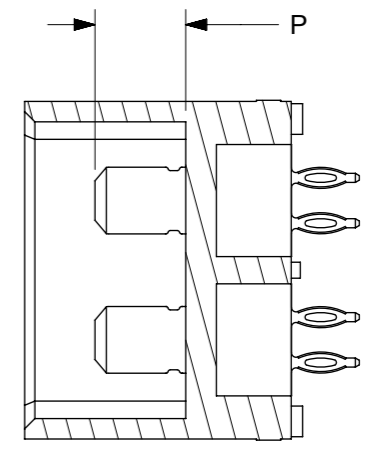
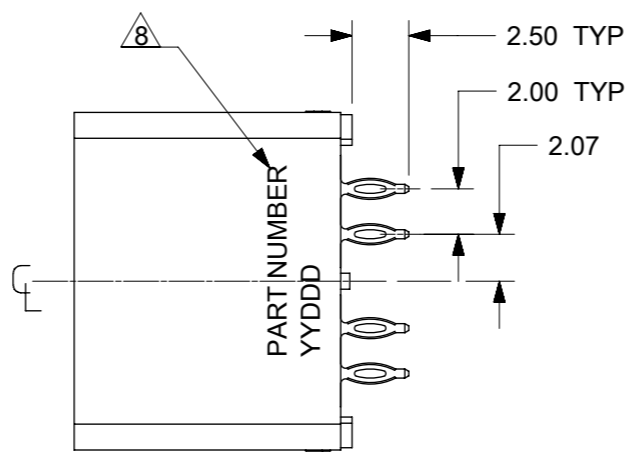
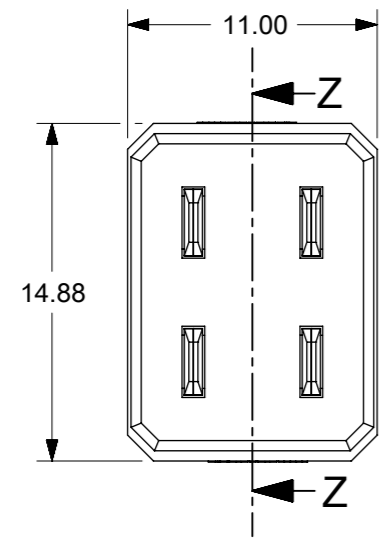
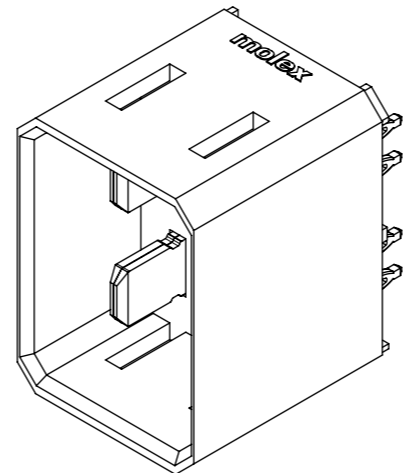
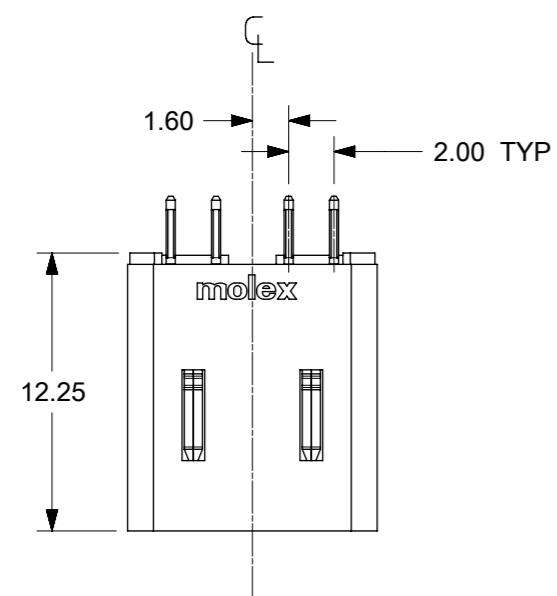


PART NUMBER	P	PLATING OPTIONS	PACKAGING
78399-1011	5.7	TIN PLATING	TRAY
78399-1022	4.0		

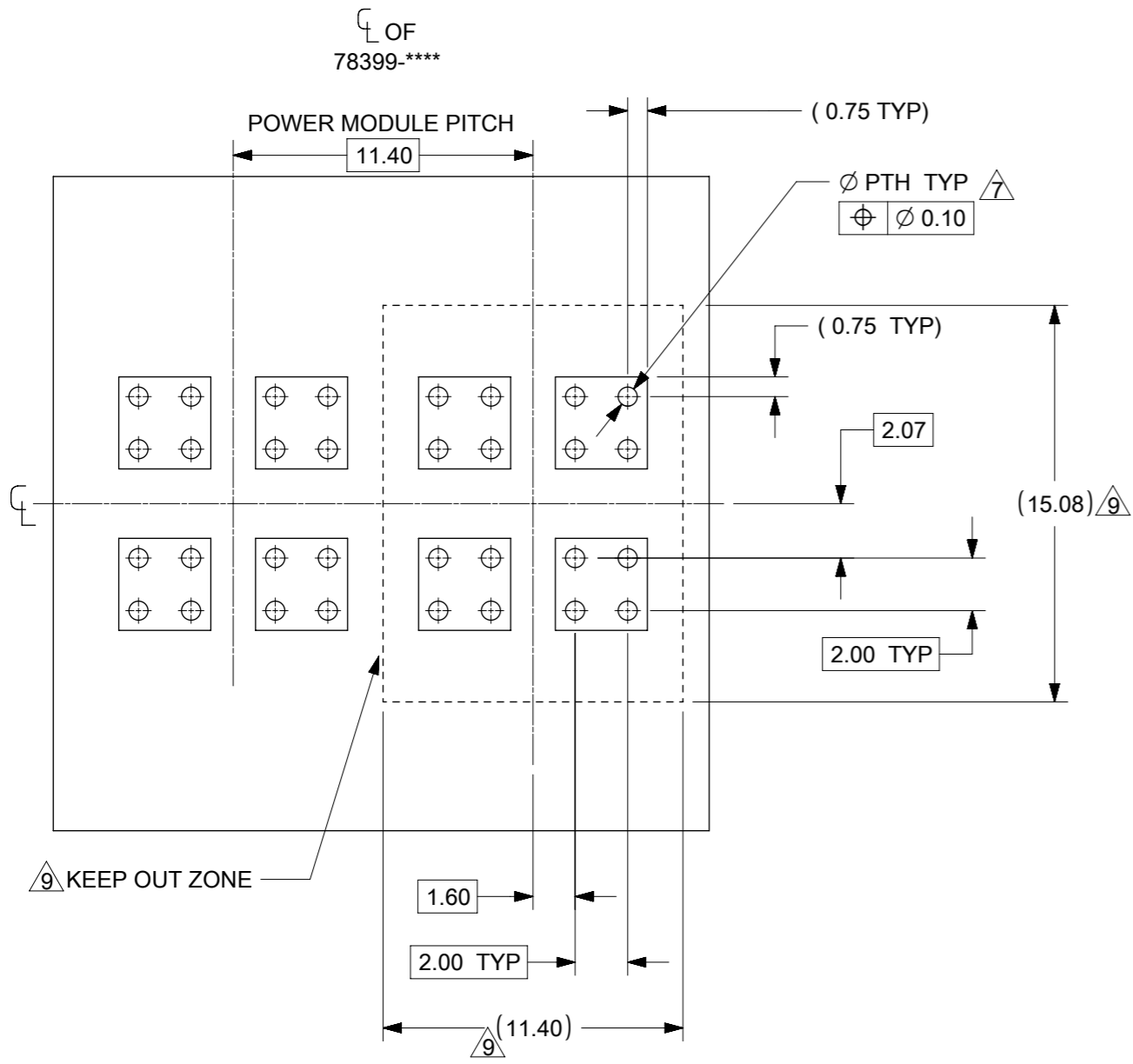
- NOTES:
- MATERIAL:
HOUSING - LCP, GLASS FILLED, UL94-V0, COLOR: BLACK
POWER PIN - COPPER ALLOY
 - FINISH OPTION:
TIN - 0.76µm MINIMUM GOLD AT CONTACT AND
2.54µm MINIMUM TIN AT SOLDER TAIL AREA OVER
1.27µm MINIMUM NICKEL UNDERPLATE OVERALL.
 - PRODUCT SPECIFICATION: PS-78213-001.
 - PACKAGING SPECIFICATION: PK-78399-001.
 - MATES WITH 78212-**** & 78247-****.
 - REFER TO SHEET 2 FOR RECOMMENDED PCB LAYOUT.
 - REFER TO MOLEX PRODUCT SPECIFICATION PS-78213-001 FOR PLATED THROUGH-HOLE SPECIFICATIONS.
 - PART NUMBER AND DATE CODE (YYDDD) APPROXIMATELY SHOWN.
 - KEEP OUT ZONE FROM OTHER COMPONENTS.



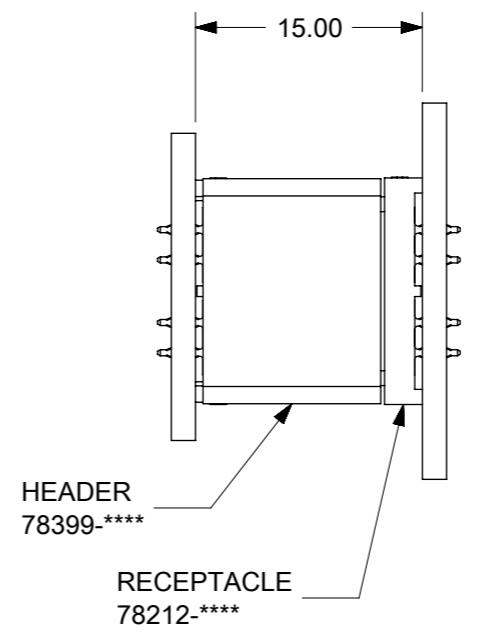
SECTION Z-Z

THIS DRAWING CONTAINS INFORMATION THAT IS PROPRIETARY TO MOLEX ELECTRONIC TECHNOLOGIES, LLC AND SHOULD NOT BE USED WITHOUT WRITTEN PERMISSION									
DIMENSION UNITS		SCALE		CURRENT REV DESC: MIGRATED TO NX				molex	
mm		NTS							
GENERAL TOLERANCES (UNLESS SPECIFIED)				EC NO: 612055				IMPACT POWER, 3 PAIR VERTICAL HEADER PRESS-FIT	
ANGULAR TOL ± 3.0°				DRWN: JKUMARSARAFS 2019/01/17					
4 PLACES ±				CHK'D: ABN 2019/02/14					
3 PLACES ±				APPR: CWANG25 2019/03/05				PRODUCT CUSTOMER DRAWING	
2 PLACES ± 0.25				INITIAL REVISION:					
1 PLACE ±				DRWN: LNG 2008/06/12				DOCUMENT NUMBER	
0 PLACES ±				APPR: SHONG 2008/06/12				SD-78399-001	
DRAFT WHERE APPLICABLE MUST REMAIN WITHIN DIMENSIONS		THIRD ANGLE PROJECTION		DRAWING		SERIES		MATERIAL NUMBER	
				A3-SIZE		78399		SEE TABLE	
				GENERAL MARKET		CUSTOMER		SHEET NUMBER	
						1 OF 2			

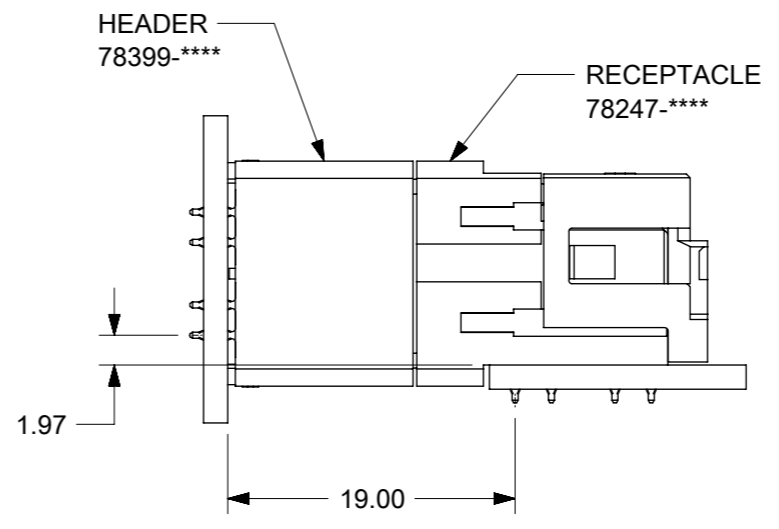
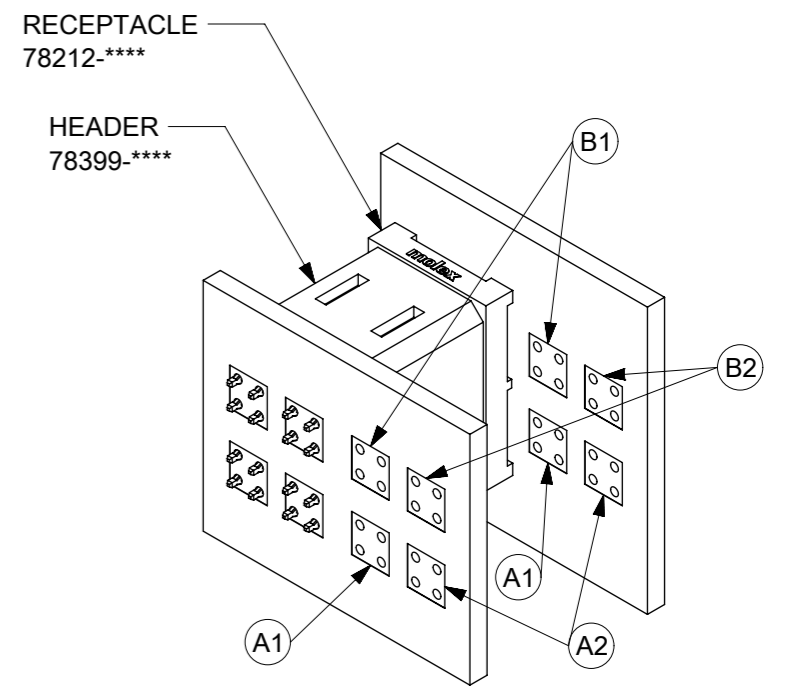
DOCUMENT STATUS	P1	RELEASE DATE	2019/03/05	02:57:20
-----------------	----	--------------	------------	----------



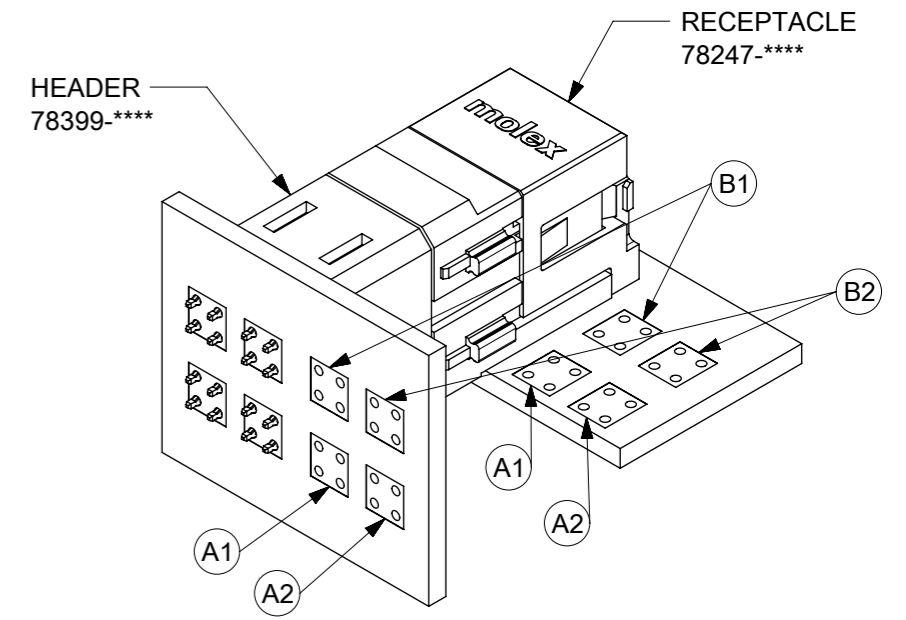
RECOMMENDED PCB LAYOUT
(COMPONENT SIDE SHOWN)
MINIMUM BOARD THICKNESS: 1.60mm



VERTICAL HEADER (78399) & VERTICAL RECEPTACLE (78212)



VERTICAL HEADER (78399) & RIGHT-ANGLE RECEPTACLE (78247)



Δ 5 MATED SYSTEM OPTIONS WITH 78399

THIS DRAWING CONTAINS INFORMATION THAT IS PROPRIETARY TO MOLEX ELECTRONIC TECHNOLOGIES, LLC AND SHOULD NOT BE USED WITHOUT WRITTEN PERMISSION		CURRENT REV DESC: MIGRATED TO NX		molex	
DIMENSION UNITS mm	SCALE NTS				
GENERAL TOLERANCES (UNLESS SPECIFIED)		EC NO: 612055		IMPACT POWER, 3 PAIR VERTICAL HEADER PRESS-FIT	
ANGULAR TOL	± 3.0 °	DRWN: JKUMARSARAFS	2019/01/17	PRODUCT CUSTOMER DRAWING	
4 PLACES	±	CHK'D: ABN	2019/02/14	DOCUMENT NUMBER	
3 PLACES	±	APPR: CWANG25	2019/03/05	SD-78399-001	
2 PLACES	± 0.25	INITIAL REVISION:		DOC TYPE	DOC PART
1 PLACE	±	DRWN: LNG	2008/06/12	PSD	001
0 PLACES	±	APPR: SHONG	2008/06/12	REVISION	
DRAFT WHERE APPLICABLE MUST REMAIN WITHIN DIMENSIONS		THIRD ANGLE PROJECTION	DRAWING	SERIES	SHEET NUMBER
			A3-SIZE	78399	2 OF 2
		MATERIAL NUMBER	CUSTOMER		
		SEE TABLE	GENERAL MARKET		