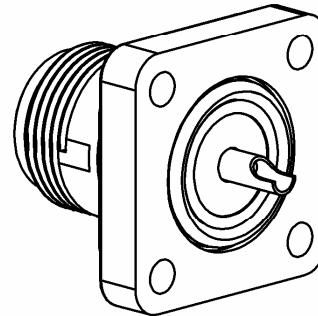
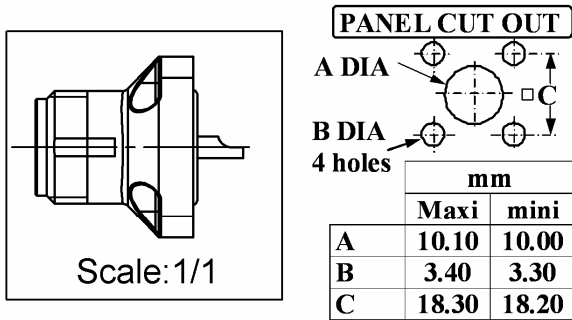
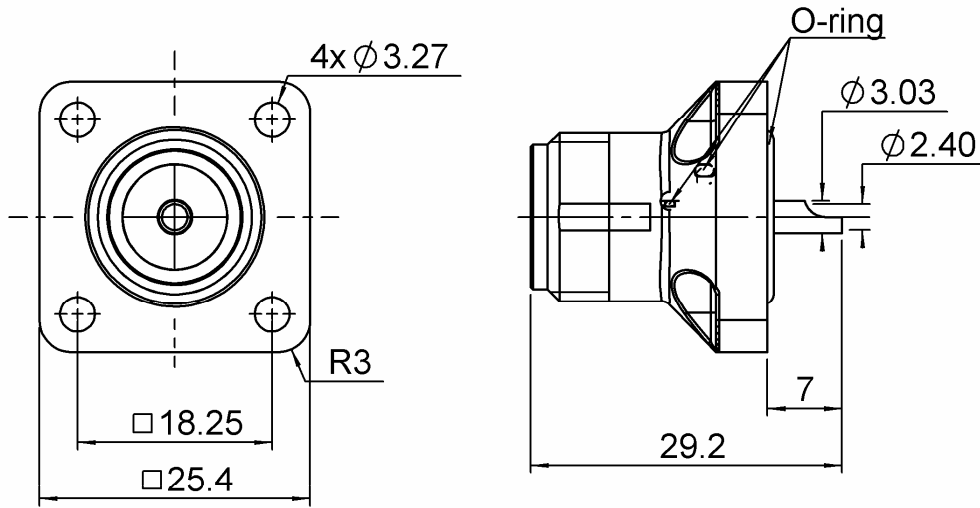


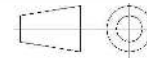
**COMPOSITE SQUARE FLANGE JACK RECEPTACLE
COMBINATION SEAL-WITH SOLDER POT CONTACT**

R161.404.C02

Series : N COMPOSITE



All dimensions are in mm.



COMPONENTS	MATERIALS	PLATING (µm)
BODY	COMPOSITE MATERIAL - BLACK	
CENTER CONTACT	BRONZE	SILVER 3 OVER COPPER 0.5
OUTER CONTACT	BRASS	BBR 2
INSULATOR	PTFE	
GASKET	SILICONE RUBBER	
OTHERS PARTS		
-	-	-
-	-	-

Issue : 0908 A

In the effort to improve our products, we reserve the right to make changes judged to be necessary.



**COMPOSITE SQUARE FLANGE JACK RECEPTACLE
COMBINATION SEAL-WITH SOLDER POT CONTACT**

R161.404.C02

Series : N COMPOSITE

PACKAGING

Standard	Unit	Other
50	'W' option	Contact us

SPECIFICATION

ELECTRICAL CHARACTERISTICS

Impedance	50	Ω
Frequency	0-11	GHz
VSWR	1.02* + 0.0200	x F(GHz) Maxi
Insertion loss	0.048	\sqrt{F} (GHz) dB Maxi
RF leakage	- (NA)	- F(GHz)) dB Maxi
Voltage rating	850	Veff Maxi
Dielectric withstanding voltage	2500	Veff mini
Insulation resistance	5000	M Ω mini

ENVIRONMENTAL

Operating temperature	-40/+85	$^{\circ}$ C
Hermetic seal	NA	Atm.cm3/s
Panel leakage	IP67	

OTHER CHARACTERISTICS

Assembly instruction **NA**

Others :

* Coaxial Transmission Line Only

*6-11GHz, VSWR:1.2 maxi

PIM3:-115dBm under 2 carriers of +43dBm

MECHANICAL CHARACTERISTICS

Center contact retention		
Axial force – Mating end	27	N mini
Axial force – Opposite end	27	N mini
Torque	2.8	N.cm mini
Recommended torque		
Mating	NA	N.cm
Panel nut	NA	N.cm
Mating life	500	Cycles mini
Weight	16.0100	g

Issue : 0908 A

In the effort to improve our products, we reserve the right to make changes judged to be necessary.

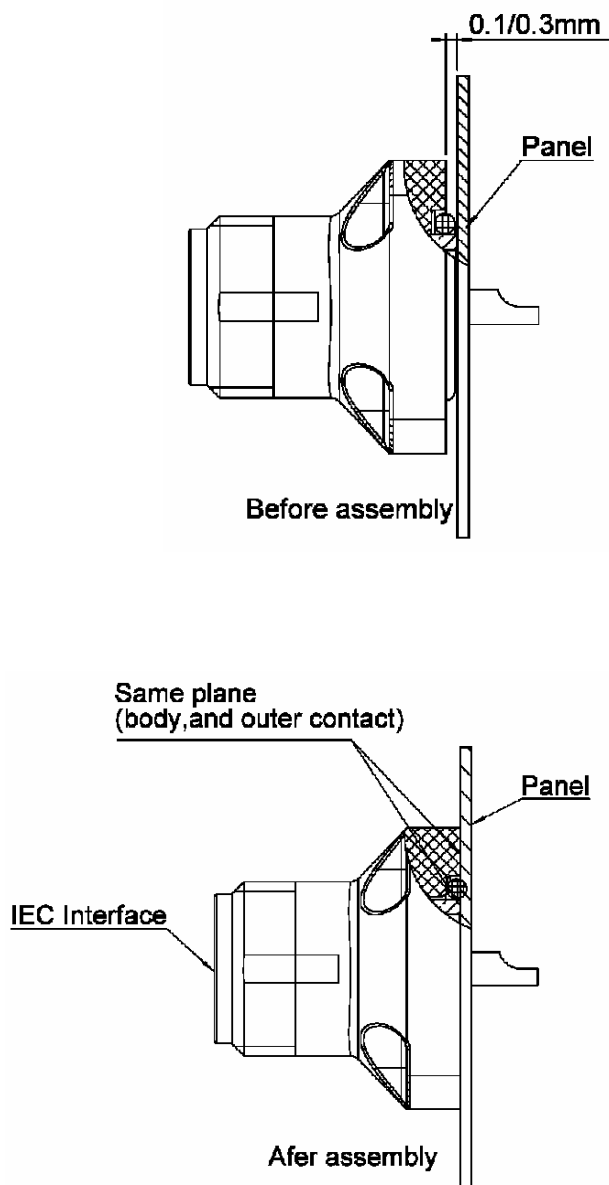


**COMPOSITE SQUARE FLANGE JACK RECEPTACLE
COMBINATION SEAL-WITH SOLDER POT CONTACT****R161.404.C02**

Series : N COMPOSITE

Assembly instruction

Prior to the installation, the outer contact is slightly protruded from the rear flange (0.1/0.3mm). During the installation, the outer contact is pushed inside the composite housing. In its final position, the outer contact is aligned with the rear flange, and in contact with the panel. During mating, the outer contact is pressed against the panel, reducing significantly the IM3 generation.



Issue : 0908 A

In the effort to improve our products, we reserve the right to make changes judged to be necessary.

RADIALL 