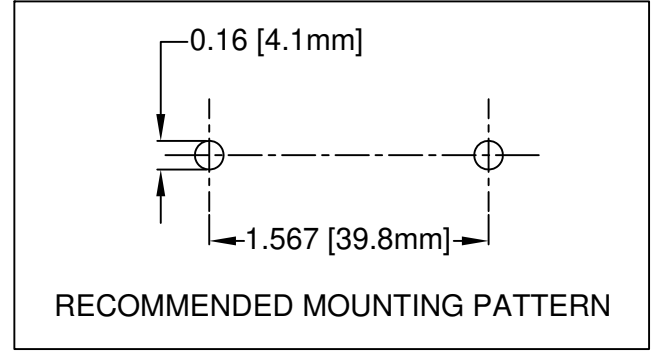
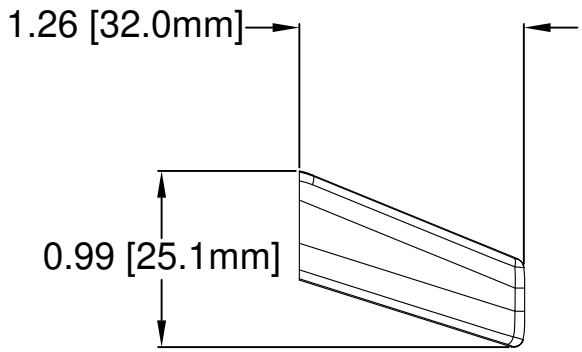
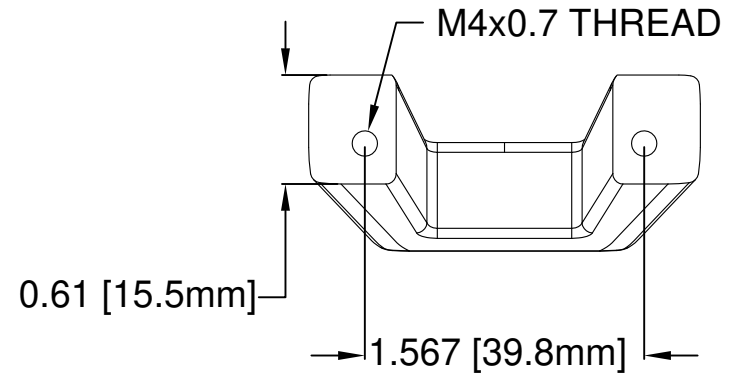
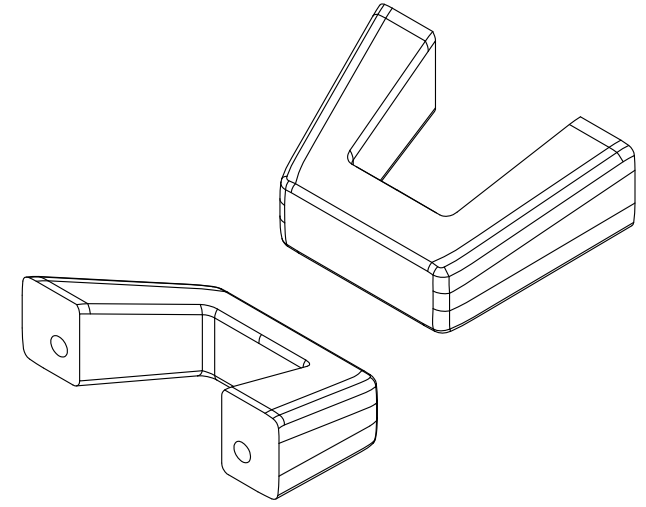
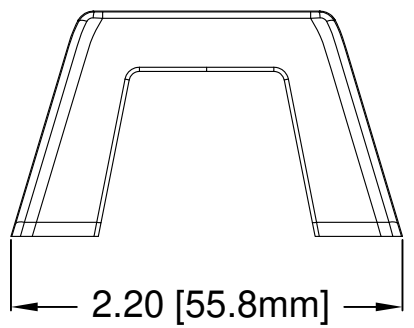
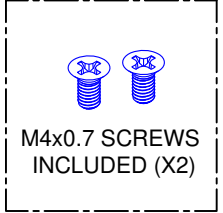


REV.	DESCRIPTION	DATE	APPROVED
A	Engineering Release	08/27/14	J. C.
B	Engineering Update w/o Changes	05/21/16	J. C.



NOTES:  
 1. MOUNTING HARDWARE SHIPPED UNASSEMBLED  
 2. MATERIAL: ALUMINUM

STANDARD TOLERANCE (UNLESS OTHERWISE SPECIFIED)		<b>BIVAR</b> <sup>®</sup> 4 THOMAS, IRVINE, CA. 92618 TEL: (949) 951-8808 FAX: (949) 951-3974		
DECIMALS	ANGULAR			
.X ± .1	X° ± 1°	<b>TITLE:</b> 2U SUBRACK HANDLE, RECTANGULAR <b>PART NO:</b> SRH-2RUT <b>REVISION:</b> B		
.XX ± .02				
.XXX ± .010		<b>DESIGNED:</b> A. Wright <b>CHECKED:</b> B. Oliver	<b>DATE:</b> 08/27/14 <b>DATE:</b> 08/27/14	<b>CAGE CODE :</b> 32559 <b>SHEET #</b> 1 OF 1
CAD GENERATED DOCUMENT. DO NOT MEASURE DRAWING.				