

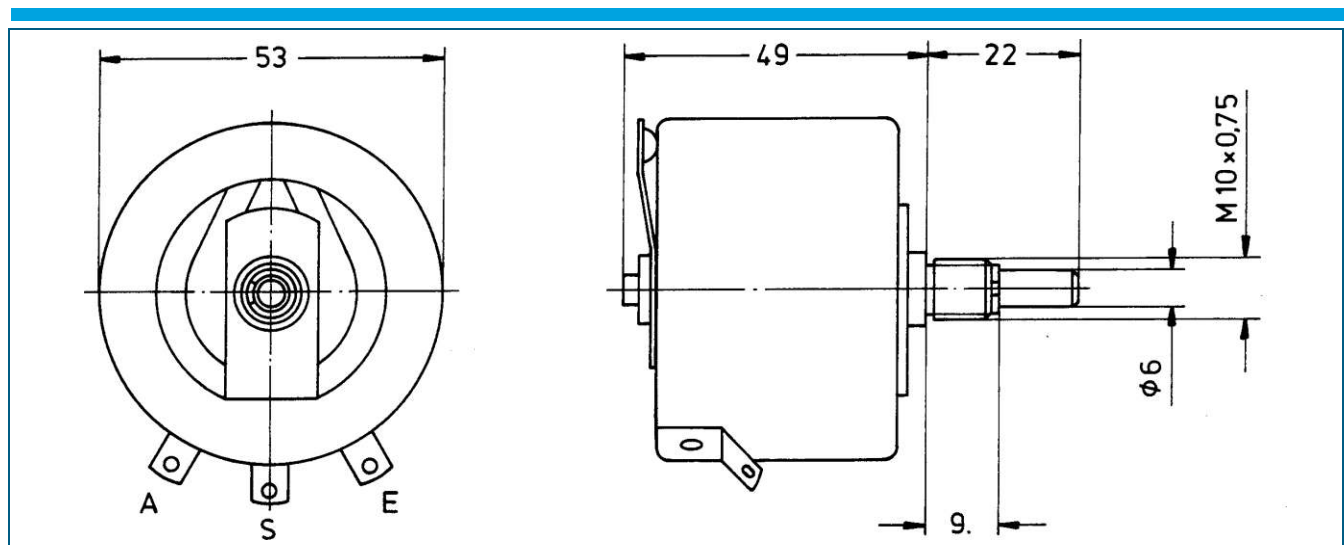
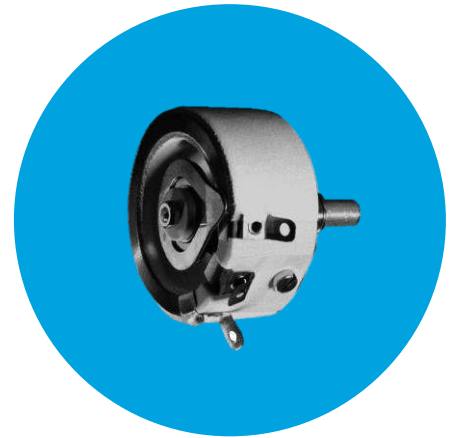
Heavy duty wirewound

Series 60 W

Type 60 W

Ordering code no.: 31 212

Basic design: high load, nominal width 53 mm,
solder tag terminals



Technical data

Rated resistance range	4.7 Ω - 4.7 kΩ *	Isolation voltage	2000 V eff
Resistance tolerance	± 10 %, (5 % , 2 %)	Electrical travel	262°
Law (resistance taper)	lin, lg on request	Mechanical travel	282°
Rated dissipation	60 W / 40 °C	Weight	approx. 160 g / piece

*higher values on request