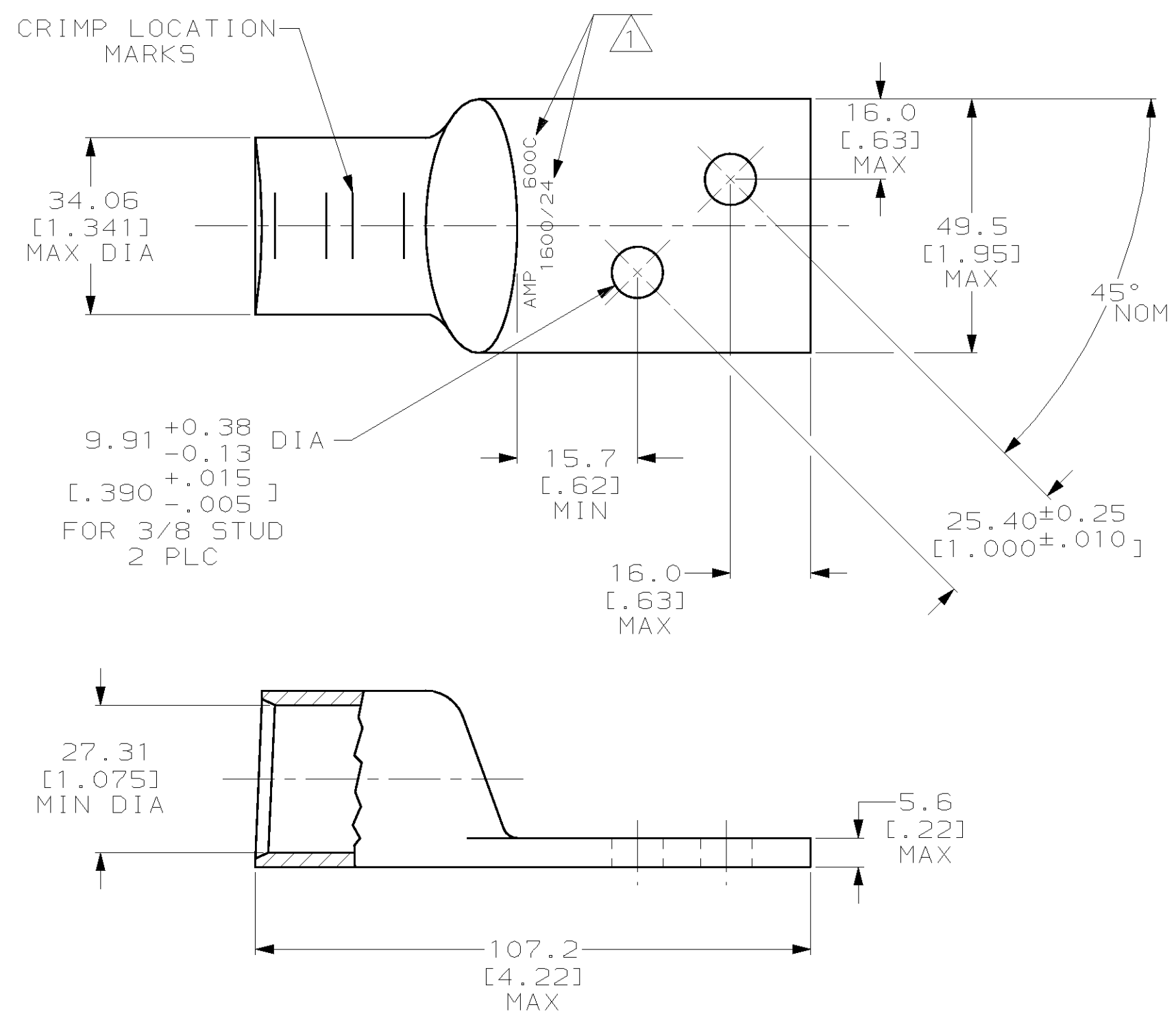


THIS DRAWING IS UNPUBLISHED. RELEASED FOR PUBLICATION ,19 .
 © COPYRIGHT 19 BY AMP INCORPORATED. ALL RIGHTS RESERVED.

LOC		DIST		REVISIONS					
G		86		P	LTR	DESCRIPTION	DATE	DWN	APVD
				A		REV PER 0G3A-0561-01	07OCT02	JR	MS



△ 1 STAMP AMP 600C 1600/24 APPROX AS SHOWN

184256-1
PART NUMBER

AMP INCORPORATED
CUSTOMER SERVICE SYSTEMS

FOR ADDITIONAL PRODUCT INFORMATION OR COPIES OF DRAWINGS AND TECHNICAL DOCUMENTS: PRODUCT INFORMATION CENTER 1-800-522-6752

FOR APPLICATION TOOLING INFORMATION: TOOLING ASSISTANCE CENTER 1-800-722-1111

FOR ORDER ENTRY: 1-800-526-5142

RECOMMENDED OPERATING TEMPERATURE: 170° MAX

VOLTAGE RATING: NOT APPLICABLE

WIRE CROSS SECTIONAL AREA RANGE: 0.28-0.33mm² [550-650] MCM SOLID OR STRANDED

THIS DRAWING IS A CONTROLLED DOCUMENT FOR AMP INCORPORATED. IT IS SUBJECT TO CHANGE AND THE CONTROLLING ENGINEERING ORGANIZATION SHOULD BE CONTACTED FOR THE LATEST REVISION.

DIMENSIONS:	TOLERANCES UNLESS OTHERWISE SPECIFIED:
mm [INCHES]	
	0 PLC ±-
	1 PLC ±-
	2 PLC ±0.20 [.008]
	3 PLC ±-
	4 PLC ±-
	ANGLES ±-

MATERIAL: COPPER PER ASTM B-75 ANNEALED

FINISH: TIN PLATE 0.00381 [.000150] MIN THK PER MIL-T-10727

DWN	DK SCHRUM	12MAY95
CHK	WJ VOCKROTH	15JAN96
APVD	JL MECKLEY	15JAN96
PRODUCT SPEC	108-30200	
APPLICATION SPEC	-	
WEIGHT	.50 lbs	

AMP AMP Incorporated
 Harrisburg, PA 17105-3608

NAME: **TERMINAL, AMPPOWER, WIRE SIZE: 600 MCM**

SIZE: A3 CAGE CODE: 00779 DRAWING NO: C-184256

SCALE: 1:1 SHEET: 1 OF 1 REV: A

CUSTOMER DRAWING