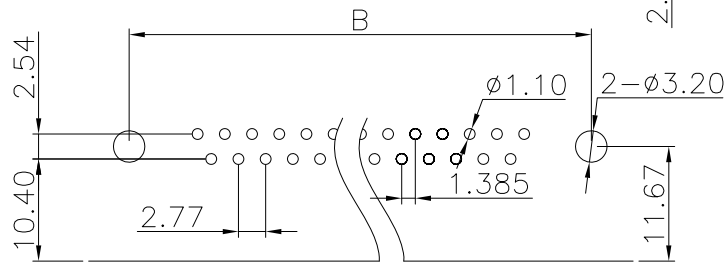
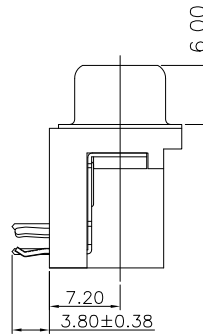
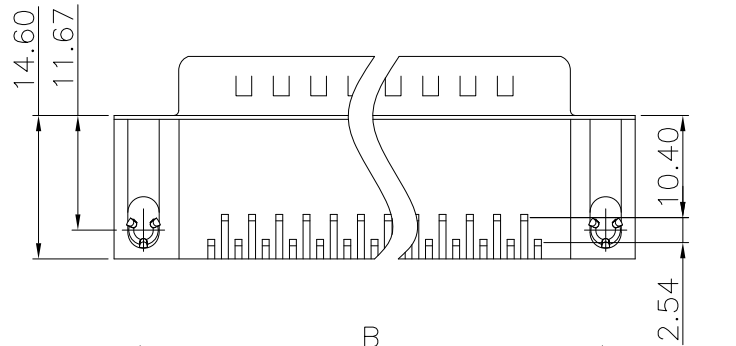
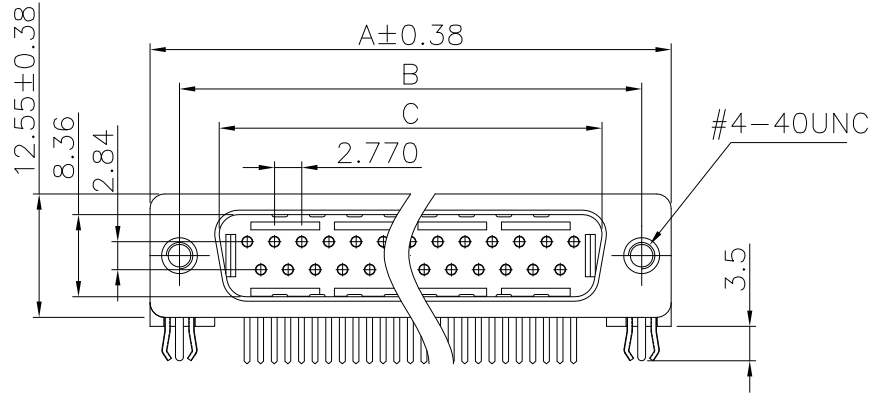


This document is the property of Amphenol Corporation and is delivered on the express condition that it is not to be disclosed, reproduced or used, in whole or in part, for manufacture or sale by anyone other than Amphenol Corporation without its prior consent, & that no right is granted to disclose or to use any information in this document.

Customer drawing



RECOMMENDED P.C.B LAYOUT
(TOLERANCE +/-0.05)



Dimensions

Positions	A	B	C
9	30.81	24.99	16.92
15	39.19	33.32	25.25
25	53.04	47.04	38.96
37	69.32	63.50	55.42

REVISIONS

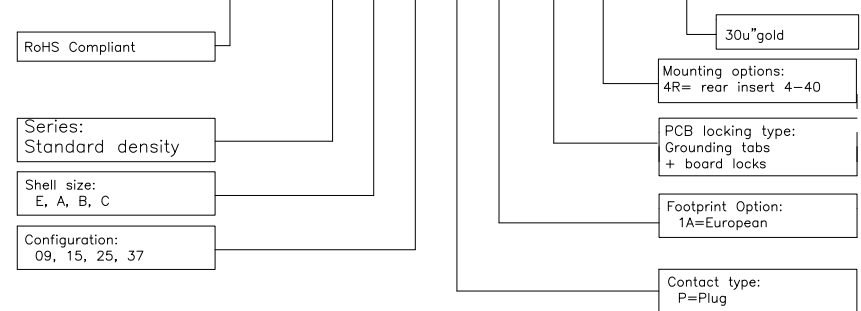
SYM	ECN	DESCRIPTION	DATE	APPROVED
1	HK--	First Release Drawing	03/14/08	IP
2	HK--	Update the Drawing	10/08/11	IP
3	HK--	Update the Drawing	04/02/14	IP

D-SUB TECHNICAL DATA

SHELL : SPCC, 80u" min nickel over 50u" min Copper
 BODY : PBT, UL 94V-0, Color:Black.
 CONTACTS : Copper alloy
 30u" gold over 50u" nickel on mating area
 100u" tin over 50u" nickel on solder area
 BOARDLOCK: Copper Alloy, Tin Plated.
 RIVET: Copper Alloy, Nickel Plated.
 ELECTRICAL : Voltage rating 250 VAC (RMS)
 Current Rating :3 AMP
 Withstanding Voltage >1000 VAC(RMS)
 Insulation resistance >1000 M Ohms
 Contact resistance 25 mOhms max
 MARKING : Amphenol...(Series No.)
 Commercial reference
 Manufacturing date

PRODUCT CODE

L 717 SD X XX P 1A CH 4R C309



UNLESS OTHERWISE SPECIFIED TOLERANCES		APPROVAL	DATE
.X	+/- 0.50	DRAWN Felice Liu	04/02/14
.XX	+/- 0.30	CHECKED Tony Tang	04/02/14
.XXX	+/- 0.20	CHECKED	
FRACTIONS	+/- 5'	DRAWING FILE :	
ANGLES	+/-	ANGLE OF PROJECTION	
FOR MATERIALS AND FINISHES SEE NOTES		DIMENSIONS	
REMOVE SHARP EDGES		U.S. INCHES	
		METRIC MM	

Amphenol		SIZE	DRAWING NO.	REV.
Amphenol East Asia Limited		A4	L717SDXXXP1ACH4RC309	3
D-SUB Connector,SD series		SCALE	NONE	SHEET 1 OF 1