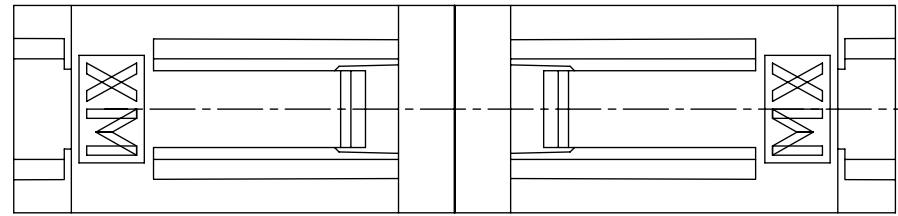
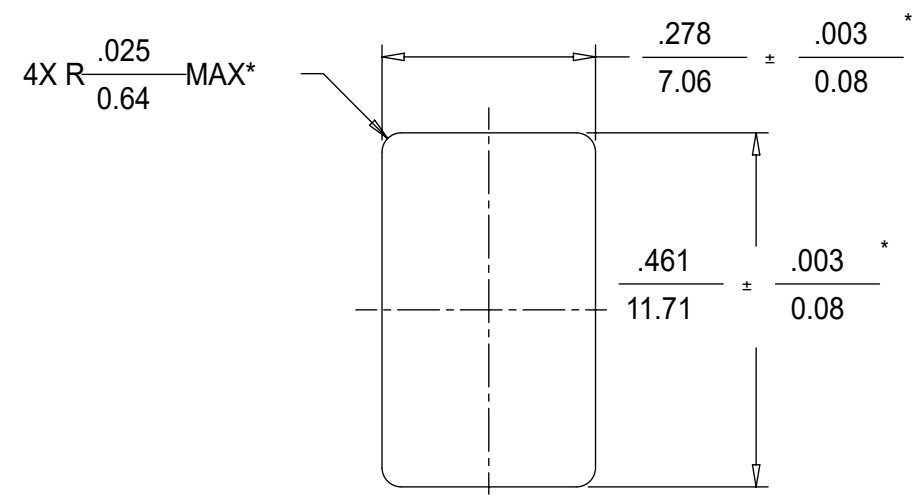
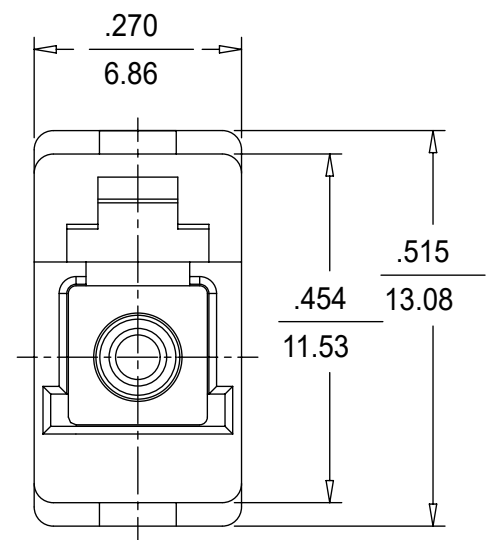
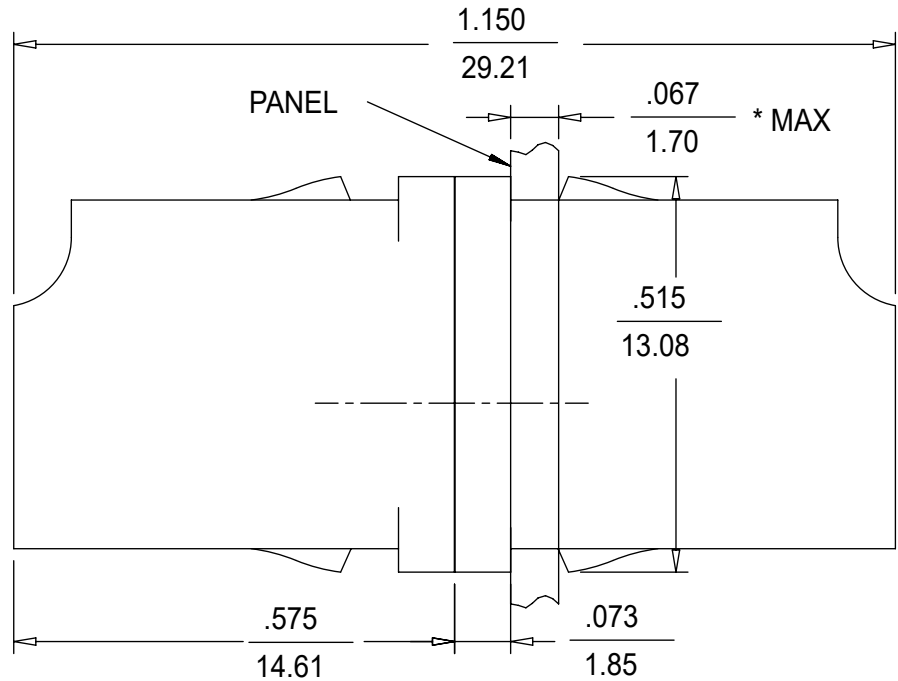


ADAPTER P/N	COLOR	SPLIT SLEEVE MATERIAL
106124-1100	BLUE	ZIRCONIA - ZrO ₂
106124-0110	BEIGE	
106124-1150	GREEN	
106124-0100	BLUE	
106124-1110	BEIGE	
106124-1130	BLACK	



(DUST CAPS ARE NOT SHOWN)



RECOMMENDED PANEL CUTOUT

PANEL THICKNESS $\frac{.067}{1.70}$ MAX.

NOTES:
1. ALL DIMENSIONS ARE FOR REFERENCE ONLY, EXCEPT WHEN MARKED WITH (*).

FUNCTIONAL SYMBOLS	THIS DRAWING CONTAINS INFORMATION THAT IS PROPRIETARY TO MOLEX ELECTRONIC TECHNOLOGIES, LLC AND SHOULD NOT BE USED WITHOUT WRITTEN PERMISSION		CURRENT REV DESC:		molex				
	DIMENSION UNITS	SCALE							
$\nabla_A = 0$	INCH/MM	1:1	EC NO: 652962		LC ADAPTER				
$\nabla_B = 0$	GENERAL TOLERANCES (UNLESS SPECIFIED)		DRWN: SKRISHNAMU01 2021/05/28						
$\nabla_C = 0$	ANGULAR TOL ± 0.5°		CHK'D: WCHEN 2021/08/24						
DIVISIONAL SYMBOLS	4 PLACES ±		APPR: WCHEN 2021/08/24		PRODUCT CUSTOMER DRAWING				
	3 PLACES ±		INITIAL REVISION:						
	2 PLACES ±		DRWN: PGIBLIN 2005/10/25		DOCUMENT NUMBER				
	1 PLACE ±		APPR: IGUMIN 2005/10/26						
	0 PLACES ±				SD-106124-X1X0				
DRAFT WHERE APPLICABLE MUST REMAIN WITHIN DIMENSIONS		THIRD ANGLE PROJECTION	DRAWING	SERIES	MATERIAL NUMBER	CUSTOMER	DOC TYPE	DOC PART	REVISION
			B-SIZE	106124	SEE TABLE	GENERAL MARKET	PSD	001	C
									SHEET NUMBER
									1 OF 1