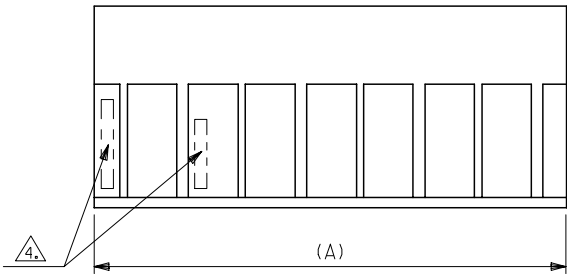
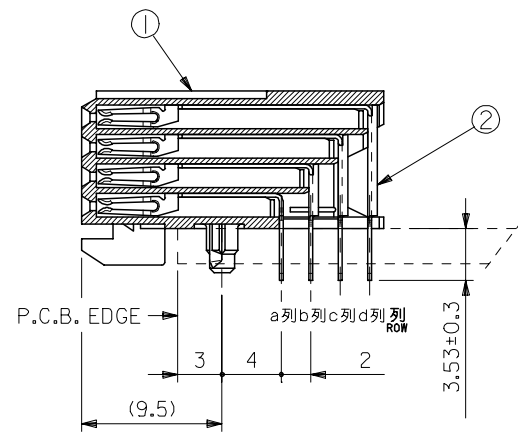
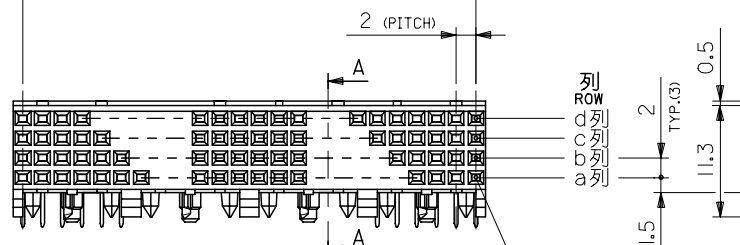


10 9 8 7 6 5 4 3 2 1

番号 No.	部品 PART NAME	材質 MATERIAL	仕上げ FINISH
①	リセプタクル ハウジング RECEPTACLE HOUSING	液晶ポリマー、ガラス充填、自然色(白)、UL94V-0 LIQUID CRYSTAL POLYMER, GLASS FILLED, NATURAL(WHITE), UL94V-0	—
②	リセプタクル ターミナル RECEPTACLE TERMINAL	リン青銅 PHOSPHOR BRONZE	⚠



(PIN/ROW - 1) x PITCH = (B)

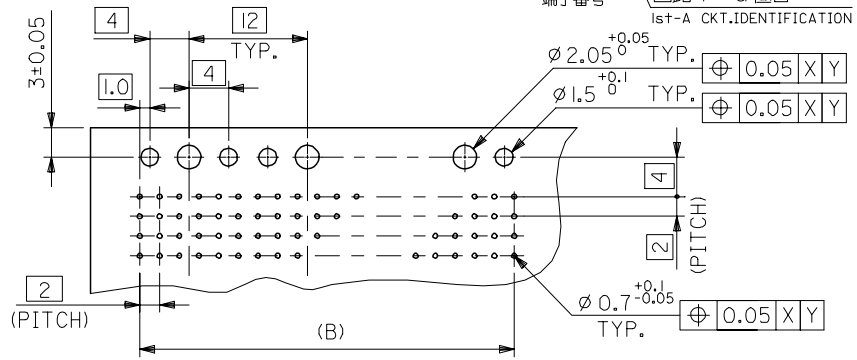


A-A
(NON-SCALE)

注記
NOTE :

- ⚠ ターミナル めっき仕様
TERMINAL PLATING
金めっき: 0.76 μm MIN. (接点部)
GOLD: 0.76 μm MIN. (CONTACT AREA)
TIN: 1.0~2.5 μm (半田付け部)
SOLDER AREA)
ニッケルメッキ: 2.0 μm MIN. (下地めっき)
NICKEL: 2.0 μm MIN. (UNDER PLATING)
- 2. 推奨基板厚: t=2.4mm
RECOMMENDED P.C.B. THICKNESS: t=2.4mm
- 3. 適合プラグ: 53901-***5, 55222-***5, 55089-***5
APPLICABLE PLUG:
- ⚠ 製品番号及びロットナンバー
MATERIAL NO. & LOT NO.

106	107.98	54867-2169	216
94	95.98	54867-1929	192
58	59.98	54867-1209	120
10	11.98	54867-0249	24
B	A	MATERIAL NO.	PIN



基板穴推奨寸法 (部品実装)

RECOMMENDED P.C.B. LAYOUT (COMPONENT SIDE)

MODIFICATION	DESCRIPTION	QUALITY SYMBOLS
EC NO: S150000070575	DRWN: Felix Wang 2007/01/11	▽=0
CHKD: Harvey Wang 2007/01/11	APPR:	◇=0
REV		

GENERAL TOLERANCES (UNLESS SPECIFIED)	
mm	INCH
4 PLACES ± ---	± ---
3 PLACES ± ---	± ---
2 PLACES ± ---	± ---
1 PLACE ± ---	± ---
ANGULAR ± 1 °	

DIMENSION STYLE	
MM ONLY	
DRAWN BY	DATE
FWANG	04/09/26
CHECKED BY	DATE
GMA	04/09/27
APPROVED BY	DATE
VINCENT	04/09/27
MATERIAL NO.	DOCUMENT NO.
SEE TABLE	SD-54867-005

SCALE		DESIGN UNITS		THIRD ANGLE PROJECTION	
MM ONLY		METRIC		◎ □	
MFB B/B CONN 4ROW REC. ASS'Y DIP TYPE (LEAD FREE)					
MOLEX INCORPORATED					
SHEET NO.				1 OF 1	
DRAFT WHERE APPLICABLE MUST REMAIN WITHIN DIMENSIONS					
THIS DRAWING CONTAINS INFORMATION THAT IS PROPRIETARY TO MOLEX INCORPORATED AND SHOULD NOT BE USED WITHOUT WRITTEN PERMISSION					

9 8 7 6 5 4 3 2 1