

# IOA REL 24V DI/BFI/1.0A/EX - Relay Module



2910155

<https://www.phoenixcontact.com/us/products/2910155>

Please be informed that the data shown in this PDF document is generated from our online catalog. Please find the complete data in the user documentation. Our general terms of use for downloads are valid.



Relay module for VIP I/O-Marshalling base elements. For the electrically isolated coupling of 24 V DC field devices to digital inputs. Integrated fuse and fuse failure indication.

## Product description

Relay module for digital input signals for the electrically isolated coupling of 24 V DC field devices. The control path is protected by an integrated replaceable 1 A fuse. If the fuse fails, this is indicated by an LED. The module is installed on a corresponding VIP I/O-Marshalling base element by means of plug-in contact. Installation in zone 2, "ec" type of protection is permitted.

## Your advantages

- Power line blown fuse indication
- Active relay coil indication
- Two-stage progressive release allowing for voltage checks with field-powered devices
- Channel for marking accessories
- Replaceable TE5-style fusing
- 24 V internal marshalling option for connected field device
- Integrated keying reduces possible user error during replacement

## Commercial data

Item number	2910155
Packing unit	1 pc
Note	Made to order (non-returnable)
Sales key	C480
Product key	CK8221
Catalog page	Page 556 (C-5-2017)
GTIN	4055626447292
Weight per piece (including packing)	69.8 g
Weight per piece (excluding packing)	69.8 g
Customs tariff number	85364190
Country of origin	US

## Technical data

### Notes

#### Utilization restriction

EMC note	EMC: class A product, see manufacturer's declaration in the download area
----------	---

### Product properties

Product type	Relay Module
Product family	VIP I/O-Marshalling
Application	Input function
Operating mode	100% operating factor
Mechanical service life	2x 10 <sup>7</sup> cycles

#### Insulation characteristics

Overvoltage category	II
Pollution degree	2

### Input data

#### Coil side

Nominal input voltage $U_N$	24 V DC
Input voltage range in reference to $U_N$	0.9 ... 1.1
Typical input current at $U_N$	7 mA
Typical response time	5 ms
Typical release time	8 ms
Protective circuit	Reverse polarity protection; Polarity protection diode Freewheeling diode; Freewheeling diode
Operating voltage display	Yellow LED

### Output data

#### Switching

Contact switching type	1 N/O contact
Type of switch contact	Single contact
Contact material	AgSnO, hard gold-plated
Maximum switching voltage	24 V DC
Minimum switching voltage	100 mV (at 10 mA)
Limiting continuous current	50 mA
Maximum inrush current	50 mA
Min. switching current	1 mA (at 24 V)
Interrupting rating (ohmic load) max.	1.2 W (at 24 V DC)

### Connection data

# IOA REL 24V DI/BFI/1.0A/EX - Relay Module



2910155

<https://www.phoenixcontact.com/us/products/2910155>

## Control circuits

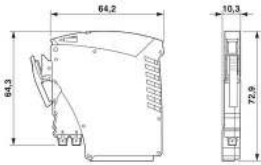
Connection method	Pin strip
-------------------	-----------

## Ex data

### Safety data

Input voltage $U_i$	24 V DC
Input current $I_i$	7 mA

## Dimensions

Dimensional drawing	
Width	10.3 mm
Height	64.2 mm
Depth	72.9 mm

## Material specifications

Flammability rating according to UL 94	V0
--	----

## Environmental and real-life conditions

### Ambient conditions

Degree of protection	IP20
Ambient temperature (operation)	-40 °C ... 70 °C
Ambient temperature (storage/transport)	-40 °C ... 70 °C
Altitude	≤ 2000 m
Permissible humidity (operation)	0 % ... 95 % (non-condensing)

## Approvals

### ATEX

Identification	⊕ II 3G Ex ec nC IIC T4 Gc
Certificate	Sira 17ATEX4293X

### IECEX

Identification	Ex ec nC IIC T4 Gc
Certificate	IECEX SIR 17.0078X

### UKEX

Identification	⊕ II 3G Ex ec nC IIC T4 Gc
Certificate	PxCIF23UKEX2910153X

UL, USA/Canada

# IOA REL 24V DI/BFI/1.0A/EX - Relay Module



2910155

<https://www.phoenixcontact.com/us/products/2910155>

Identification	Class I, Div. 2, Groups A, B, C, D T4
	Class I, Zone 2, IIC T4

## CSA, USA/Canada

Identification	Class I, Div. 2, Groups A, B, C, D T4
	Class I, Zone 2, AEx ec nC IIC T4 Gc
	Ex ec nC IIC T4 Gc

## Standards and regulations

Standards/regulations	IEC 60664
	DIN EN 50178

## Mounting

Mounting type	Plug-in mounting
Assembly instructions	Plugs into VIP/...BASE...

# IOA REL 24V DI/BFI/1.0A/EX - Relay Module

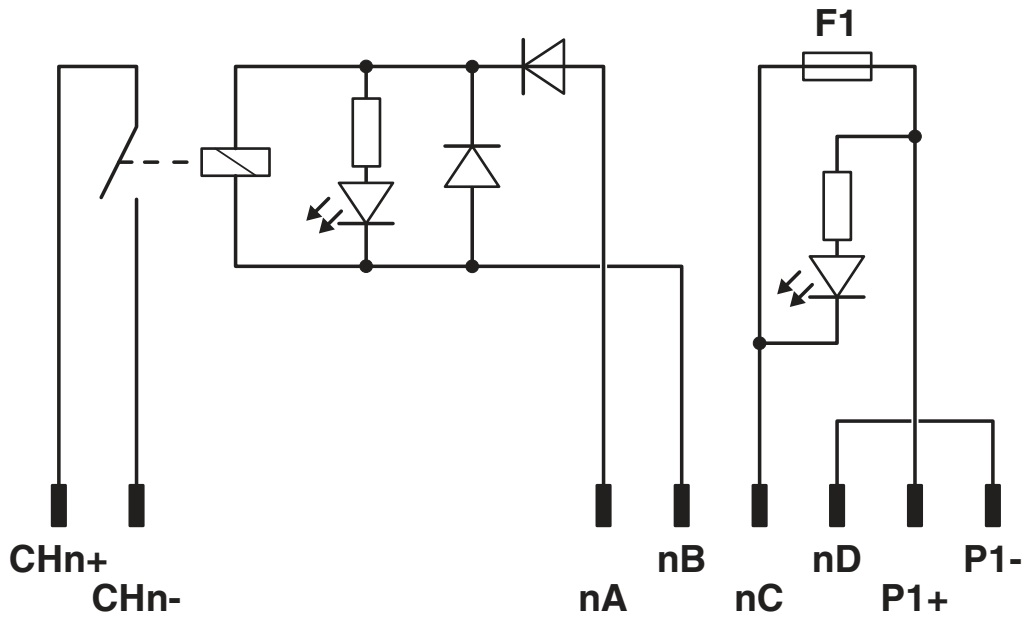


2910155

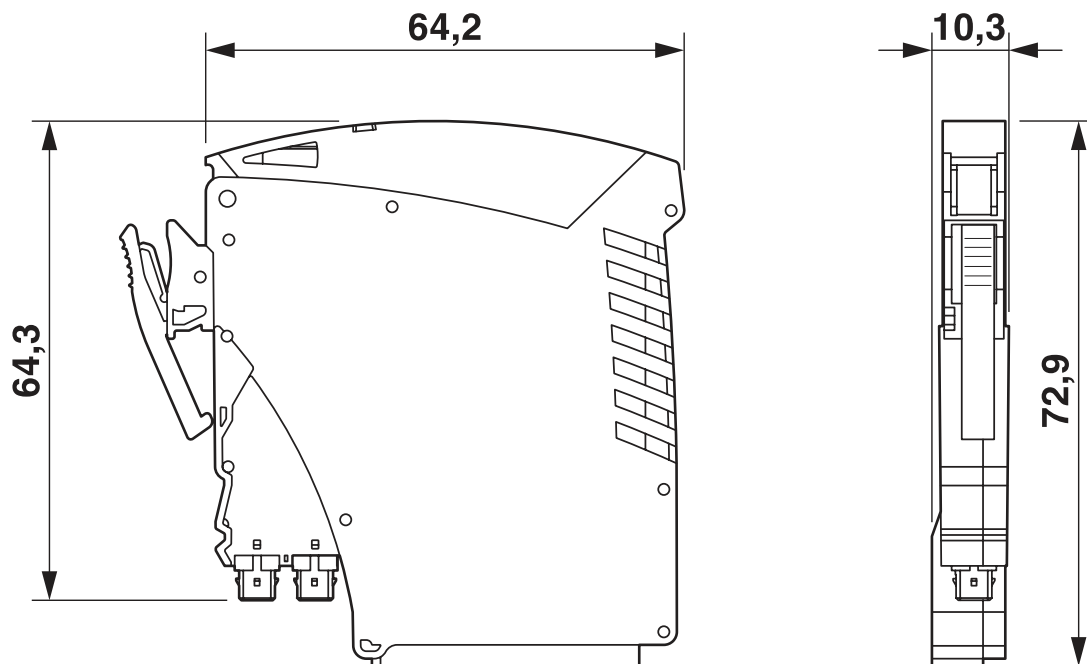
<https://www.phoenixcontact.com/us/products/2910155>

## Drawings

Circuit diagram



Dimensional drawing



# IOA REL 24V DI/BFI/1.0A/EX - Relay Module



2910155

<https://www.phoenixcontact.com/us/products/2910155>

## Approvals

To download certificates, visit the product detail page: <https://www.phoenixcontact.com/us/products/2910155>



**IECEx**

Approval ID: IECEx SIR 17.0078X



**ATEX**

Approval ID: SIRA 17 ATEX 4293X



**CSA**

Approval ID: 70134758



**FM approved**

Approval ID: FM19US0089X



**CSAus**

Approval ID: 70134758

**cCSAus**

# IOA REL 24V DI/BFI/1.0A/EX - Relay Module



2910155

<https://www.phoenixcontact.com/us/products/2910155>

## Classifications

### ECLASS

ECLASS-11.0	27371601
ECLASS-12.0	27371601
ECLASS-13.0	27371601

### ETIM

ETIM 8.0	EC001437
----------	----------

### UNSPSC

UNSPSC 21.0	39122300
-------------	----------

# IOA REL 24V DI/BFI/1.0A/EX - Relay Module



2910155

<https://www.phoenixcontact.com/us/products/2910155>

## Environmental product compliance

REACH SVHC	Lead 7439-92-1
China RoHS	Environmentally Friendly Use Period = 50 years
	For information on hazardous substances, refer to the manufacturer's declaration available under "Downloads"



# IOA REL 24V DI/BFI/1.0A/EX - Relay Module



2910155

<https://www.phoenixcontact.com/us/products/2910155>

## Mandatory accessories

### VIP/S/MC/BASE 1-8/L/EX - Base module

2906596

<https://www.phoenixcontact.com/us/products/2906596>



8-channel VIP I/O marshalling base element for universal use. All connections as screw connection technology. With the COMBICON connector, compatible with the Honeywell C300 and RUSIO series. Marking for channels 1–8.

---

### VIP/S/MC/BASE 9-16/L/EX - Base module

2906630

<https://www.phoenixcontact.com/us/products/2906630>



8-channel VIP I/O marshalling base element for universal use. All connections as screw connection technology. With the COMBICON connector, compatible with the Honeywell C300 and RUSIO series. Marking for channels 9–16.

# IOA REL 24V DI/BFI/1.0A/EX - Relay Module



2910155

<https://www.phoenixcontact.com/us/products/2910155>

## VIP/S/MC/BASE 17-24/L/EX - Base module

2907024

<https://www.phoenixcontact.com/us/products/2907024>



8-channel VIP I/O marshalling base element for universal use. All connections as screw connection technology. With the COMBICON connector, compatible with the Honeywell C300 and RUSIO series. Marking for channels 17–24.

---

## VIP/S/MC/BASE 25-32/L/EX - Base module

2907025

<https://www.phoenixcontact.com/us/products/2907025>



8-channel VIP I/O marshalling base element for universal use. All connections as screw connection technology. With the COMBICON connector, compatible with the Honeywell C300 and RUSIO series. Marking for channels 25–32.

# IOA REL 24V DI/BFI/1.0A/EX - Relay Module



2910155

<https://www.phoenixcontact.com/us/products/2910155>

## VIP/S/MC/BASE 1-8/L/C/EX - Base module

2907186

<https://www.phoenixcontact.com/us/products/2907186>



8-channel VIP I/O marshalling base element for universal use. All connections as screw connection technology. With the COMBICON connector, compatible with the Honeywell C300 and RUSIO series. Marking for channels 1–8 and painting.

---

## VIP/S/MC/BASE 9-16/L/C/EX - Base module

2907187

<https://www.phoenixcontact.com/us/products/2907187>



8-channel VIP I/O marshalling base element for universal use. All connections as screw connection technology. With the COMBICON connector, compatible with the Honeywell C300 and RUSIO series. Marking for channels 9–16 and painting.

# IOA REL 24V DI/BFI/1.0A/EX - Relay Module



2910155

<https://www.phoenixcontact.com/us/products/2910155>

## VIP/S/MC/BASE 17-24/L/C/EX - Base module

2907209

<https://www.phoenixcontact.com/us/products/2907209>



8-channel VIP I/O marshalling base element for universal use. All connections as screw connection technology. With the COMBICON connector, compatible with the Honeywell C300 and RUSIO series. Marking for channels 17–24 and painting.

---

## VIP/S/MC/BASE 25-32/L/C/EX - Base module

2907210

<https://www.phoenixcontact.com/us/products/2907210>



8-channel VIP I/O marshalling base element for universal use. All connections as screw connection technology. With the COMBICON connector, compatible with the Honeywell C300 and RUSIO series. Marking for channels 25–32 and painting.

# IOA REL 24V DI/BFI/1.0A/EX - Relay Module



2910155

<https://www.phoenixcontact.com/us/products/2910155>

## VIP/S/D25M/BASE 1-8/L/C/EX - Base module

2906595

<https://www.phoenixcontact.com/us/products/2906595>



8-channel VIP I/O marshalling base element for universal use. All connections as screw connection technology. This module with the D-SUB 25 connector is pin compatible with the Foxboro I/A series DCS.

---

## VIP/MSTB/D50M/BASE/16CH/CX/EX - Base module

2908788

<https://www.phoenixcontact.com/us/products/2908788>



16-channel VIP I/O marshalling base element for universal use. Plug-in field and supply terminals available as accessories. Either with screw or Push-in connection technology. Compatible with the Tricon CX DCS series (D-SUB 50).

---

## Accessories

# IOA REL 24V DI/BFI/1.0A/EX - Relay Module



2910155

<https://www.phoenixcontact.com/us/products/2910155>

## UC-TM 6 - Marker for terminal blocks

0818085

<https://www.phoenixcontact.com/us/products/0818085>



Marker for terminal blocks, Sheet, white, unlabeled, can be labeled with: BLUEMARK ID COLOR, BLUEMARK ID, BLUEMARK CLED, PLOTMARK, CMS-P1-PLOTTER, mounting type: snapped, for terminal block width: 6.2 mm, lettering field size: 5.6 x 10.5 mm, Number of individual labels: 80

---

## ZB 5,08:UNBEDRUCKT - Zack marker strip

0809793

<https://www.phoenixcontact.com/us/products/0809793>



Zack marker strip, Strip, white, unlabeled, can be labeled with: PLOTMARK, CMS-P1-PLOTTER, mounting type: snapped, for terminal block width: 5.08 mm, lettering field size: 4.98 x 10.5 mm, Number of individual labels: 10

# IOA REL 24V DI/BFI/1.0A/EX - Relay Module



2910155

<https://www.phoenixcontact.com/us/products/2910155>

## B-STIFT - Marker pen

1051993

<https://www.phoenixcontact.com/us/products/1051993>



Marker pen, for manual labeling of unprinted Zack strips, smear-proof and waterproof, line thickness 0.5 mm

---

## FUSE/TE5/1A/F-10PCS - Fuse set

2905277

<https://www.phoenixcontact.com/us/products/2905277>



Plug-in fuse (TE5<sup>®</sup>); nominal current: 1 A; tripping behavior: fast-blow (F)

---

Phoenix Contact 2023 © - all rights reserved  
<https://www.phoenixcontact.com>

Phoenix Contact USA  
586 Fulling Mill Road  
Middletown, PA 17057, United States  
(+717) 944-1300  
[info@phoenixcon.com](mailto:info@phoenixcon.com)