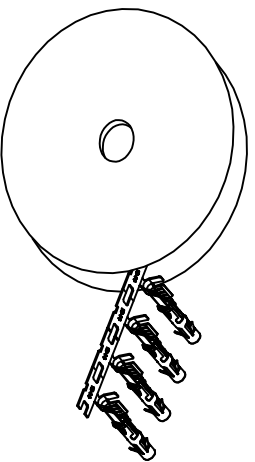


REVISIONS				
REV	ECO	DESCRIPTION	DATE	BY APPR
A1	-	RELEASED DRAWING	Jul-16-18	Flan Tommy

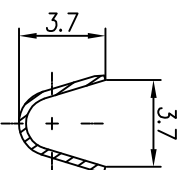


CONTACT ORIENTATION ON ROLL(3000PCS/COIL)

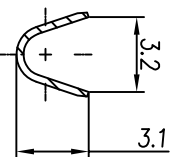
NOTES : (UNLESS OTHERWISE SPECIFIED)

1. MATERIAL :
 - 1.1. CONTACT BODY : COPPER ALLOY.
 - 1.2. OUTER SPRING : STAINLESS STEEL.
2. SPECIFICATIONS :
 - 2.1. CURRENT RATING : 13A MAX.
 - 2.2. TERMINATION TYPE : CRIMPING.
 - 2.3. WIRE RANGE : 14~16AWG.
 - 2.4. WIRE INSULATION DIA(MAX) : ϕ 3.2mm.
3. RoHS COMPLIANT.
4. ALL DIMENSIONS ARE FOR REFERENCE USE ONLY.
5. AVAILABLE TOOLS :
 - 5.1. HAND CRIMPER : MFX-3954.
 - 5.2. CRIMP APPLICATOR : MFX-3957.
 - 5.3. EXTRACTION TOOL : QXRTL16.

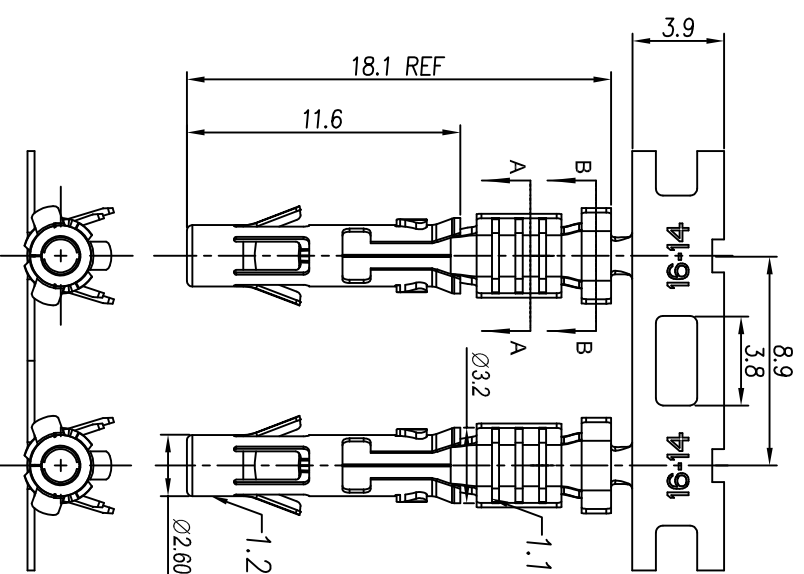
P/N	CONTACT PLATING(MATING AREA)
SS14M2T	TIN PLATING OVER NICKEL.
SS14M2N	NICKEL PLATING OVER COPPERIZE.
SS14M2F	GOLD FLASH PLATING OVER NICKEL.
SS14M2G5	5 μ "GOLD PLATING OVER NICKEL.
SS14M2G10	10 μ "GOLD PLATING OVER NICKEL.
SS14M2G15	15 μ "GOLD PLATING OVER NICKEL.
SS14M2G30	30 μ "GOLD PLATING OVER NICKEL.



SECTION A-A



SECTION B-B



QUANTITY	PART NUMBER	DESCRIPTION	ITEM
MATERIALS LIST			

UNLESS OTHERWISE SPECIFIED	SIGNATURES	DATE
1) All dimensions are in millimeters. 2) Tolerances are as follows: 1 PL, DEC & 0.30 Fractions, ±1/4 3 PL, DEC & 0.08 Angles, 1°	Flan	Jul-16-18
3) Note reference = \triangle	Tommy	Jul-16-18
MATERIAL SPECIFICATIONS:	CUSTOMER:	ECO-MATE SOCKET CONTACT, STAMPED, 14-16AWG, SIZE 16

PROCESS SPECIFICATIONS:	SIZE	TYPE	DWG NO	REVISION
TEST ASST:	B	C-	SS14M2XX	A1
	SCALE: NONE		SHEET 1	OF 1

Amphenol

Sine Systems - www.amphenol-sine.com
44724 Morley Drive
Clinton Township, MI 48036

ECO-MATE SOCKET CONTACT,
STAMPED, 14-16AWG, SIZE 16